


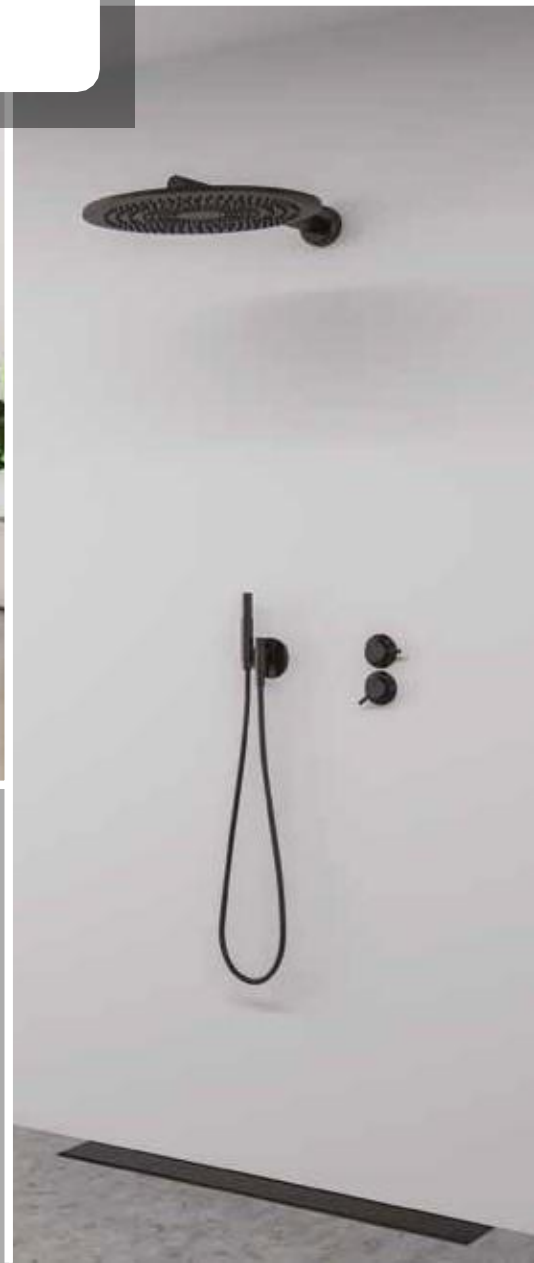


SCHWAB



By:
 SCHWAB

PRODUCT CATALOGUE 2023





COMPLETE RANGE OF SANITARY SOLUTIONS

Fluidmaster is a global supplier of an extensive range of sanitary solutions, actively sold under the Fluidmaster®, LIV®, SCHWAB® and WISA® brands.

The enduring strength of Fluidmaster is based upon our never ending focus on customer satisfaction and innovation in all that we do.

We believe this focused and strategic approach to global growth is the best way to expand our footprint on a market by market basis as well as to support our manufacturing, distribution and business partners worldwide.

Through our recognized strong brands, now enhanced with Fluidmaster flushing technology, we provide a complete range of high quality products: concealed and exposed cisterns, frames for urinals, washbasins and bidets, shower drains and traps, toilet seats, fill and flush valves as well as many other accessories for the bathroom or sanitary environment.

Discover the world of flushing technology solutions.



★ headquarters

◆ manufacturing

● sales office / distribution





Wir wissen wie.

| | | | | | |
|-----------|--|----|------------|--|-----|
| 7 | DUPLO ELEMENTS | | 85 | EXPOSED FLUSHING CISTERNS | |
| | DUPLO WC ELEMENTS..... | 9 | | LOW HANGING CISTERNS | 87 |
| | DUPLO WC ELEMENTS 380..... | 9 | | CORNER CISTERN..... | 90 |
| | DUPLO WC ELEMENTS 189..... | 14 | | MONOBLOCK CISTERN..... | 91 |
| | DUPLO WC ELEMENTS 399..... | 16 | | HIGH HANGING CISTERN..... | 91 |
| | DUPLO WC ELEMENTS 199..... | 16 | | ACCESSORIES | 92 |
| | DUPLO WC ELEMENTS 387..... | 17 | 93 | TOILET SEATS | |
| | DUPLO WC ELEMENTS 198..... | 19 | | TOILET SEATS | 95 |
| | DUPLO URINAL ELEMENTS..... | 21 | | HINGES..... | 101 |
| | DUPLO WASHBASIN ELEMENTS..... | 24 | | BUFFERS..... | 101 |
| | DUPLO BIDET ELEMENTS..... | 26 | 103 | ACCESSIBLE PRODUCTS | |
| | DUPLO OTHER ELEMENTS..... | 27 | 111 | VALVES | |
| | DUPLO ACCESSORIES | 30 | | FILL VALVES 747..... | 114 |
| 33 | VARIOTRONIC | | | FILL VALVES 400..... | 115 |
| 37 | SET WC AND UP CONCEALED CISTERNS | | | FILL VALVE HDV | 116 |
| | SET WC 380..... | 39 | | FILL VALVE HVK..... | 116 |
| | SET WC 189..... | 39 | | FLUSH VALVE 550..... | 116 |
| | SET WC 399..... | 41 | | FLUSH VALVE 820..... | 117 |
| | SET WC 199..... | 41 | | KITS FILL & FLUSH VALVE..... | 117 |
| | SET WC 198..... | 42 | 121 | ACCESSORIES | |
| | UP 380..... | 43 | | FLUSH PIPES | 122 |
| | UP 189..... | 43 | | WC CONNECTORS | 126 |
| | UP 399..... | 44 | | WC DISCHARGE ELBOWS | 129 |
| | UP 199..... | 44 | 131 | SHOWER DRAINS | |
| | UP 198..... | 45 | | SHOWER DRAINS, PLASTIC FRAME | 135 |
| | UP 387..... | 47 | | SHOWER DRAINS, STAINLESS STEEL FRAME ... | 137 |
| | ACCESSORIES | 48 | | SHOWER DRAINS TO THE WALL, STAINLESS STEEL FRAME..... | 139 |
| 51 | SMART SANITARY WARE | | | GRIDS | 140 |
| | TOILET PACKS..... | 53 | | ACCESSORIES | 141 |
| | URINAL PACKS..... | 55 | 143 | SPARE PARTS AND EXPLODED VIEWS | |
| | VORTEX..... | 56 | | SPARE PARTS..... | 145 |
| 57 | FLUSHING PLATES AND FLUSHING SYSTEMS | | | SPARE PARTS FOR CONCEALED FLUSHING CISTERNS | 151 |
| | FLUSHING PLATES FOR WC ELEMENTS 380 AND 399 | 59 | | SPARE PARTS FOR EXPOSED FLUSHING CISTERNS | 177 |
| | FLUSHING PLATES FOR WC ELEMENTS 189 AND 198..... | 68 | 219 | GENERAL TERMS AND CONDITIONS | |
| | FLUSHING PLATES FOR WC ELEMENTS 199..... | 72 | | | |
| | FLUSHING PLATES FOR WC ELEMENTS 387..... | 75 | | | |
| | ACCESSORIES | 79 | | | |
| | FLUSHING PLATES FOR URINAL..... | 81 | | | |
| | FLUSHING SYSTEMS | 82 | | | |



EXPERIENCE AND LONG TRADITION

All SCHWAB products are distinguished by technical excellence and design perfection,
created for a living comfort.

A number of innovations, which are the foundation for quality and reliability of products and
services, are the result of experience and knowledge collected through 100-years of tradition in
developing sanitary installation products.

Schwab brand unveils planners plenty of room for high-quality and creative sanitary solutions, while
it combines quality, durability and design in a convincing manner.



Reliable operation with long guarantee period: 10 years guarantee for concealed and exposed flushing cisterns, and fill valves.



25 years of original spare parts availability for concealed and exposed flushing cisterns.



High capacity: correctly installed toilet bowl can easily carry a 400 kg load.



Perfectly insulated flushing cisterns with extremely silent filling valve enable remarkably silent function.



SCHWAB products enable very quick and simple installation, suitable for different bathroom ambience and very flexible when speaking about installation methods. Water connection is possible on the left side, the right side or the middle of the back.



SCHWAB flushing cisterns are equipped with dual flushing technique, thus contributing to a more responsible use of drinking water.



Moisture free: flushing cistern are made of high quality material and insulated against condensation.



High endurance: the durability test of the reliability of the flush valve operation includes 50,000/200,000 flushing cycles with alternating use of large and small quantities (in accordance with the requirements of the EN 14055:2018 standard).



SCHWAB products are designed in accordance with the latest trends regarding equipment for bathroom and sanitary facilities which includes both mounting solutions that contribute to facilitating the maintenance of excellent purity as well as the use of nature and human friendly materials.



Sanitary electronics represent the best solution hygiene issues. With SCHWAB no-contact flushing system, we are offering you the solution - a particularly sensitive sensor detects the movement of your hands or body.

COMPLETE SOLUTIONS



Our concealed systems offer you the possibility to solve all construction projects in a simple way and according to the requirements on the construction site. Whether new buildings or renovation - whether public or private - with our products, each sanitary room gets an optical highlight.

The line of concealed systems is the perfect choice for bathroom and sanitation facilities equipment. The perfect feature of economical and silent flushing is invisible in the room and aesthetically compatible with the bathroom equipment of your choosing due to our wide selection of flushing plates.

In addition, products have a 10-year warranty (with the exception of rubber and electronic parts) and 25 years availability of spare parts.

DESIGN IN FUNCTION



110 years of innovations

A number of innovations, which are the foundation for quality and reliability of products and services, are the result of experience and knowledge collected through over 100-years of tradition in developing flushing technology solutions.



Water is our passion

Water – the source of life and our inspiration. Fluidmaster strives to develop solutions that are kind to people while keeping in mind the quality of life and responsibility towards the natural environment.



Worldwide presence

Through our recognized strong brands we provide a complete range of high-quality products all around the globe. Chosen by plumbers, architects, ceramic manufacturers and consumers around the world, we are known for our performance and technology, quality, durability, ease of installation, and innovation.



Customer satisfaction

Customer satisfaction is our never ending focus in everything we do. And we do it with passion.

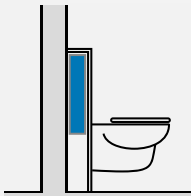
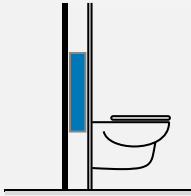
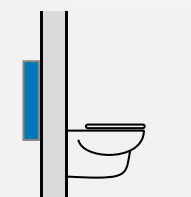
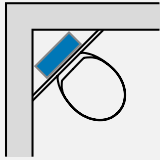




The line of concealed systems is the perfect choice for bathroom and sanitation facilities equipment. The perfect feature of economical and silent flushing is invisible in the room and aesthetically compatible with the bathroom equipment of your choosing due to our wide selection of flushing plates.

| | |
|----|--------------------------|
| 9 | DUPLO WC ELEMENTS |
| 9 | DUPLO WC ELEMENTS 380 |
| 14 | DUPLO WC ELEMENTS 189 |
| 16 | DUPLO WC ELEMENTS 399 |
| 16 | DUPLO WC ELEMENTS 199 |
| 17 | DUPLO WC ELEMENTS 387 |
| 19 | DUPLO WC ELEMENTS 198 |
| 21 | DUPLO URINAL ELEMENTS |
| 24 | DUPLO WASHBASIN ELEMENTS |
| 26 | DUPLO BIDET ELEMENTS |
| 27 | DUPLO OTHER ELEMENTS |
| 30 | DUPLO ACCESSORIES |

DUPLO WC ELEMENTS - THE WORLD OF SOLUTIONS

| | | WC ELEMENTS | | | | | | |
|--------------|---|-------------|-----|------|-----|-----|-----|------|
| | | 380 | 189 | 189A | 399 | 199 | 387 | 198* |
| Installation | | | | | | | | |
| Plasterboard |  | ■ | ■ | ■ | ■ | ■ | ■ | ■ |
| Light walls |  | ■ | ■ | ■ | ■ | ■ | ■ | ■ |
| Behind wall |  | ■ | ■ | ■ | ■ | ■ | ■ | ■ |
| Corner |  | ■ | ■ | ■ | ■ | ■ | | ■ |

* phase out product

DUPLO WC 380 PREMIUM



Installation method

- Installation in prefabricated walls, pre-wall installation in dry walls, universal installation into solid walls

Properties

- Supporting, blue powder coated WC element, square profile 40x40 mm with pre-assembled 380 UP concealed cistern
- Frontal flushing, for start-stop (6 L) or dual flushing (3/6 L)
- Flush volume adjustable between 6 and 7.5 L
- Pre-assembled wall brackets and adjustable feet (0-200 mm)
- Water connection possibility on two positions
- Fully insulated against condensation

Special features

- Quiet Hydraulic Fillvalve (Noise class 1 ISO 3822)
- Support legs equipped with brake for easier installation, rotating plate (90°)
- Depth adjustable drain elbow (+/-20 mm)

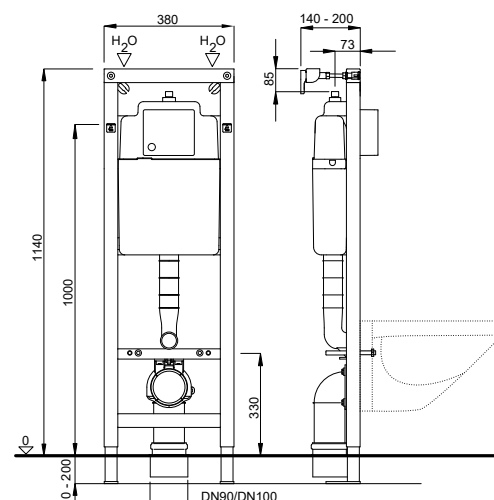
Product contains

- Concealed cistern equipped with pre-installed stop valve – top middle
- Water connection G 1/2
- PE drain elbow Ø 90 mm with seal
- Eccentric PE adapter Ø 90 / 110 mm with seal
- Complete installation and fixing materials

Flushing plate needs to be ordered separately

CE EN 14055 - CL1 - 6 - NL I - VR I

Technical drawing



Matching flushing plates on pages 59-67



Article number: 4060452506
EAN-Code: 8711778213760
Packing: 28 Pcs./Pallet

DUPLO WC 380



Installation method

- Installation in prefabricated walls, pre-wall installation in dry walls, universal installation into solid walls

Properties

- Supporting, blue powder coated WC element, square profile 40x40 mm with pre-assembled 380 UP concealed cistern
- Frontal flushing, for start-stop (6 L) or dual flushing (3/6 L)
- Flush volume adjustable between 6 and 7.5 L
- Pre-assembled wall brackets and adjustable feet (0-200 mm)
- Water connection possibility on four positions
- Fully insulated against condensation

Special features

- Quiet Hydraulic Fill valve (Noise class 1 ISO 3822)
- Depth adjustable drain elbow (+/-20 mm)

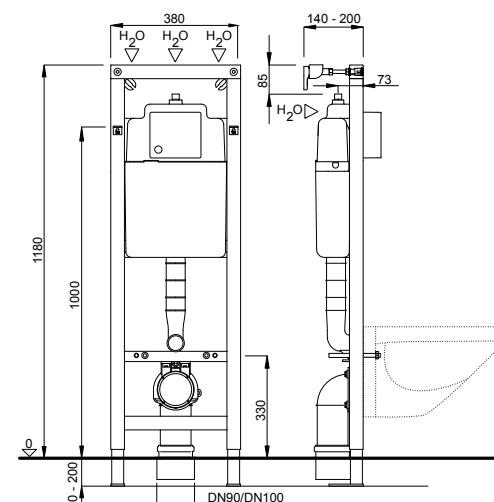
Product contains

- Concealed cistern equipped with pre-installed stop valve – top middle
- Water connection G 1/2
- PE drain elbow Ø 90 mm with seal
- Eccentric PE adapter Ø 90 / 110 mm with seal
- Complete installation and fixing materials

Flushing plate needs to be ordered separately

CE EN 14055 - CL1 - 6 - NL I - VR I

Technical drawing



Matching flushing plates on page 59-67



Article number: 4060452701
EAN-Code: 8711778213777
Packing: 28 Pcs./Pallet

DUPLO WC 380 4/2 lit.



Installation method

- Installation in prefabricated walls, pre-wall installation in dry walls, universal installation into solid walls

Properties

- Supporting, blue powder coated WC element, square profile 40x40 mm with pre-assembled 380 UP concealed cistern
- Frontal flushing, for start-stop (4 L) or dual flushing (2/4 L)
- Flush volume adjustable between 4 and 4.5 L
- Pre-assembled wall brackets and adjustable feet (0-200 mm)
- Water connection possibility on four positions
- Fully insulated against condensation

Special features

- Quiet Hydraulic Fill valve (Noise class 1 ISO 3822)
- Depth adjustable drain elbow (+/-20 mm)

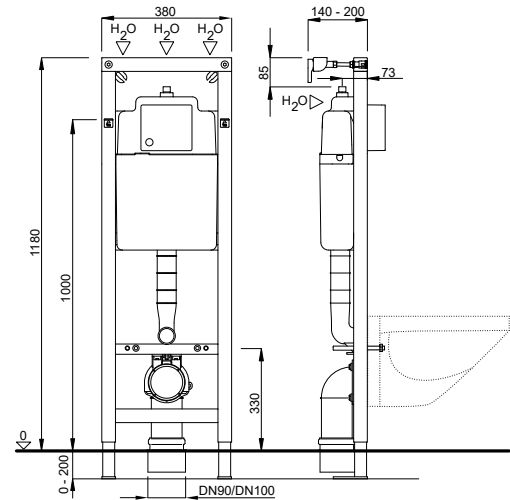
Product contains

- Concealed cistern equipped with pre-installed stop valve – top middle
- Water connection G 1/2
- PE drain elbow Ø 90 mm with seal
- Eccentric PE adapter Ø 90 / 110 mm with seal
- Complete installation and fixing materials

Flushing plate needs to be ordered separately

CE EN 14055 - CL1 - 4 - NL I - VR I

Technical drawing



Matching flushing plates on pages 59-67



Article number: 4060452715
EAN-Code: 8711778213807
Packing: 28 Pcs./Pallet

DUPLO WC 380 6 lit.



Installation method

- Installation in prefabricated walls, pre-wall installation in dry walls, universal installation into solid walls

Properties

- Supporting, blue powder coated WC element, square profile 40x40 mm with pre-assembled 380 UP concealed cistern
- Frontal flushing, for start-stop (6 L) or dual flushing (3/6 L)
- Flush volume maximum 6 L
- Pre-assembled wall brackets and adjustable feet (0-200 mm)
- Water connection possibility on four positions
- Fully insulated against condensation

Special features

- Quiet Hydraulic Fill valve (Noise class 1 ISO 3822)
- Depth adjustable drain elbow (+/-20 mm)

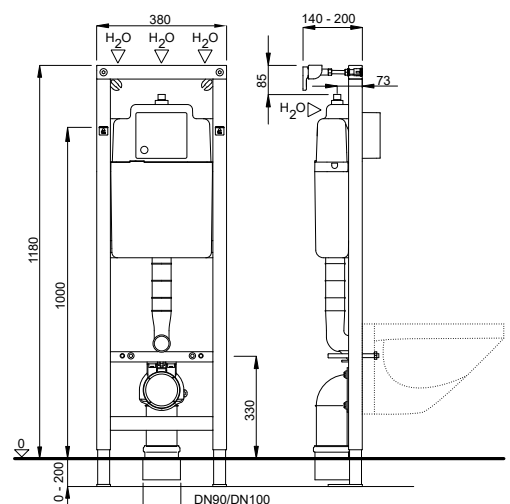
Product contains

- Concealed cistern equipped with pre-installed stop valve – top middle
- Water connection G 1/2
- PE drain elbow Ø 90 mm with seal
- Eccentric PE adapter Ø 90 / 110 mm with seal
- Complete installation and fixing materials

Flushing plate needs to be ordered separately

CE EN 14055 - CL1 - 6 - NL I - VR I

Technical drawing



Matching flushing plates on pages 59-67



Article number: 4060452740
EAN-Code: 8711778213883
Packing: 28 Pcs./Pallet

DUPLO WC 380 CORNER



Installation method

- Pre-wall corner installation in dry walls

Properties

- Supporting, blue powder coated WC element, square profile 40x40 mm with pre-assembled 380 UP concealed cistern
- Frontal flushing, for start-stop (6 L) or dual flushing (3/6 L)
- Flush volume adjustable between 6 and 7.5 L
- Pre-assembled wall brackets and adjustable feet (0-200 mm)
- Water connection possibility on four positions
- Fully insulated against condensation

Special features

- Quiet Hydraulic Fill valve (Noise class 1 ISO 3822)
- Depth adjustable drain elbow (+/-20 mm)

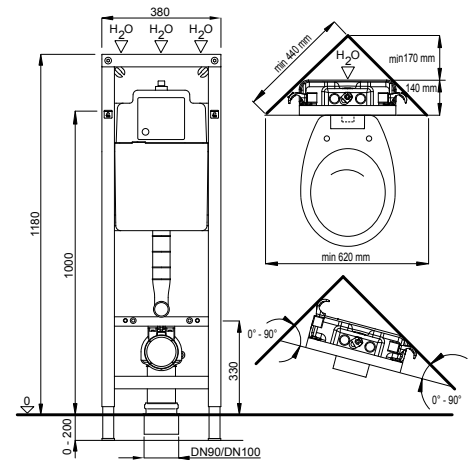
Product contains

- Concealed cistern equipped with pre-installed stop valve – top middle
- Water connection G 1/2
- PE drain elbow Ø 90 mm with seal
- Eccentric PE adapter Ø 90 / 110 mm with seal
- Complete installation and fixing materials

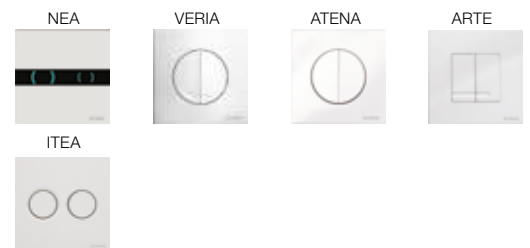
Flushing plate needs to be ordered separately

CE EN 14055 - CL1 - 6 - NL I - VR I

Technical drawing



Matching flushing plates on pages 59-67



Article number: 4060452703
EAN-Code: 8711778213784
Packing: 28 Pcs./Pallet

DUPLO WC 380 IN.CON.16x2 112cm



Installation method

- Installation in prefabricated walls, pre-wall installation in dry walls, universal installation into solid walls

Properties

- Supporting, blue powder coated WC element, square profile 40x40 mm with pre-assembled 380 UP concealed cistern
- Frontal flushing, for start-stop (6 L) or dual flushing (3/6 L)
- Flush volume adjustable between 6 and 7.5 L
- Pre-assembled wall brackets and adjustable feet (0-200 mm)
- Water connection on the left side
- Fully insulated against condensation

Special features

- Quiet Hydraulic Fill valve (Noise class 1 ISO 3822)
- Suitable for multi-layer composite pipe 16 x 2 PE-Xc/AL/PE-Xc from Henco
- Depth adjustable drain elbow (+/-20 mm)

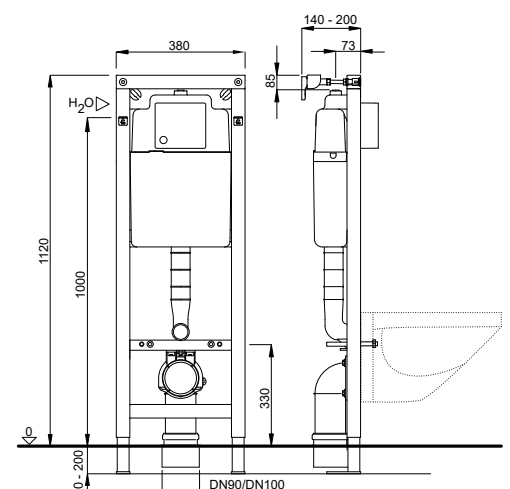
Product contains

- Concealed cistern equipped with pre-installed stop valve – internally on the left side
- Water connection G 1/2
- PE drain elbow Ø 90 mm with seal
- Eccentric PE adapter Ø 90 / 110 mm with seal
- Complete installation and fixing materials

Flushing plate needs to be ordered separately

CE EN 14055 - CL1 - 6 - NL I - VR I

Technical drawing



Matching flushing plates on pages 59-67



Article number: 4060452801
EAN-Code: 8711778213692
Packing: 28 Pcs./Pallet

XS WC 380 SSF

**Installation method**

- Freestanding element with 4 attachments on the floor (Concrete)

Properties

- Self-supporting, blue powder coated WC element, square profile 40x40 mm with pre-assembled 380 UP concealed cistern
- Frontal flushing, for start-stop (6 L) or dual flushing (3/6 L)
- Flush volume adjustable between 6 and 7.5 L
- 4 adjustable feet (0-200 mm)
- Water connection possibility on four positions
- Fully insulated against condensation

Special features

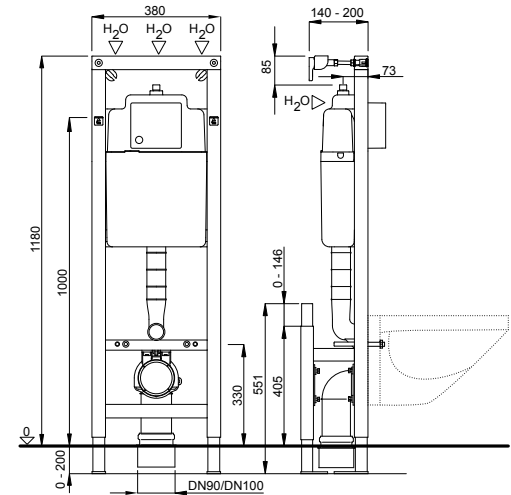
- Quiet Hydraulic Fill valve (Noise class 1 ISO 3822)
- Depth adjustable drain elbow (+/-20 mm)

Product contains

- Concealed cistern equipped with pre-installed stop valve – top middle
- Water connection G 1/2
- PE drain elbow Ø 90 mm with seal
- Eccentric PE adapter Ø 90 / 110 mm with seal
- Complete installation and fixing materials

Flushing plate needs to be ordered separately

CE EN 14055 - CL1 - 6 - NL I - VR I

Technical drawing**Matching flushing plates on pages 59-67**

Article number: **8050452731**
 EAN-Code: 8711778121126
 Packing: 20 Pcs./Pallet

DUPLO WC 380 L

**Installation method**

- For pre-wall installation

Properties

- Supporting, blue powder coated WC element, square profile 40x40 mm with pre-assembled 380 UP concealed cistern
- Frontal flushing, for start-stop (6 L) or dual flushing (3/6 L)
- Flush volume adjustable between 6 and 7.5 L
- Pre-assembled wall brackets and adjustable feet (0-200 mm)
- Water connection possibility on four positions
- Fully insulated against condensation

Special features

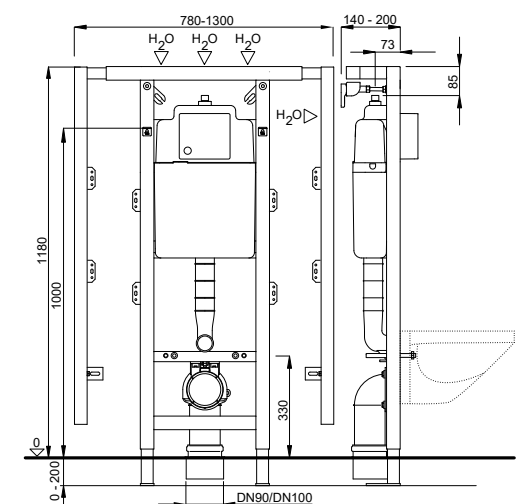
- Quiet Hydraulic Fill valve (Noise class 1 ISO 3822)
- Adjustable width from 780-1300 mm
- Depth adjustable drain elbow (+/-20 mm)

Product contains

- Concealed cistern equipped with pre-installed stop valve – top middle
- Water connection G 1/2
- PE drain elbow Ø 90 mm with seal
- Eccentric PE adapter Ø 90 / 110 mm with seal
- Complete installation and fixing materials

Flushing plate needs to be ordered separately

CE EN 14055 - CL1 - 6 - NL I - VR I

Technical drawing**Matching flushing plates on pages 59-67**

Article number: **4060452707**
 EAN-Code: 8711778213791
 Packing: 14 Pcs./Pallet

DUPLO WC 380 L SP



Installation method

- For pre-wall installation

Properties

- Supporting, blue powder coated WC element, square profile 40x40 mm with pre-assembled 380 UP concealed cistern
- Frontal flushing, for start-stop (6 L) or dual flushing (3/6 L)
- Flush volume adjustable between 6 and 7.5 L
- Pre-assembled wall brackets and adjustable feet (0-200 mm)
- Water connection possibility on four positions
- Fully insulated against condensation

Special features

- Quiet Hydraulic Fill valve (Noise class 1 ISO 3822)
- Side profiles with multiple bonded waterproof wooden plates for supporting handholds
- Depth adjustable drain elbow (+/-20 mm)

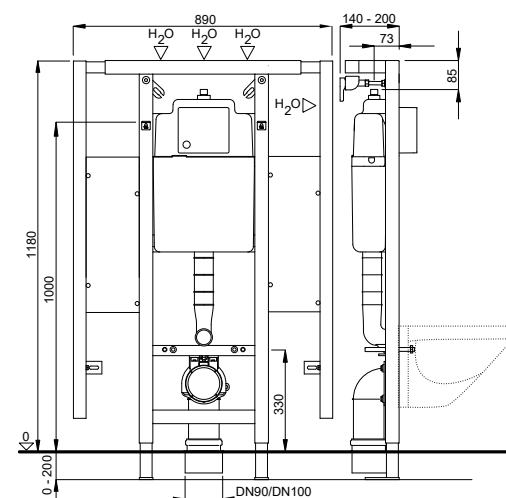
Product contains

- Concealed cistern equipped with pre-installed stop valve – top middle
- Water connection G 1/2
- PE drain elbow Ø 90 mm with seal
- Eccentric PE adapter Ø 90 / 110 mm with seal
- Complete installation and fixing materials

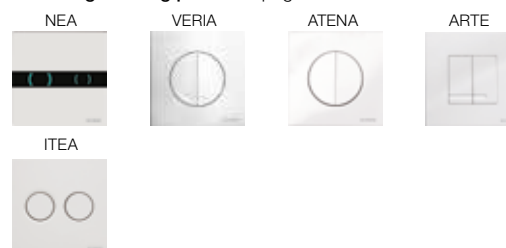
Flushing plate needs to be ordered separately

CE EN 14055 - CL1 - 6 - NL I - VR I

Technical drawing



Matching flushing plates on pages 59-67



Article number: 4060452737
EAN-Code: 8711778213869
Packing: 14 Pcs./Pallet

DUPLO WC 380 VARIO



Installation method

- Installation in prefabricated walls, pre-wall installation in dry walls, universal installation into solid walls

Properties

- Supporting, blue powder coated WC element, square profile 40x40 mm with pre-assembled 380 UP concealed cistern
- Frontal flushing, for start-stop (6 L) or dual flushing (3/6 L)
- Flush volume adjustable between 6 and 7.5 L
- Pre-assembled wall brackets and adjustable feet (0-200 mm)
- Water connection possibility on four positions
- Fully insulated against condensation

Special features

- Quiet Hydraulic Fill valve (Noise class 1 ISO 3822)
- Variable height adjustment of the toilet (+100 mm) after completion of the pre-wall
- Mounting height WC incl. seat according to DIN 18040-1/ DIN 18040-2: 460-480 mm
- Depth adjustable drain elbow (+/-20 mm)

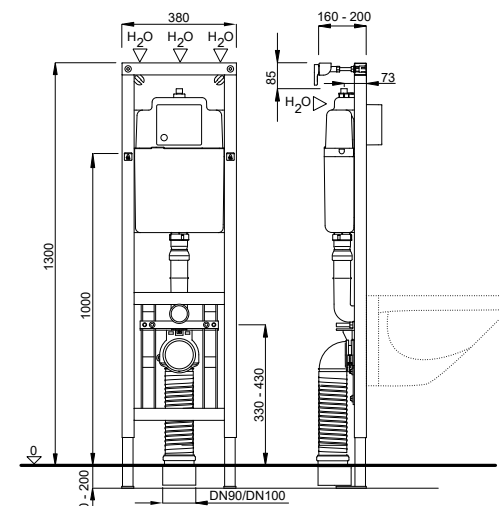
Product contains

- Concealed cistern equipped with pre-installed stop valve – top middle
- Water connection G 1/2
- PE drain elbow Ø 90 mm with seal
- Eccentric PE adapter Ø 90 / 110 mm with seal
- Complete installation and fixing material
- Including Vario cover plate (PE)

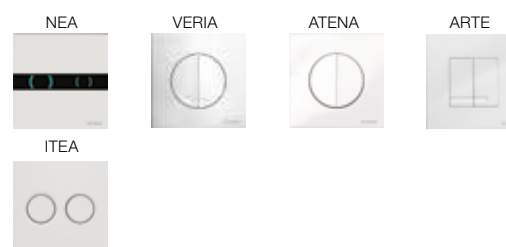
Flushing plate needs to be ordered separately

CE EN 14055 - CL1 - 6 - NL I - VR I

Technical drawing



Matching flushing plates on pages 59-67



Article number: 4060452735
EAN-Code: 8711778213852
Packing: 14 Pcs./Pallet

DUPLO WC 380 L VARIO SP



Installation method

- For pre-wall installation

Properties

- Supporting, blue powder coated WC element, square profile 40x40 mm with pre-assembled 380 UP concealed cistern
- Frontal flushing, for start-stop (6 L) or dual flushing (3/6 L)
- Flush volume adjustable between 6 and 7.5 L
- Pre-assembled wall brackets and adjustable feet (0-200 mm)
- Water connection possibility on four positions
- Fully insulated against condensation

Special features

- Quiet Hydraulic Fill valve (Noise class 1 ISO 3822)
- Variable height adjustment of the toilet (+100 mm) after completion of the pre-wall
- Mounting height WC incl. seat according to DIN 18040-1/ DIN 18040-2: 460-480 mm
- Side profiles with multiple bonded waterproof wooden plates for supporting handholds
- Depth adjustable drain elbow (+/-20 mm)

Product contains

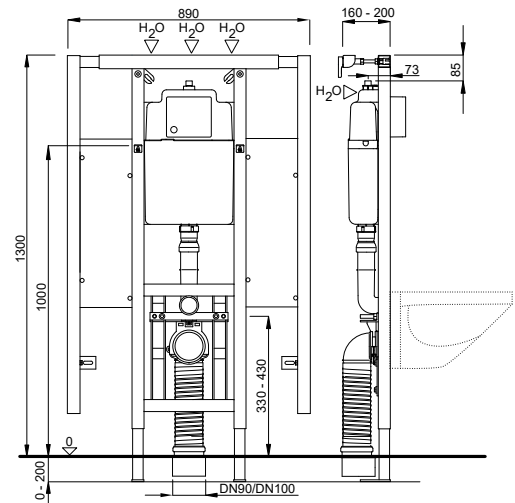
- Concealed cistern equipped with pre-installed stop valve – top middle
- Water connection G 1/2
- PE drain elbow Ø 90 mm with seal
- Eccentric PE adapter Ø 90 / 110 mm with seal
- Complete installation and fixing material
- Including Vario cover plate (PE)

Flushing plate needs to be ordered separately

CE EN 14055 - CL1 - 6 - NL I - VR I

Article number: 4060452738
EAN-Code: 8711778213876
Packing: 8 Pcs./Pallet

Technical drawing



Matching flushing plates on pages 59-67



DUPLO WC 189 DWC PREMIUM



Installation method

- Installation in prefabricated walls, pre-wall installation in dry walls, universal installation into solid walls

Properties

- Supporting, blue powder coated WC element, square profile 40x40 mm with pre-assembled 189 UP concealed cistern
- Frontal flushing, for start-stop (6 L) or dual flushing (3/6 L)
- Flush volume adjustable (large flush 5/6/7 L, small flush 3/4 L)
- Pre-assembled wall brackets and adjustable feet (0-200 mm)
- Water connection possibility on four positions
- Fully insulated against condensation

Special features

- Quiet Mechanical Fill valve (Noise class 1 ISO 3822)
- Sound decoupled to DIN 4109
- For the connection of shower-WCs
- Flushing pipe with connection for air extraction Ø 50 mm
- Support legs equipped with brake for easier installation, rotating plate (90°)
- Depth adjustable drain elbow (+/-20 mm)

Product contains

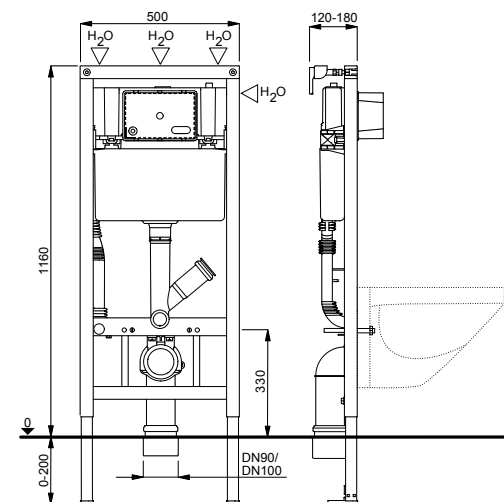
- Concealed cistern equipped with pre-installed stop valve – top right
- Water connection G 1/2
- Pipe for the water supply connection of shower WC
- Electrical box loose
- PE drain elbow Ø 90 mm with seal
- Eccentric PE adapter Ø 90 / 110 mm with seal
- Complete installation and fixing material

Flushing plate needs to be ordered separately

CE EN 14055 - CL1 - 6 - NL I - VR I

Article number: 674520
EAN-Code: 3838912061225
Packing: 12 Pcs./Pallet

Technical drawing



Matching flushing plates on pages 68-71



DUPLO WC 189 PREMIUM



Installation method

- Installation in prefabricated walls, pre-wall installation in dry walls, universal installation into solid walls

Properties

- Supporting, blue powder coated WC element, square profile 40x40 mm with pre-assembled 189 UP concealed cistern
- Frontal flushing, for start-stop (6 L) or dual flushing (3/6 L)
- Flush volume adjustable (large flush 5/6/7 L, small flush 3/4 L)
- Pre-assembled wall brackets and adjustable feet (0-200 mm)
- Water connection possibility on four positions
- Fully insulated against condensation

Special features

- Quiet Mechanical Fill valve (Noise class 1 ISO 3822)
- Support legs equipped with brake for easier installation, rotating plate (90°)
- Depth adjustable drain elbow (+/-20 mm)

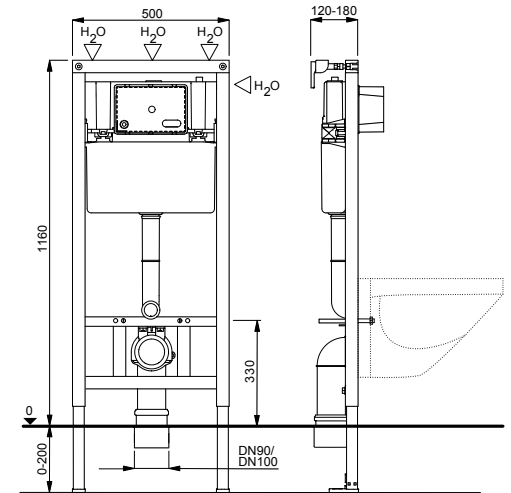
Product contains

- Concealed cistern equipped with pre-installed stop valve – top right
- Water connection G 1/2
- PE drain elbow Ø 90 mm with seal
- Eccentric PE adapter Ø 90 / 110 mm with seal
- Complete installation and fixing material

Flushing plate needs to be ordered separately

CE EN 14055 - CL1 - 6 - NL I - VR I

Technical drawing



Matching flushing plates on pages 68-71



Article number: 674521
EAN-Code: 3838912061232
Packing: 12 Pcs./Pallet

DUPLO WC 189A



Installation method

- Installation in prefabricated walls, pre-wall installation in dry walls, universal installation into solid walls

Properties

- Supporting, blue powder coated WC element, square profile 40x40 mm with preassembled 189A concealed cistern
- Frontal flushing, for start-stop (6 L) or dual flushing (3/6 L)
- Flush volume adjustable (large flush 5/6/7 L, small flush 3/4 L)
- Pre-assembled wall brackets and adjustable feet (0-190 mm)
- Water connection possibility on four positions
- Fully insulated against condensation

Special features

- Quiet Mechanical Fill valve (Noise class 1 ISO 3822)
- Depth adjustable drain elbow (+/-20 mm)

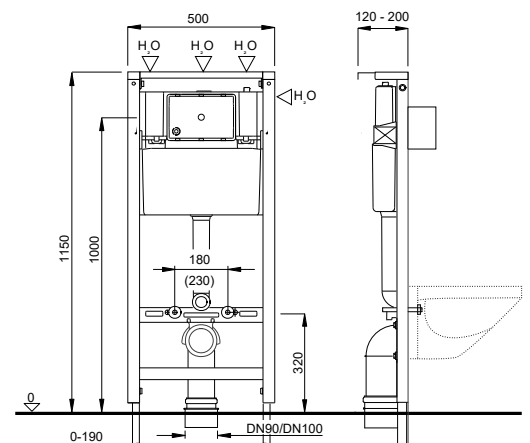
Product contains

- Concealed cistern equipped with pre-installed stop valve – top middle
- Water connection G 1/2
- PE drain elbow Ø 90 mm with seal
- Eccentric PE adapter Ø 90 / 110 mm with seal
- Complete installation and fixing material

Flushing plate needs to be ordered separately

CE EN 14055 - CL1 - 6 - NL I - VR I

Technical drawing



Matching flushing plates on pages 68-71



Numer produktu: 675094
EAN: 3838912064769

DUPLO WC 399



Installation method

- Installation in prefabricated walls, pre-wall installation in dry walls, universal installation into solid walls

Properties

- Supporting, blue powder coated WC element, square profile 40x40 mm with pre-assembled 399 UP concealed cistern
- Frontal flushing, for start-stop (6 L) or dual flushing (3/6 L)
- Flush volume adjustable (large flush 4-7 L, small flush 2-3 L)
- Pre-assembled wall brackets and adjustable feet (0-200 mm)
- Water connection - top center
- Fully insulated against condensation

Special features

- Quiet Hydraulic Fill valve (Noise class 1 ISO 3822)
- Depth adjustable drain elbow (+/-20 mm)

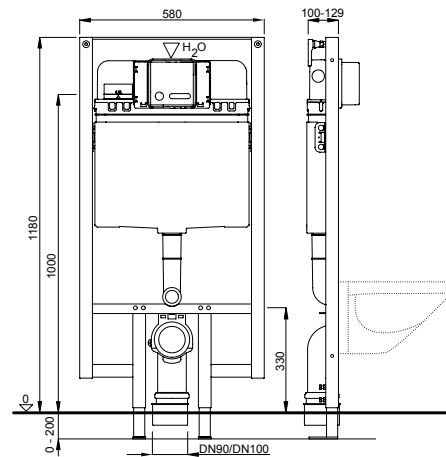
Product contains

- Concealed cistern equipped with pre-installed stop valve – top center
- Water connection G 1/2
- PE drain elbow Ø 90 mm with seal
- PE adapter Ø 90 / 110 mm with seal
- Complete installation and fixing material

Flushing plate needs to be ordered separately

CE EN 14055 - CL1 - 6 - NL I - VR I

Technical drawing



Matching flushing plates on pages 62-65



Article number: 4060452515
EAN-Code: 8711778214224
Packing: 16 Pcs./Pallet

DUPLO WC 199



Installation method

- Installation in prefabricated walls, pre-wall installation in dry walls, universal installation into solid walls

Properties

- Supporting, blue powder coated WC element, square profile 30x30 mm with pre-assembled 199 UP concealed cistern
- Frontal flushing, for dual flushing (3/6 L)
- Flush volume adjustable (large flush 4-7 L, small flush 2-3 L)
- Pre-assembled wall brackets and adjustable feet (0-200 mm)
- Water connection - top center
- Fully insulated against condensation

Special features

- Quiet Hydraulic Fill valve (Noise class 1 ISO 3822)
- Depth adjustable drain elbow (+/-20 mm)

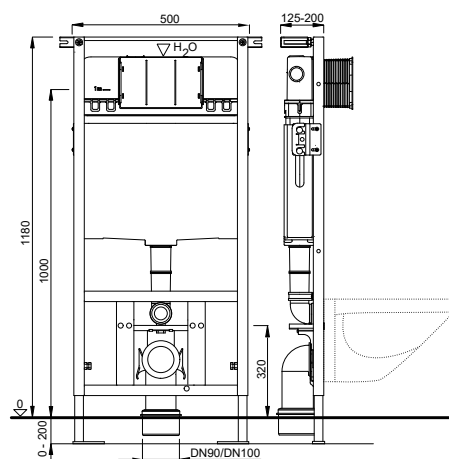
Product contains

- Concealed cistern equipped with pre-installed stop valve – top center
- Water connection G 1/2
- PE drain elbow Ø 90 mm with seal
- PE adapter Ø 90 / 110 mm with seal
- Complete installation and fixing material

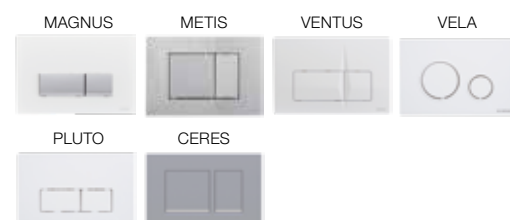
Flushing plate needs to be ordered separately

CE EN 14055 - CL1 - 6 - NL I - VR I

Technical drawing



Matching flushing plates on pages 72-75



Article number: T02-2113-0250
EAN-Code: 8681282615766
Packing: 20 Pcs./Pallet

DUPLO WC 199 SLIM



Installation method

- Installation in prefabricated walls, pre-wall installation in dry walls, universal installation into solid walls

Properties

- Supporting, blue powder coated WC element, square profile 30x30 mm with pre-assembled 199 UP concealed cistern
- Frontal flushing, for dual flushing (3/6 L)
- Flush volume adjustable (large flush 4-7 L, small flush 2-3 L)
- Pre-assembled wall brackets and adjustable feet (0-200 mm)
- Water connection - top center
- Fully insulated against condensation

Special features

- Quiet Hydraulic Fill valve (Noise class 1 ISO 3822)
- Depth adjustable drain elbow (+/-20 mm)

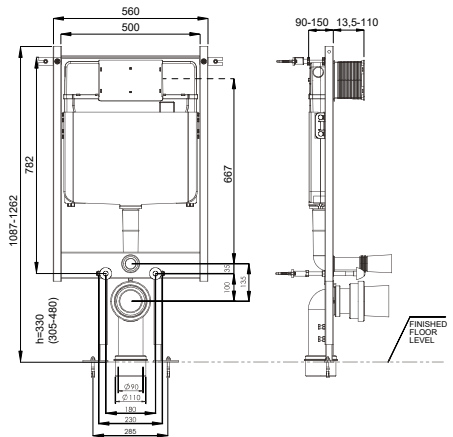
Product contains

- Concealed cistern equipped with pre-installed stop valve – top center
- Water connection G 1/2
- PE drain elbow Ø 90 mm with seal
- PE adapter Ø 90 / 110 mm with seal
- Complete installation and fixing material

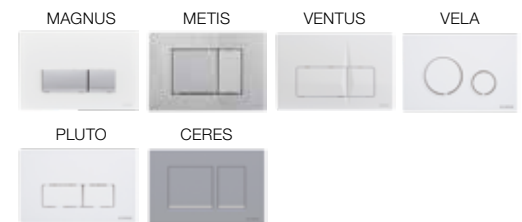
Flushing plate needs to be ordered separately

CE EN 14055 - CL1 - 6 - NL I - VR I

Technical drawing



Matching flushing plates on pages 72-75



Article number: **T02-2116-0250**
 EAN-Code: 88681282616374
 Packing: 15 Pcs./Pallet

DUPLO WC 387 83 cm



Installation method

- For pre-wall installation

Properties

- Supporting, blue powder coated WC element, square profile 40x40 mm with pre-assembled 387 UP concealed cistern
- Top or frontal flushing, dual flushing (3/6 L)
- Flush volume adjustable between 6 and 7.5 L
- Pre-assembled wall brackets and adjustable feet (0-200 mm)
- Water connection – on the left side
- Fully insulated against condensation

Special features

- Quiet Hydraulic Fill valve (Noise class 1 ISO 3822)
- Suitable for pneumatic and mechanical flushing plates
- Depth adjustable drain elbow (+/-20 mm)

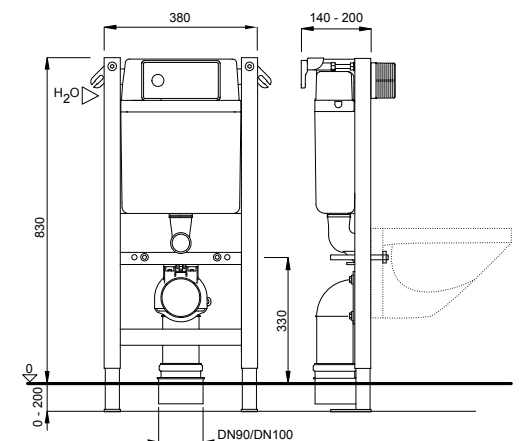
Product contains

- Concealed cistern equipped with pre-installed stop valve – on the left side
- Water connection G 1/2
- PE drain elbow Ø 90 mm with seal
- Eccentric PE adapter Ø 90 / 110 mm with seal
- Complete installation and fixing materials

Flushing plate needs to be ordered separately

CE EN 14055 - CL1 - 6 - NL I - VR I

Technical drawing



Matching flushing plates on pages 76-78



Article Number: **4060453003**
 EAN-Code: 8711778213654
 Packing: 16 Pcs./Pallet

DUPLO WC 387 98 cm



Installation method

- For pre-wall installation

Properties

- Supporting, blue powder coated WC element, square profile 40x40 mm with pre-assembled 387 UP concealed cistern
- Top or frontal flushing, dual flushing (3/6 L)
- Flush volume adjustable between 6 and 7.5 L
- Pre-assembled wall brackets and adjustable feet (0-200 mm)
- Water connection – on the left side
- Fully insulated against condensation

Special features

- Quiet Hydraulic Fill valve (Noise class 1 ISO 3822)
- Suitable for pneumatic and mechanical flushing plates
- Depth adjustable drain elbow (+/-20 mm)

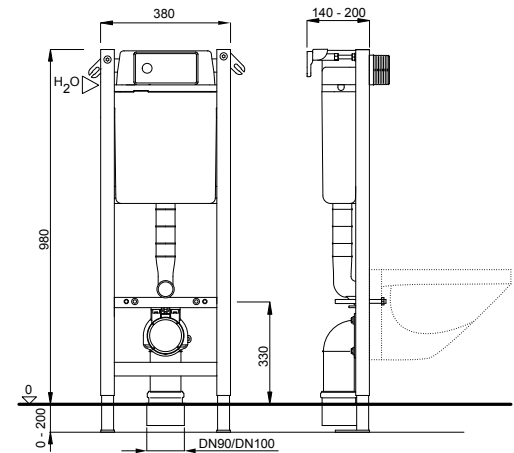
Product contains

- Concealed cistern equipped with pre-installed stop valve – on the left side
- Water connection G 1/2
- PE drain elbow Ø 90 mm with seal
- Eccentric PE adapter Ø 90 / 110 mm with seal
- Complete installation and fixing materials

Flushing plate needs to be ordered separately

CE EN 14055 - CL1 - 6 - NL I - VR I

Technical drawing



Matching flushing plates on pages 75-78



* Only for frontal flushing

Article number: 4060453002
EAN-Code: 8711778213647
Packing: 20 Pcs./Pallet

DUPLO WC 387 FRONT 112 cm



Installation method

- Installation in prefabricated walls, pre-wall installation in dry walls, universal installation into solid walls

Properties

- Supporting, blue powder coated WC element, square profile 40x40 mm with preassembled 387 UP concealed cistern
- Frontal flushing, dual flushing (3/6 L)
- Flush volume adjustable between 6 and 7.5 L
- Pre-assembled wall brackets and adjustable feet (0-200 mm)
- Water connection – on the left side
- Fully insulated against condensation

Special features

- Quiet Hydraulic Fill valve (Noise class 1 ISO 3822)
- Suitable for pneumatic and mechanical flushing plates
- Depth adjustable drain elbow (+/-20 mm)

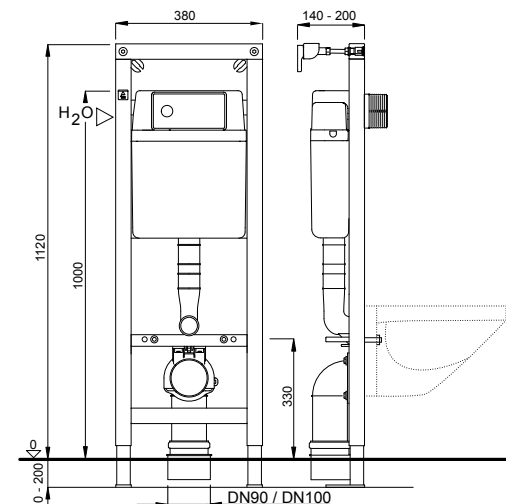
Product contains

- Concealed cistern equipped with pre-installed stop valve – on the left side
- Water connection G 1/2
- PE drain elbow Ø 90 mm with seal
- Eccentric PE adapter Ø 90 / 110 mm with seal
- Complete installation and fixing materials

Flushing plate needs to be ordered separately

CE EN 14055 - CL1 - 6 - NL I - VR I

Technical drawing



Matching flushing plates on pages 75-78



Article number: 4060453004
EAN-Code: 8711778213661
Packing: 20 Pcs./Pallet

DUPLO WC 387 FRONT 118 cm



Installation method

- Installation in prefabricated walls, pre-wall installation in dry walls, universal installation into solid walls

Properties

- Supporting, blue powder coated WC element, square profile 40x40 mm with pre-assembled 387 UP concealed cistern
- Frontal flushing, dual flushing (3/6 L)
- Flush volume adjustable between 6 and 7.5 L
- Pre-assembled wall brackets and adjustable feet (0-200 mm)
- Water connection – on the left side
- Fully insulated against condensation

Special features

- Quiet Hydraulic Fill valve (Noise class 1 ISO 3822)
- Suitable for pneumatic and mechanical flushing plates
- Depth adjustable drain elbow (+/-20 mm)

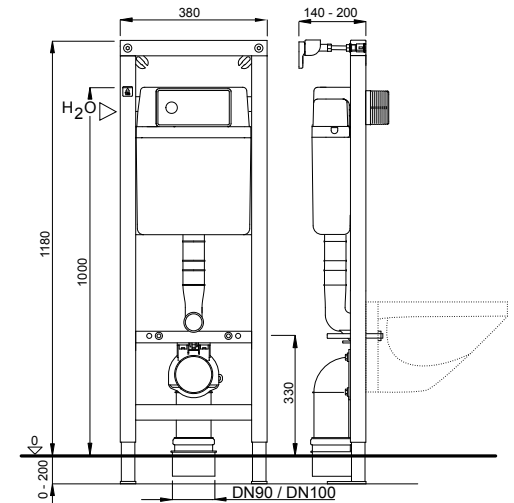
Product contains

- Concealed cistern equipped with pre-installed stop valve – on the left side
- Water connection G 1/2
- PE drain elbow Ø 90 mm with seal
- Eccentric PE adapter Ø 90 / 110 mm with seal
- Complete installation and fixing materials

Flushing plate needs to be ordered separately

CE EN 14055 - CL1 - 6 - NL I - VR I

Technical drawing



Matching flushing plates on pages 75-78



Article number: 4060453015
EAN-Code: 8711778213678
Packing: 28 Pcs./Pallet

DUPLO WC 198



Installation method

- Installation in prefabricated walls, pre-wall installation in dry walls, universal installation into solid walls

Properties

- Supporting, blue powder coated WC element, square profile 40x40 mm with pre-assembled 198 UP concealed cistern
- Frontal flushing, dual flushing (3/6 L)
- Flush volume adjustable (large flush 7-9 L, small flush 3-6 L)
- Pre-assembled wall brackets and adjustable feet (0-200 mm)
- Water connection – top center
- Fully insulated against condensation

Special features

- Quiet Mechanical Fill valve (Noise class 1 ISO 3822)
- Depth adjustable drain elbow (+/-20 mm)

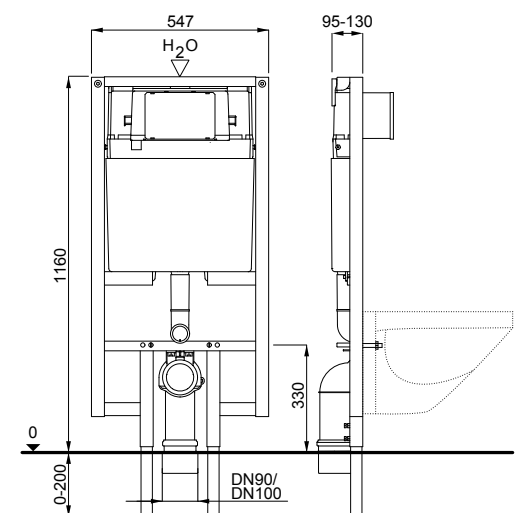
Product contains

- Concealed cistern equipped with pre-installed stop valve – top center
- Water connection G 1/2
- PE drain elbow Ø 90 mm with seal
- Eccentric PE adapter Ø 90 / 110 mm with seal
- Complete installation and fixing materials

Flushing plate needs to be ordered separately

CE EN 14055 - CL1 - 7 - NL I - VR I

Technical drawing



Matching flushing plates on pages 68-71



Article Number: 674523
EAN-Code: 3838912061256
Packing: 24 Pcs./Pallet

DUPLO WC 198 4,5/3 lit.



Installation method

- Installation in prefabricated walls, pre-wall installation in dry walls, universal installation into solid walls

Properties

- Supporting, blue powder coated WC element, square profile 40x40 mm with pre-assembled 198 UP concealed cistern
- Frontal flushing, dual flushing (3/4.5 L)
- Maximal flush volume 4.5 L
- Pre-assembled wall brackets and adjustable feet (0-200 mm)
- Water connection – top center
- Fully insulated against condensation

Special features

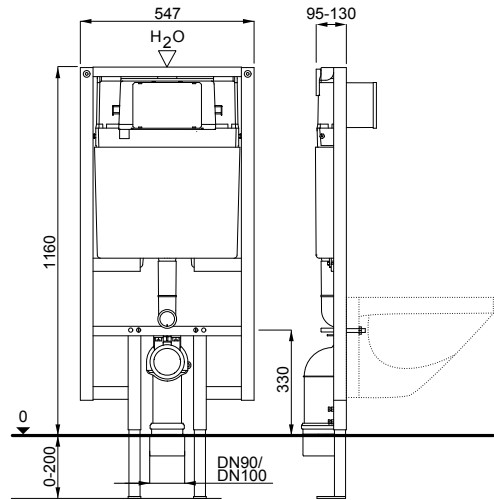
- Quiet Mechanical Fill valve (Noise class 1 ISO 3822)
- Depth adjustable drain elbow (+/-20 mm)

Product contains

- Concealed cistern equipped with pre-installed stop valve – top center
- Water connection G 1/2
- PE drain elbow Ø 90 mm with seal
- Eccentric PE adapter Ø 90 / 110 mm with seal
- Complete installation and fixing materials

Flushing plate needs to be ordered separately

Technical drawing



Matching flushing plates on pages 68-71



Article number: **674527**
 EAN code: 3838912061317
 Packing: 24 Pcs./Pallet

DUPLO WC 198 6/3 lit.



Installation method

- Installation in prefabricated walls, pre-wall installation in dry walls, universal installation into solid walls

Properties

- Supporting, blue powder coated WC element, square profile 40x40 mm with pre-assembled 198 UP concealed cistern
- Frontal flushing, dual flushing (3/6 L)
- Flush volume adjustable (large flush 6 L, small flush 3 L)
- Pre-assembled wall brackets and adjustable feet (0-200 mm)
- Water connection – top center
- Fully insulated against condensation

Special features

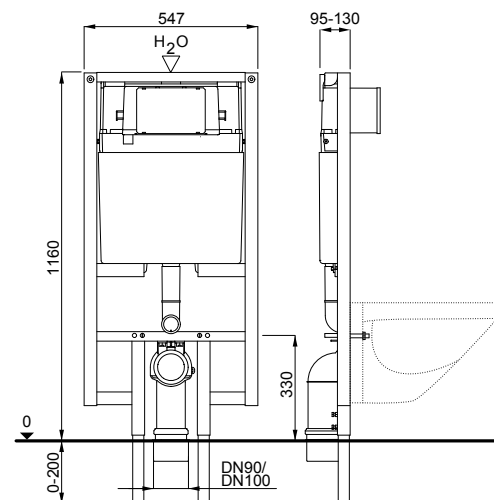
- Quiet Mechanical Fill valve (Noise class 1 ISO 3822)
- Depth adjustable drain elbow (+/-20 mm)

Product contains

- Concealed cistern equipped with pre-installed stop valve – top center
- Water connection G 1/2
- PE drain elbow Ø 90 mm with seal
- PE adapter Ø 90 / 110 mm with seal
- Complete installation and fixing materials

Flushing plate needs to be ordered separately

Technical drawing



Matching flushing plates on pages 68-71



Article number: **674528**
 EAN code: 3838912061324
 Packing: 24 Pcs./Pallet

DUPLO WC 198 SLIM



Installation method

- Installation in prefabricated walls, pre-wall installation in dry walls, universal installation into solid walls

Properties

- Supporting, blue powder coated WC element with pre-assembled 198 UP concealed cistern
- Frontal flushing, dual flushing (3/6 L)
- Flush volume adjustable (large flush 7-9 L, small flush 3-6 L)
- Pre-assembled wall brackets and adjustable feet (0-190 mm)
- Water connection – top center
- Fully insulated against condensation

Special features

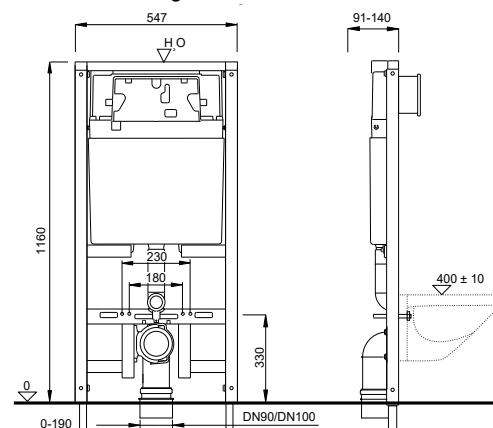
- Quiet Mechanical Fill valve (Noise class 1 ISO 3822)
- Built in depth 91 mm
- Depth adjustable drain elbow (+/-20 mm)

Product contains

- Concealed cistern equipped with pre-installed stop valve – top center
- Water connection G 1/2
- PE drain elbow \varnothing 90 mm with seal
- Eccentric PE adapter \varnothing 90 / 110 mm with seal
- Complete installation and fixing materials

Flushing plate needs to be ordered separately

Technical drawing



Matching flushing plates on pages 68-71



Article number: **667672**
 EAN code: 3838912060075
 Packing: 24 Pcs./Pallet

DUPLO UR 380 MECH.PL



Installation method

- Installation in prefabricated walls, pre-wall installation in dry walls, universal installation into solid walls

Properties

- Supporting, blue powder coated Urinal element, square profile 40x40 mm with pre-assembled in-wall mounted box
- Pre-assembled, pre-shut-off solenoid valve and water connection
- Pre-assembled wall brackets and adjustable feet (0-200 mm)
- Height adjustable with wall disc and inlet fitting
- Height adjustable and swiveling drain \varnothing 50 mm

Special features

- Plastic raw construction protection and fixing material
- Water connection G 1/2
- Flushing pressure: 0,12-0,4 Mpa
- Flush volume: consistent 3 ± 1 L

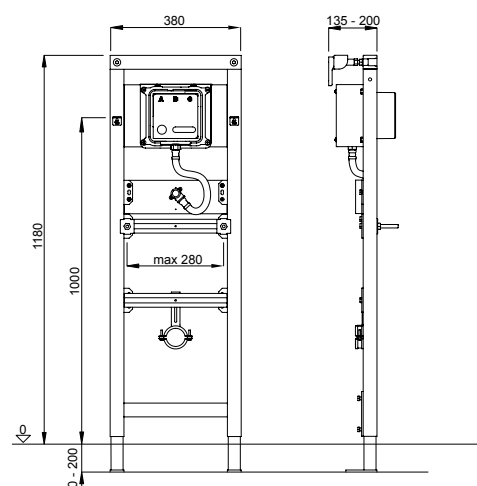
Product contains

- Fastening rod M8 (distance dimension up to 285 mm)
- Complete installation and fixing materials

Flushing plate for urinal needs to be ordered separately

For urinal sieves see page 32

Technical drawing



Matching flushing plates on pages 62-64



Article number: **8050452777**
 EAN-Code: 8711778229860
 Packing: 28 Pcs./Pallet

DUPLO UR 380 STEEL SV



Installation method

- Installation in prefabricated walls, pre-wall installation in dry walls, universal installation into solid walls

Properties

- Supporting, blue powder coated Urinal element, square profile 40x40 mm with pre-assembled in-wall mounted box
- Pre-assembled, pre-shut-off solenoid valve and water connection
- Pre-assembled wall brackets and adjustable feet (0-200 mm)
- Height adjustable with wall disc and inlet fitting
- Height adjustable and swiveling drain \varnothing 50 mm

Special features

- Styrofoam raw construction protection and fixing material
- Water connection G 1/2
- Flushing pressure: 0,12-0,4 MPa
- Flush volume: consistent 3 ± 1 L

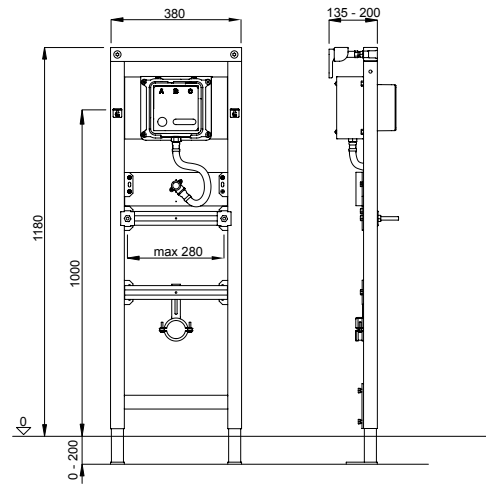
Product contains

- Fastening rod M8 (distance dimension up to 285 mm)
- Complete installation and fixing materials

Flushing plate for urinal needs to be ordered separately

For urinal sieves see page 32

Technical drawing



Matching flushing plates on page 81

UR STEEL SV



Article number: **8050452758**
 EAN-Code: 8711778137875
 Packing: 28 Pcs./Pallet

DUPLO UR 380 ELECTR.TRAP



Installation method

- Installation in prefabricated walls, pre-wall installation in dry walls, universal installation into solid walls

Properties

- Supporting, blue powder coated Urinal element, square profile 40x40 mm
- Pre-assembled, pre-shut-off solenoid valve and water connection
- Pre-assembled wall brackets and adjustable feet (0-200 mm)
- Height adjustable retaining plate for wall panels
- Height adjustable and swiveling drain \varnothing 50 mm

Special features

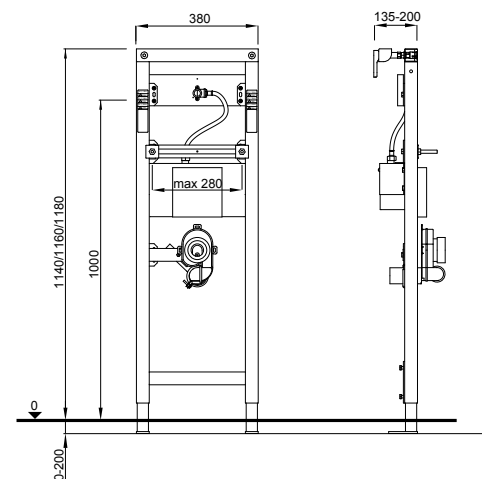
- Urinal suction trap incl. sensor and supply line
- Electronic unit and power supply 230 / 6V
- Flushing volume: constant $3 \pm 0,5$ L
- Flow pressure: 0.15-1.0 MPa
- Supply connection: G 1/2 AG
- 3 cleaning and 3 rinsing programs can be selected by the supplied magnetic key (from outside through the ceramic)

Product contains

- Fastening rod M8 (distance dimension up to 285 mm)
- Complete installation and fixing materials

For urinal sieves see page 32

Technical drawing



Article number: **8050452756**
 EAN-Code: 8711778125735
 Packing: 28 Pcs./Pallet

DUPLO UR 380



Installation method

- Installation in prefabricated walls, pre-wall installation in dry walls, universal installation into solid walls

Properties

- Supporting, blue powder coated Urinal element, square profile 40x40 mm
- Pre-assembled wall brackets and adjustable feet (0-200 mm)
- Height adjustable retaining plate for wall panels
- Height adjustable and swiveling drain \varnothing 50 mm

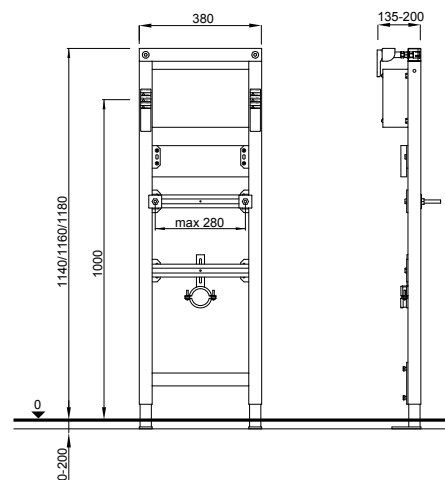
Product contains

- Fastening rod M8 (distance dimension up to 285 mm)
- Complete installation and fixing materials

Suitable for installation of standard concealed flush valves

For urinal sieves see page 32

Technical drawing



Article number: **8050452751**
 EAN-Code: 8711778118645
 Packing: 28 Pcs./Pallet

DUPLO UR 380 135 IR 230V



Installation method

- Installation in prefabricated walls, pre-wall installation in dry walls, universal installation into solid walls

Properties

- Supporting, blue powder coated Urinal element, square profile 40x40 mm
- Pre-assembled fixing elements and adjustable feet (0-200 mm)

Special features

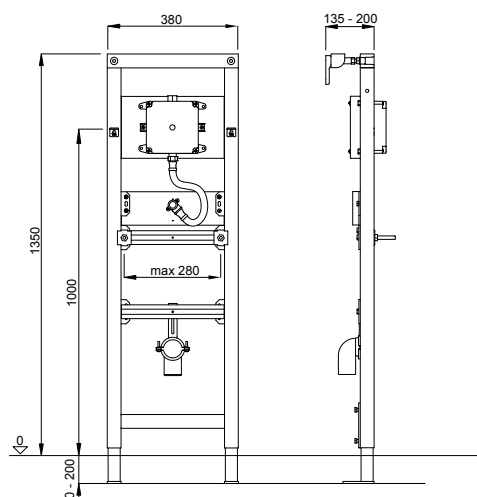
- Height adjustable bracket for mounting urinals
- Height adjustable bracket for urinal support
- Height adjustable plate with brass angle connector
- Height adjustable and rotating drain elbow \varnothing 50 mm

Product contains

- IR shell set mains operation 230 V
- Fastening rod M8 (distance measurement up to 285 mm)
- Metal tube \varnothing 20/20 mm with a \varnothing 20 mm connecting elbow
- Complete installation and fixing material
- Without inlet fitting and concealed trap

Please order the complete set for IR urinal flushing separately (See page 81)

Technical drawing



IR-urinal control (230 V) see pages 81



Article number: **4060452775**
 EAN-Code: 8711778213982
 Packing: 16 Pcs./Pallet

DUPLO UR 380 135 IR 9V



Installation method

- Installation in prefabricated walls, pre-wall installation in dry walls, universal installation into solid walls

Properties

- Supporting, blue powder coated Urinal element, square profile 40x40 mm
- Pre-assembled fixing elements and adjustable feet (0-200 mm)

Special features

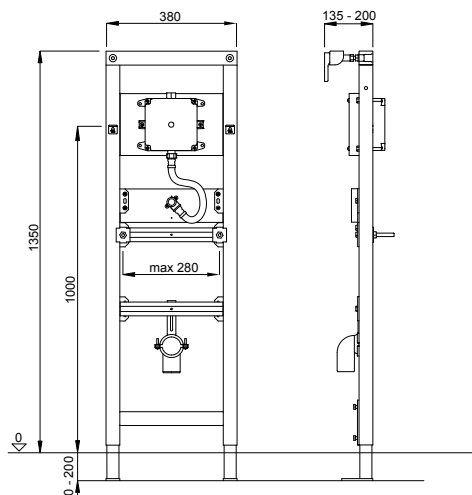
- Height adjustable bracket for mounting urinals
- Height adjustable bracket for urinal support
- Height adjustable plate with brass angle connector
- Height adjustable and rotating drain elbow \varnothing 50 mm

Product contains

- IR shell set 9V
- Fastening rod M8 (distance measurement up to 285 mm)
- Metal tube \varnothing 20/20 mm with a \varnothing 20 mm connecting elbow
- Complete assembly and mounting material
- Without inlet fitting and concealed trap

Please order the complete set for IR urinal flushing separately (See page 82)

Technical drawing



IR-urinal control (9 V) see page 82



Article number: **4060452779**
EAN-Code: 8711778213999
Packing: 16 Pcs./Pallet

DUPLO WT 380



Installation method

- Installation in prefabricated walls, pre-wall installation in dry walls, universal installation into solid walls

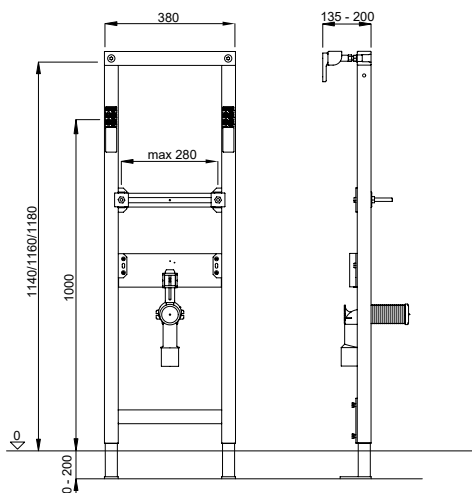
Properties

- Supporting, blue powder coated washbasin element, C-Profil 40x40 mm
- Pre-assembled fixing elements and adjustable feet (0-200 mm)
- Height adjustable traverse for wash table mounting
- Height adjustable retaining plate for wall panels
- Height adjustable and swiveling elbow DN 40 / 50 with rubber seal for connection pipes DN 32 and DN 40

Product contains

- Protective cap for unfinished construction
- Fastening rod M10 (distance dimension up to 280 mm)
- Complete assembly and mounting material

Technical drawing



Article number: **8050452721**
EAN-Code: 8711778118638
Packing: 28 Pcs./Pallet

DUPLO WT 380 CONCEALED TRAP



Installation method

- Installation in prefabricated walls, pre-wall installation in dry walls, universal installation into solid walls

Properties

- Supporting, blue powder coated washbasin element, C-Profil 40x40 mm
- Pre-assembled fixing elements and adjustable feet (0-200 mm)
- Height adjustable traverse for wash table mounting
- Height adjustable retaining plate for wall panels
- Removable odor seal insert, height adjustable plastic elbow – white, cover rosette

Special features

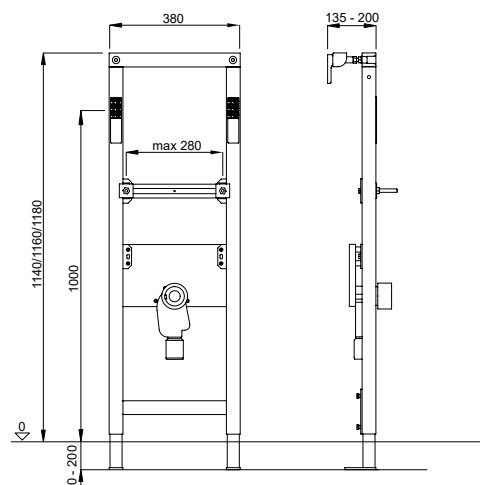
- Wall mounting trap DN 50

Product contains

- Protective cap for unfinished construction
- Fastening rod M10 (distance dimension up to 280 mm)
- Complete assembly and mounting material

Available on request

Technical drawing



Article number: 8050452723

EAN-Code: 8711778121102

Packing: 28 Pcs./Pallet

DUPLO WT 380 FX



Installation method

- Installation in prefabricated walls, pre-wall installation in dry walls, universal installation into solid walls

Properties

- Supporting, blue powder coated washbasin element, C-Profil 40x40 mm
- Pre-assembled fixing elements and adjustable feet (0-200 mm)

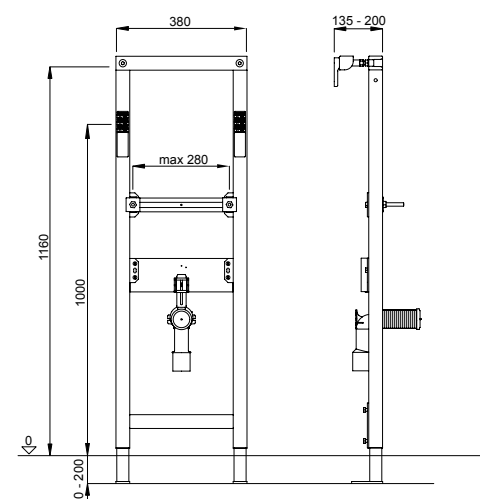
Special features

- Traverse for washing table mounting is not adjustable

Product contains

- PE drain elbow, DN 40 / 50, with seal
- Complete assembly and mounting material

Technical drawing



Article number: 4060452773

EAN-Code: 8711778213975

Packing: 28 Pcs./Pallet

DUPLO WT 380 88 cm



Installation method

- Installation in prefabricated walls, pre-wall installation in dry walls, universal installation into solid walls

Properties

- Supporting, blue powder coated washbasin element, C-Profil 40x40 mm
- Pre-assembled fixing elements and adjustable feet (0-200 mm)

Special features

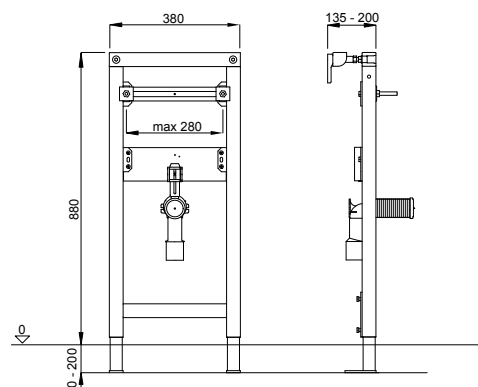
- Height 880 mm

Product contains

- PE drain elbow, DN 40 / 50, with seal
- Complete assembly and mounting material

Available on request

Technical drawing

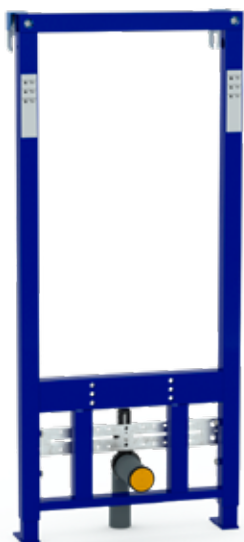


Article number: **4060452771**

EAN-Code: 8711778213968

Packing: 30 Pcs./Pallet

DUPLO BD



Installation method

- Installation in prefabricated walls, pre-wall installation in dry walls, universal installation into solid walls

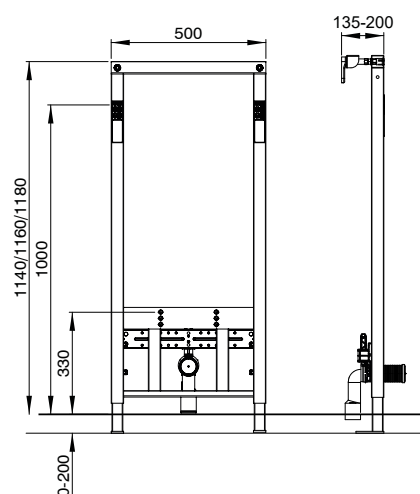
Properties

- Supporting, blue powder coated bidet element, square profile 40x40 mm
- Pre-assembled fixing elements and adjustable feet (0-200 mm)
- Height-adjustable retaining plate for wall panels
- Height adjustable and swiveling drain elbow DN 40 / 50 with rubber seal for connection pipes DN 32 and DN 40

Product contains

- Fastening rod M12 (distance dimension 180 mm)
- Protective cap for raw construction and fixing material

Technical drawing



Article number: **8050452911**

EAN-Code: 8711778103726

Packing: 18 Pcs./Pallet

DUPLO BD 59 cm



Installation method

- For pre-wall mounting as well as for mounting in metal stud walls

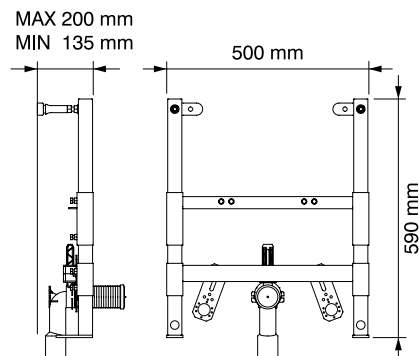
Properties

- Supporting, blue powder coated bidet element, square profil 40x40 mm
- Pre-assembled fixing elements and adjustable feet (0-200 mm)
- Height-adjustable retaining plate for wall mounted tap ware
- Height adjustable and swiveling elbow DN 40 / 50 with rubber seal for connection pipes DN 32 and DN 40

Product contains

- Fastening rod M12 (distance dimension 180 mm)
- Protection cap for structural work and fixing material

Technical drawing



Article number: **8050452769**

EAN-Code: 8711778203662

Packing: 48 Pcs./Pallet

DUPLO SP 380



Installation method

- Installation in prefabricated walls, pre-wall installation in dry walls, universal installation into solid walls

Properties

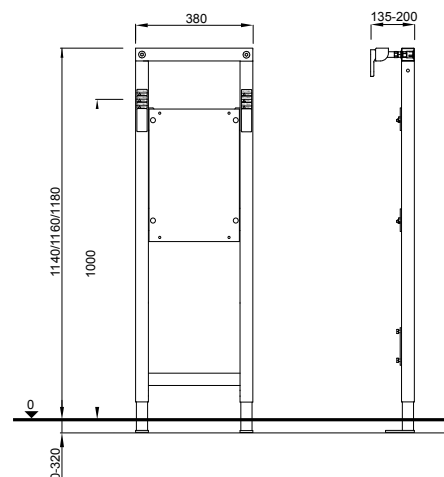
- Supporting, blue powder coated support element for support bars/urinal panels, square profile 40x40 mm
- Pre-assembled fixing elements and adjustable feet (0-200 mm)
- Multi glued water resistant wooden fixing plate for support and urinal separation panels

Product contains

- Complete installation and fixing materials

Urinal separation panel - see page 32

Technical drawing



Article number: **8050452997**

EAN-Code: 8711778103788

Packing: 28 Pcs./Pallet

DUPLO SK



Installation method

- Installation in prefabricated walls, pre-wall installation in dry walls, universal installation into solid walls

Properties

- Supporting, blue powder coated sink element, square profile 40x40 mm
- Pre-assembled fixing elements and adjustable feet (0-200 mm)

Special features

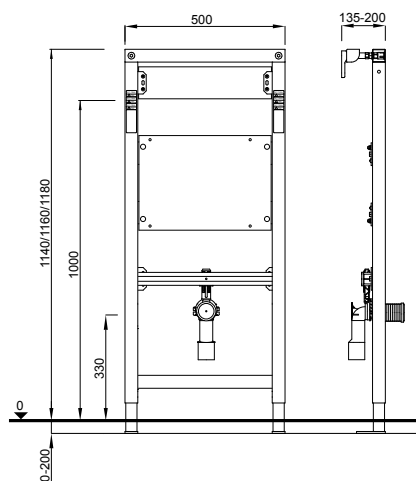
- Multi glued water resistant mounting plate for support
- Height adjustable retaining plate for wall panels
- Height adjustable and swiveling drain elbow DN 40 / 50 with rubber seal for connection pipes DN 32 and DN 40

Product contains

- Complete installation and fixing materials

Available on request

Technical drawing

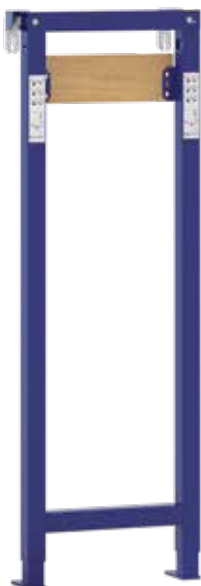


Article number: 8050452724

EAN-Code: 8711778121119

Packing: 6 Pcs./Pallet

DUPLO SH 380



Installation method

- Installation in prefabricated walls, pre-wall installation in dry walls, universal installation into solid walls

Properties

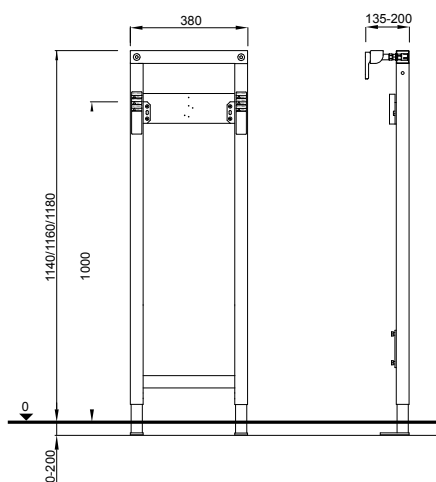
- Supporting, blue powder coated support frame for installation of tapware beside a bath or shower, square profile 40x40 mm
- Pre-assembled fixing elements and adjustable feet (0-200 mm)
- Multiglued water resistant mounting plate for support
- Height adjustable retaining plate for wall panels

Product contains

- Complete installation and fixing materials

Available on request

Technical drawing



Article number: 8050452741

EAN-Code: 8711778121188

Packing: 28 Pcs./Palette

DUPLO IL



Installation method

- For installation in combination with DUPLO frames
- When frames are too far apart

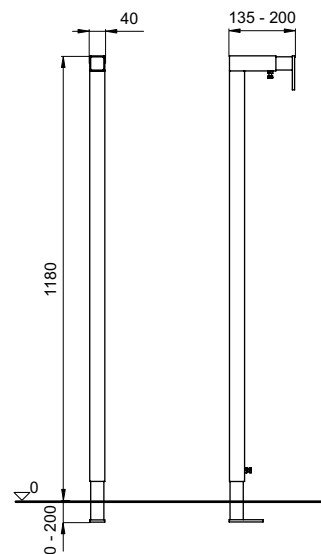
Properties

- Supporting, blue powder coated support frame, square profile 40x40 mm
- Can be used on the left or a right end
- Adjustable in depth and height (135-200 mm)

Product contains

- Complete installation and fixing materials

Technical drawing



Article number: **8050421416**
 EAN-Code: 8711778112346

TROKADERO ELEMENT



Installation method

- Installation in prefabricated walls, pre-wall installation in drywall, universal solid masonry with wall mounting

Properties

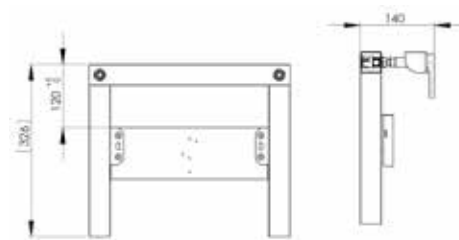
- Pre-assembled support, blue powder coated support frame, square profile 40x40 mm
- The element with a cistern enables the installation of a reinforcing tap
- Installed hanging shell (Trocadero), connected to the cistern, allows filling the container with water via a fitting mounted on the element
- Wooden panel for installing the valve

Product contains

- Set of material for installation and fastening
- Suitable for mounting on the DUPLO 387 concealed cistern
- The concealed cistern and activation button must be ordered separately

The flushing element is used in schools, kindergartens, hospitals, multi-apartment new buildings, homes for the elderly, camps, restaurants, industry or wherever there is a service area for cleaning services.

Technical drawing



Article number: **4060452744**
 EAN-Code: 8711778228436
 Packing: 1 Pcs./Palett

Wall fixation kit bottom

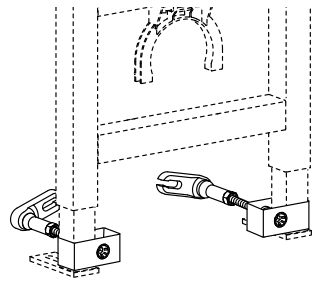
Installation method

- For installation without floor fixation

Product contains

- Installation material

Technical drawing



Article number: **8050452974**
EAN-Code: 8711778158191

Corner fixation kit

Installation method

- For corner installation

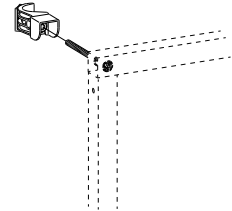
Properties

- Different angles are possible 0° - 90°

Product contains

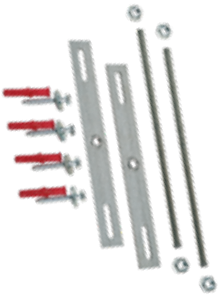
- Installation material

Technical drawing



Article number: **8050452972**
EAN-Code: 8711778108660

Stabilization set

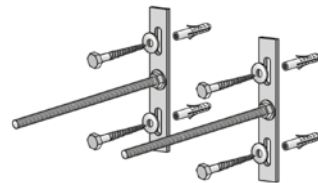


Installation method

- For additional fixation in barrier-free WC facilities

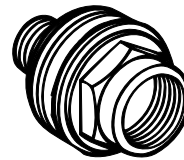
Product contains

- Complete installation and fixing materials, screws and anchors



Article number: **363298**
EAN-Code: 3838912031815

Wall washer



Installation method

- Wall panel suitable for sanitary elements

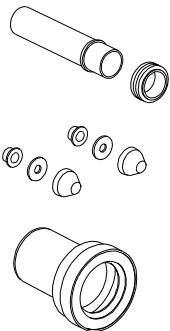
Properties

- G 1/2 AG flight-sealing x G 1/2 IG
- With noise protection

WISA

Article number: **8050472059**
EAN-Code: 8711778114944

Standard WC connection kit



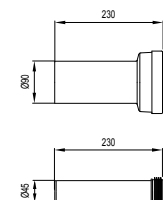
Properties

- Material: PP
- Length = 230 mm
- Universal
- Color: black

Product contains

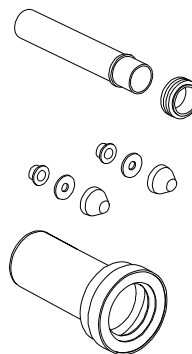
- Discharge extension Ø 90 mm
- Flush pipe extension Ø 45 mm
- Two nut covers
- Key seal

Technical drawing



Article number: **8050390080**
EAN-Code: 8711778120815

Extra-long WC connection kit



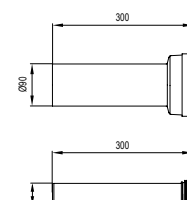
Properties

- Material: PP
- Length = 300 mm
- Universal
- Color: black

Product contains

- Discharge extension Ø 90 mm
- Flush pipe extension Ø 45 mm
- Two nut covers
- Key seal

Technical drawing



WISA

Article number: **8050390081**
EAN-Code: 8711778120822

Discharge elbow 90 x 90 mm



Installation method

- For built-in systems

Properties

- Material: PE-HD
- Universal
- Color: black

Adapter Ø 90/110 mm



Properties

- Material: PE-HD
- Off center
- Universal
- Color: black
- Suitable as straight connection for built-in systems

WISA®

Article number: **8050390090**
EAN-Code: 8711778141278

WISA®

Article number: **8050390091**
EAN-Code: 8711778141285

Adapter Ø 90/100 mm



Properties

- Material: ABS
- Universal
- Color: black
- Suitable as straight connection for built-in systems

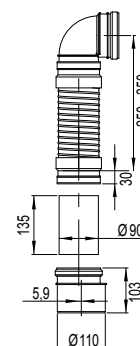
Flexifon built-in



Properties

- Flexible discharge elbow
- Universal for all built-in systems
- With reducer Ø 90 / 110 mm
- Color: black

Technical drawing



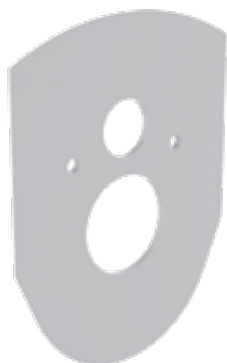
WISA®

Article number: **8050887372**
EAN-Code: 8711778122420

WISA®

Article number: **8050390086**
EAN-Code: 8711778139220
Packing: 15 Pcs./Carton

Vario cover plate



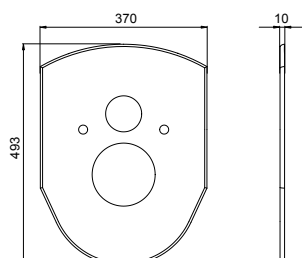
Installation method

- Cover plate between pan and wall

Properties

- Material: PE
- Color: white

Technical drawing



WISA®

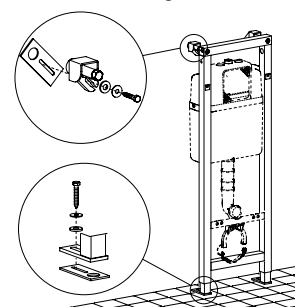
Article number: **1409983910**
EAN-Code: 8711778068094

Sound insulation kit

Product contains

- Including 4 rubber dampers for reducing the sound-level to less than 30 dB(A) according to DIN 4109/A1.

Technical drawing



Article number: **8050390114**
EAN-Code: 8711778124950

Insulation kit for toilet and bidet



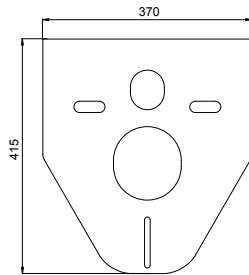
Installation method

- For insulation between toilet or bidet pan and tiles

Properties

- Color: white

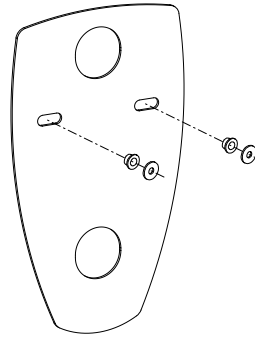
Technical drawing



WISA®

Article number: **1409141000**
EAN-Code: 8711778113220

Insulation kit for urinal



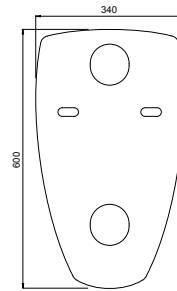
Installation method

- For urinals

Properties

- Color: white

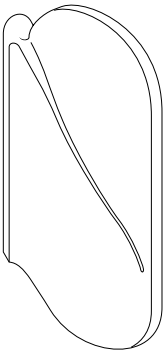
Technical drawing



WISA®

Article number: **1409141003**
EAN-Code: 8711778113251

Urinal separation panel



Installation method

- For urinals

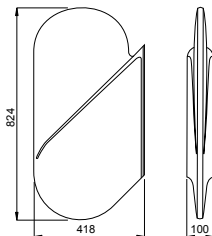
Properties

- Material: polystyrene
- Easy to clean surface
- Color: white

Product contains

- Complete fixing materials

Technical drawing



WISA®

Article number: **8090390500**
EAN-Code: 8711778049789

Urinal sieve – blue

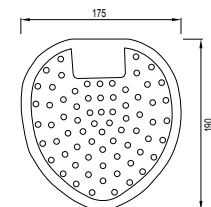


Properties

- Blue rubber urine sieve
- Spread a pleasant fragrance 3 to 4 weeks
- The soft and flexible material
- Fit the urine sieves into each urinal
- Reduce the urination next to the urinal
- Reduce urine clogging
- For a clean and fresh urinal
- Color: blue

WISA Clean by Fresco Blue

Technical drawing



Article number: **6050453401**
EAN-Code: 8711778184374

Urinal sieve – red

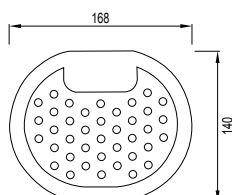


WISA Clean by Fresco Blue

Properties

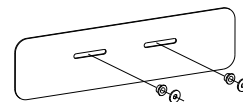
- Red rubber urine sieve
- Spread a pleasant fragrance 3 to 4 weeks
- The soft and flexible material
- Fit the urine sieves into each urinal
- Reduce the urination next to the urinal
- Reduce urine clogging
- For a clean and fresh urinal
- Color: red

Technical drawing



Article number: **6050453301**
EAN-Code: 8711778184367

Insulation kit for washbasin



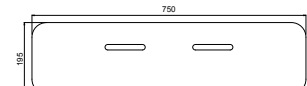
Installation method

- For washbasins

Properties

- Color: white

Technical drawing



WISA®

Article number: **1409141002**
EAN-Code: 8711778113244



The height-adjustable VarioTronic cistern has been specially developed for:

- hospitals and other health care facilities
- residential houses, with the independent and comfortable toilets
- apartments for elderly people
- rehabilitation centers

35 VARIOTRONIC

36 VARIOTRONIC GLASS

36 VARIOTRONIC HPL

36 VARIOTRONIC CONN. DWC

36 VARIOTRONIC SUPPORTING HANDLES



VarioTronic



Installation method

- A pre-wall system, electrically height adjustable and equipped with a 380 UP cistern

Properties

- Supporting, blue powder coated WC element, square profile 40x40 mm with pre-assembled 380 UP cistern
- Front flushing, dual flushing (3/6 L)
- Flush volume adjustable (6-7,5 L)
- Pre-assembled wall brackets and adjustable footrests 0-200mm
- Fully insulated against condensation

Special features

- Hydraulic filling valve (noise class 1 according to ISO 3822)
- The height of the toilet can be easily adjusted by 20 cm (-2 cm / + 18 cm) by means of a remote control
- The minimum height of the wall toilet (upper edge of ceramic) is 38 cm
- The maximum height 58 cm
- The system is provided with stainless steel plates on both sides and on the shelf (this is also the maintenance access of the element)
- The side and storage surfaces are made of high-quality stainless steel
- The front of the element can be selected in HPL (standard color white) or in safety glass (color black or white)
- Optional folding support handles are also available in black or white

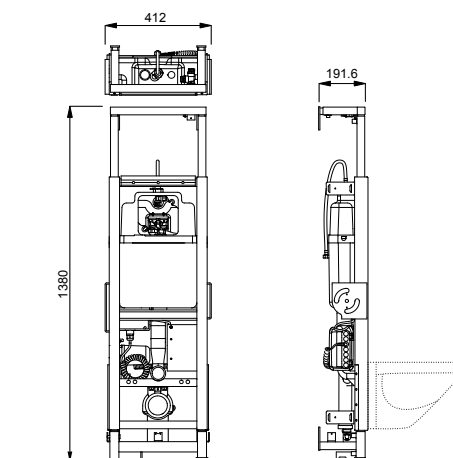
Product contains

- Cistern, complete with stop valve – top middle
- Water connection G 1/2
- PE drain elbow Ø 90 mm with seal
- Eccentric PE adapter Ø 90 / 110 mm with seal
- Complete installation and fixing material

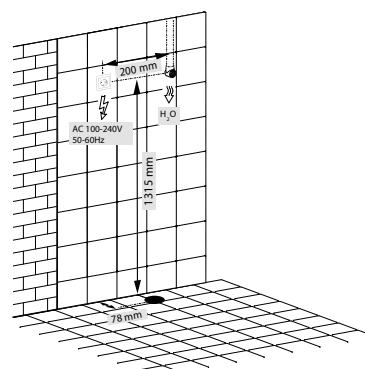
Flushing plate needs to be ordered separate

CE EN 14055 - CL1 - 6 - NL I - VR I

Technical drawing



Requirements for installation



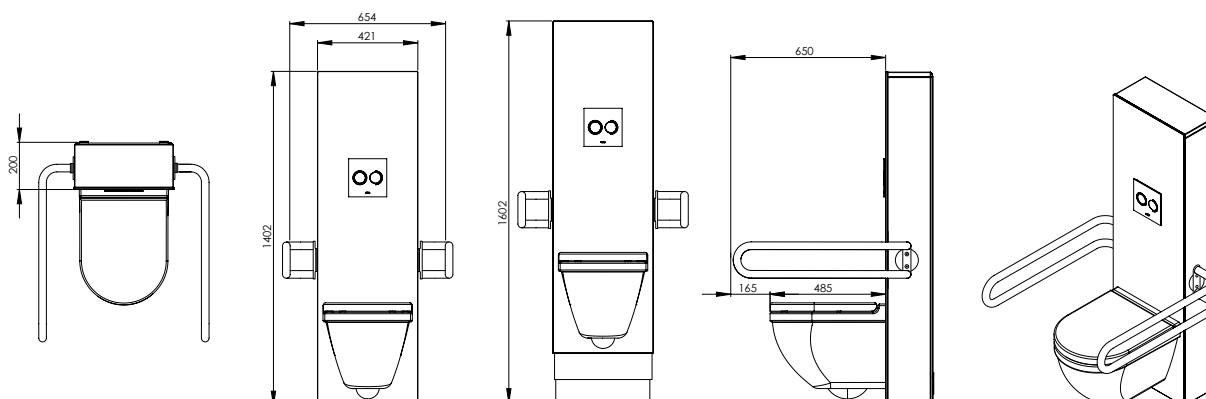
OWISA

Article number: 8050482101
EAN code: 8711778200746

Matching flushing plates on pages 59-67



Optimal accessibility, freedom of movement and choice



VarioTronic Glass



Installation method

- For VarioTronic pre-wall system

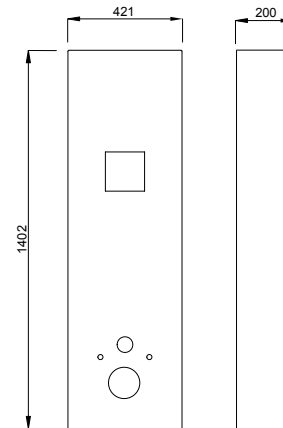
Properties

- The front of the element in safety glass
- Stainless steel side panels and top

Color: white
Article number: **8050482501**
EAN code: 8711778200760

Color: black
Article number: **8050482338**
EAN code: 8711778200753

Technical drawing



WISA®

VarioTronic HPL



Installation method

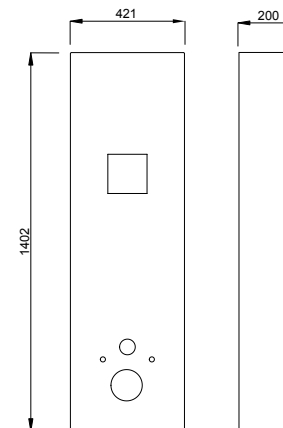
- For VarioTronic pre-wall system

Properties

- The front of the element in HPL
- Stainless steel side panels and top

Color: white
Article number: **8050482701**
EAN code: 8711778200777

Technical drawing



WISA®

VarioTronic CONN. DWC



Installation method

- For VarioTronic pre-wall system, electrically height-adjustable

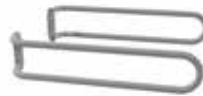
Properties

- T piece between inlet and cistern
- Connecting shower toilet

WISA®

Article number: **8050482801**
EAN code: 8711778202894

VarioTronic supporting handles



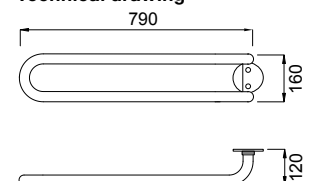
Installation method

- For VarioTronic pre-wall system
- Lateral mounting of the support handles on the system

Properties

- The support handles move with the element
- The support handles are easy to mount (dismantled)
- Color: white, black
- Toilet roll + holder for remote control bracket
- Bracket in total for left and right hand use

Technical drawing



WISA®

Color: white
Article number: **8050482201**
EAN code: 8711778202832

Color: black
Article number: **8050482401**
EAN code: 8711778202870

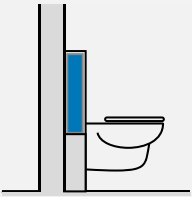
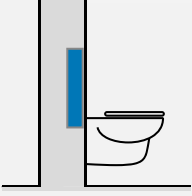


The SET WC product line is the perfect choice for anyone looking for a classic pre-wall installation or mounting on a solid wall, suitable for new buildings as well as renovations of bathrooms and sanitary facilities.

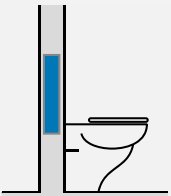
UP concealed flushing cisterns are an excellent choice for sanitary installations equipped with floor-mounted toilets.

-
- 39 SET WC 380
 - 39 SET WC 189
 - 41 SET WC 399
 - 41 SET WC 199
 - 42 SET WC 198
 - 43 UP 380
 - 43 UP 189
 - 44 UP 399
 - 44 UP 199
 - 45 UP 198
 - 47 UP 387
 - 48 ACCESSORIES

SET WC

| Installation | SET WC | | | | | |
|----------------------|--|-----|-----|-----|------|---|
| | 380 | 189 | 399 | 199 | 198* | |
| Built-in with bricks |  | ■ | ■ | ■ | ■ | ■ |
| |  | ■ | ■ | ■ | ■ | ■ |

UP CONCEALED CISTERNS

| Installation | UP CONCEALED CISTERNS | | | | | |
|----------------------|---|-----|-----|-----|-----|------|
| | 380 | 189 | 399 | 199 | 387 | 198* |
| Built-in with bricks |  | ■ | ■ | ■ | ■ | ■ |

* phase out product

SET WC 380



Installation method

- For installation on or in solid walls

Properties

- Galvanized WC element with pre-assembled 380 UP concealed cistern
- Frontal flushing, for start-stop (6 L) or dual flushing (3/6 L)
- Flush volume adjustable between 6 and 7.5 L
- Water connection possibility on four positions
- Fully insulated against condensation

Special features

- Quiet Hydraulic Fill valve (Noise class 1 ISO 3822)

Product contains

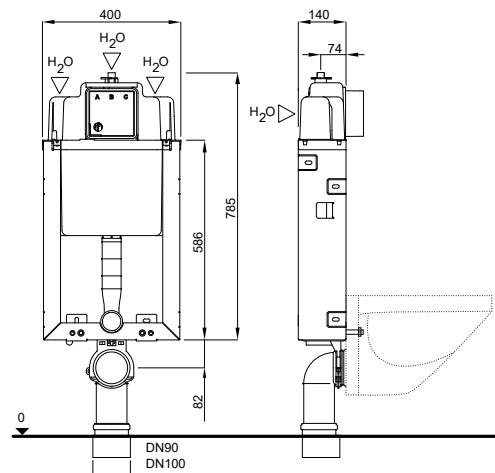
- Concealed cistern equipped with pre-installed stop valve – top middle
- Water connection G 1/2
- PE drain elbow Ø 90 mm with seal
- Eccentric PE adapter Ø 90 / 110 mm with seal
- Complete installation and fixing materials

Foot supports need to be ordered separately (see page 48)

Flushing plate needs to be ordered separately

CE EN 14055 - CL1 - 6 - NL I - VR I

Technical drawing



Matching flushing plates on pages 59-67



Article number: 4060452104
EAN-Code: 8711778213753
Packing: 24 Pcs./Pallet

SET WC 189 BLOCK



Installation method

- For installation on or in solid walls

Properties

- Galvanized WC element with pre-assembled 189 UP concealed cistern
- Frontal flushing, for start-stop (6 L) or dual flushing (3/6 L)
- Flush volume adjustable (large flush 5/6/7 L, small flush 3/4 L)
- Water connection possibility on four positions
- Fully insulated against condensation

Special features

- Quiet Mechanical Fill valve (Noise class 1 ISO 3822)
- Cistern completely protected by Styrofoam housing

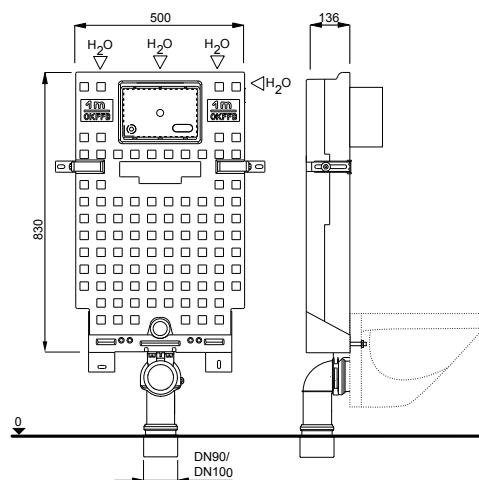
Product contains

- Concealed cistern equipped with pre-installed stop valve – top right
- Water connection G 1/2
- PE drain elbow Ø 90 mm with seal
- Eccentric PE adapter Ø 90 / 110 mm with seal
- Complete installation and fixing material

Flushing plate needs to be ordered separately

CE EN 14055 - CL 1 - 6 - NL I - VR I

Technical drawing



Matching flushing plates on pages 68-71



Article number: 383586
EAN-Code: 3838912025326
Packing: 24 Pcs./Pallet

SET WC 189 PREMIUM



Installation method

- For installation on or in solid walls

Properties

- Galvanized WC element with pre-assembled 189 UP concealed cistern
- Frontal flushing, for start-stop (6 L) or dual flushing (3/6 L)
- Flush volume adjustable (large flush 5/6/7 L, small flush 3/4 L)
- Water connection possibility on four positions
- Fully insulated against condensation
- Wall mounting of the depth-adjustable cassette for greater mounting flexibility

Special features

- Quiet Mechanical Fill valve (Noise class 1 ISO 3822)
- Styrofoam cover

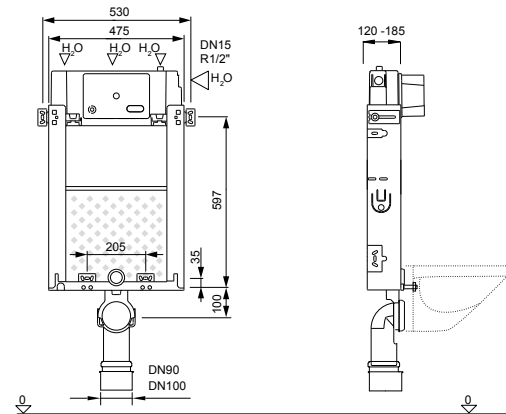
Product contains

- Concealed cistern equipped with pre-installed stop valve – top right
- Water connection G 1/2
- PE drain elbow \varnothing 90 mm with seal
- Eccentric PE adapter \varnothing 90 / 110 mm with seal
- Complete installation and fixing material

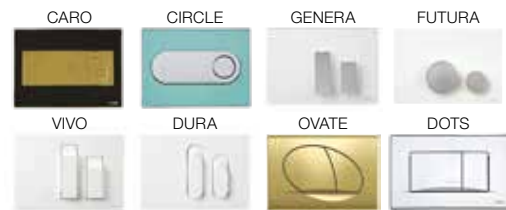
Foot supports need to be ordered separately (see page 48)

Flushing plate needs to be ordered separately

Technical drawing



Matching flushing plates on pages 68-71



Article number: **669920**
 EAN-Code: 3838912060105
 Packing: 24 Pcs./Pallet

SET WC 189



Installation method

- For installation on or in solid walls

Properties

- Galvanized WC element with pre-assembled 189 UP concealed cistern
- Frontal flushing, for start-stop (6 L) or dual flushing (3/6 L)
- Flush volume adjustable (large flush 5/6/7 L, small flush 3/4 L)
- Water connection possibility on four positions
- Fully insulated against condensation

Special features

- Quiet Mechanical Fill valve (Noise class 1 ISO 3822)

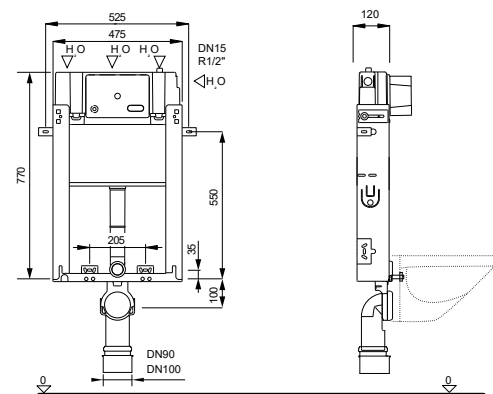
Product contains

- Concealed cistern equipped with pre-installed stop valve – top right
- Water connection G 1/2
- PE drain elbow \varnothing 90 mm with seal
- Eccentric PE adapter \varnothing 90 / 110 mm with seal
- Complete installation and fixing material

Foot supports need to be ordered separately (see page 48)

Flushing plate needs to be ordered separately

Technical drawing



Matching flushing plates on pages 68-71



Article number: **669925**
 EAN-Code: 3838912060112
 Packing: 24 Pcs./Pallet

SET WC 399



Installation method

- For installation on or in solid walls

Properties

- Galvanized WC element with pre-assembled 399 UP concealed cistern
- Frontal flushing, for start-stop (6 L) or dual flushing (3/6 L)
- Flush volume adjustable (large flush 4-7 L, small flush 2-3 L)
- Water connection - top center
- Fully insulated against condensation

Special features

- Quiet Hydraulic Fill valve (Noise class 1 ISO 3822)

Product contains

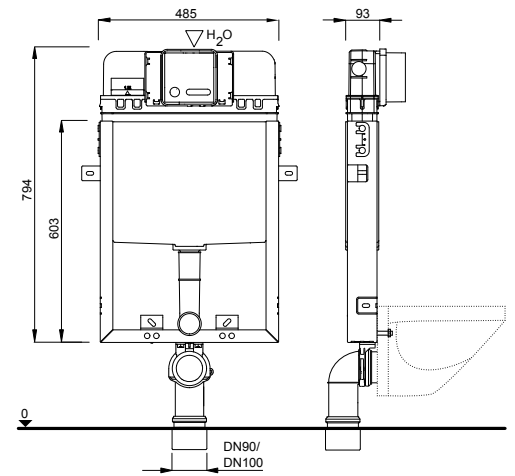
- Concealed cistern equipped with pre-installed stop valve – top center
- Water connection G 1/2
- PE drain elbow Ø 90 mm with seal
- PE adapter Ø 90 / 110 mm with seal
- Complete installation and fixing material

Foot supports need to be ordered separately (see page 48)

Flushing plate needs to be ordered separately

CE EN 14055 - CL 1 - 6 - NLI - VR I

Technical drawing



Matching flushing plates on pages 62-63



Article number: 4060452510
 EAN-Code: 8711778214248
 Packing: 22 Pcs./Pallet

SET WC 199



Installation method

- For installation on or in solid walls

Properties

- Galvanized WC element with pre-assembled 199 UP concealed cistern
- Frontal flushing, for dual flushing (3/6 L)
- Flush volume adjustable (large flush 4-7 L, small flush 2-3 L)
- Water connection – top center
- Fully insulated against condensation

Special features

- Quiet Hydraulic Fill valve (Noise class 1 ISO 3822)

Product contains

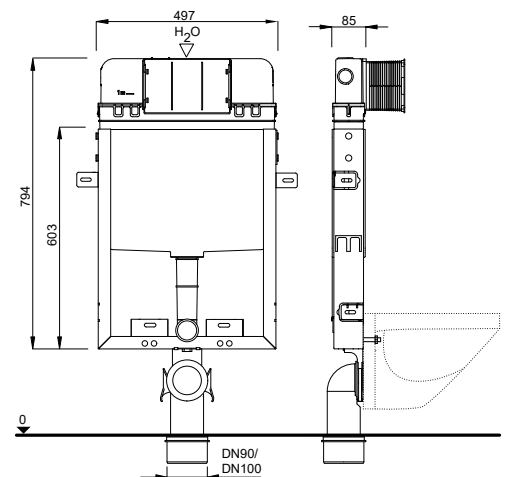
- Concealed cistern equipped with pre-installed stop valve – top center
- Water connection G 1/2
- PE drain elbow Ø 90 mm with seal
- PE adapter Ø 90 / 110 mm with seal
- Complete installation and fixing material

Foot supports need to be ordered separately (see page 48)

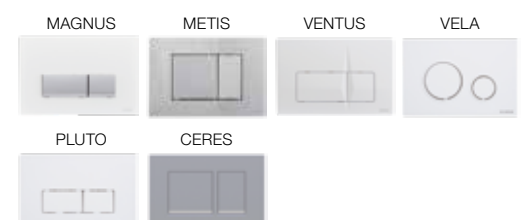
Flushing plate needs to be ordered separately

CE EN 14055 - CL 1 - 6 - NLI - VR I

Technical drawing



Matching flushing plates on pages 72-75



Article number: T02-0112-0250
 EAN-Code: 8681282614738
 Packing: 24 Pcs./Pallet

SET WC 198



Installation method

- For installation on or in solid walls

Properties

- Galvanized WC element with pre-assembled 198 UP concealed cistern
- Frontal flushing, for dual flushing (3/6 L)
- Flush volume adjustable (large flush 7-9 L, small flush 3-6 L)
- Water connection – top center
- Fully insulated against condensation

Special features

- Quiet Mechanical Fill valve (Noise class 1 ISO 3822)

Product contains

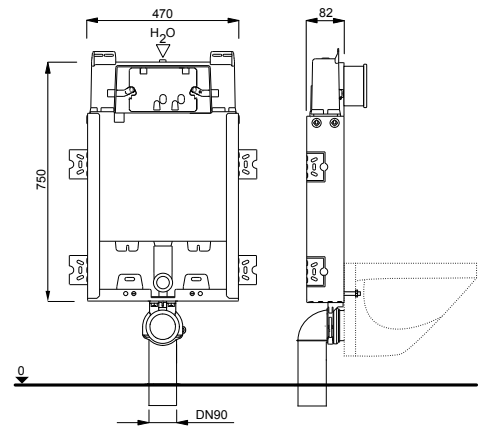
- Concealed cistern equipped with pre-installed stop valve – top center
- Water connection G 1/2
- PE drain elbow Ø 90 mm with seal
- PE adapter Ø 90 / 110 mm with seal
- Plaster net
- Complete installation and fixing material

Foot supports need to be ordered separately (see page 48)

Flushing plate needs to be ordered separately

CE EN 14055 - CL1 - 7 - NL I - VR I

Technical drawing



Matching flushing plates on pages 68-71



Article number: **337173**
 EAN-Code: 3838912030405
 Packing: 24 Pcs./Pallet

SET WC 198 PNEU



Installation method

- For installation on or in solid walls

Properties

- Galvanized WC element with pre-assembled 198 UP concealed cistern
- Frontal flushing, set for dual flush pneumatic operation 6-9 L
- Water connection – top center
- Fully insulated against condensation

Special features

- Quiet Hydraulic Fill valve (Noise class 1 ISO 3822)

Product contains

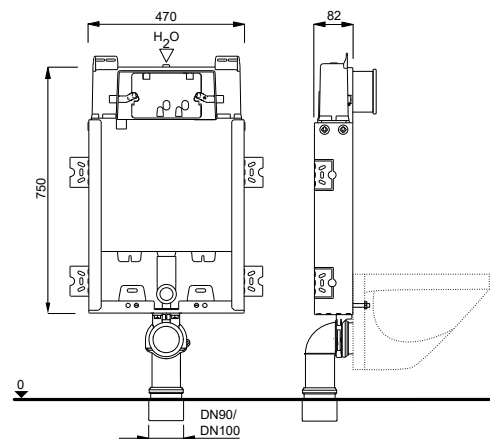
- Concealed cistern equipped with pre-installed stop valve – top center
- Water connection G 1/2
- PE drain elbow Ø 90 mm with seal
- PE adapter Ø 90 / 110 mm with seal
- Plaster net
- Complete installation and fixing material

Foot supports need to be ordered separately (see page 48)

Flushing system needs to be ordered separately

CE EN 14055 - CL 1 - 7 - NL I - VR I

Technical drawing



Flushing systems on page 84



Article number: **663265**
 EAN Code: 3838912042903
 Packing: 24 Pcs./Pallet

UP 380

**Installation method**

- Pre-wall installation or installation into a solid wall

Properties

- UP 380 concealed cistern
- Frontal flushing, for start-stop (6 L) or dual flushing (3/6 L)
- Flush volume adjustable between 6 and 7.5 L
- Water connection possibility on four positions
- Fully insulated against condensation

Special features

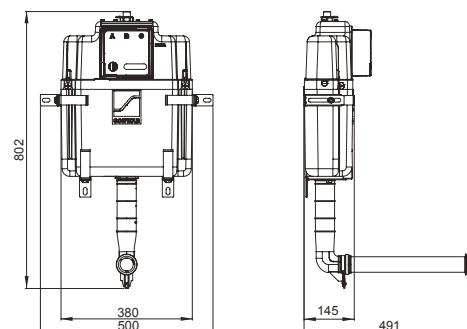
- Quiet Mechanical Fill valve (Noise class 1 ISO 3822)

Product contains

- Concealed cistern equipped with pre-installed stop valve – top middle
- Water connection G 1/2
- Flush pipe L=300 mm
- Mounting brackets
- Complete installation and fixing materials

Flushing plate needs to be ordered separately

EN 14055 CL 1 6 NL I VR I

Technical drawing**Matching flushing plates on pages 59-67**

Article number: **4060452802**
 EAN-Code: 8711778218543
 Packing: 19 Pcs./Pallet

UP 189

**Installation method**

- Pre-wall installation or installation into a solid wall

Properties

- 189 UP concealed cistern
- Frontal flushing, for start-stop (6 L) or dual flushing (3/6 L)
- Flush volume adjustable (large flush 5/6/7 L, small flush 3/4 L)
- Water connection possibility on four positions
- Fully insulated against condensation

Special features

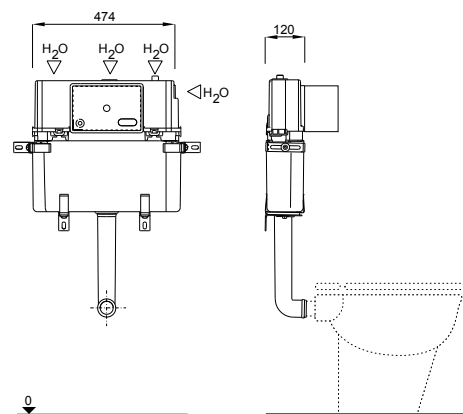
- Quiet Mechanical Fill valve (Noise class 1 ISO 3822)

Product contains

- Concealed cistern equipped with pre-installed stop valve – top right
- Water connection G 1/2
- Flush pipe L=300 mm
- Mounting brackets
- Complete installation and fixing material

Flushing plate needs to be ordered separately

CE EN 14055 - CL 1 - 6 - NL I - VR I

Technical drawing**Matching flushing plates on pages 68-71**

Article number: **385765**
 EAN-Code: 3838912025708
 Packing: 36 Pcs./Pallet

UP 399

**Installation method**

- Pre-wall installation or installation into a solid wall

Properties

- UP 399 concealed cistern
- Frontal flushing, for start-stop (6 L) or dual flushing (3/6 L)
- Flush volume adjustable (large flush 4-7 L, small flush 2-3 L)
- Water connection - top center
- Fully insulated against condensation

Special features

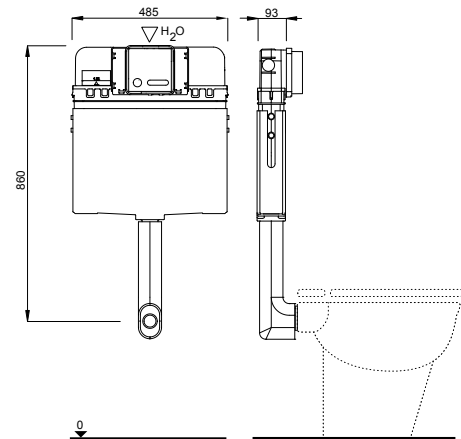
- Quiet Hydraulic Fill valve (Noise class 1 ISO 3822)

Product contains

- Concealed cistern equipped with pre-installed stop valve – top center
- Water connection G 1/2
- Flush pipe L=300 mm
- Plaster net
- Complete installation and fixing material

Flushing plate needs to be ordered separately

CE EN 14055 - CL1 - 6 - NL I - VR I

Technical drawing

Matching flushing plates on pages 62-64



Article number: 4060452504
EAN-Code: 8711778214231
Packing: 35 Pcs./Pallet

UP 199

**Installation method**

- Pre-wall installation or installation into a solid wall

Properties

- UP 199 concealed cistern
- Frontal flushing, for dual flushing (3/6 L)
- Flush volume adjustable (large flush 4-7 L, small flush 2-3 L)
- Water connection - top center
- Fully insulated against condensation

Special features

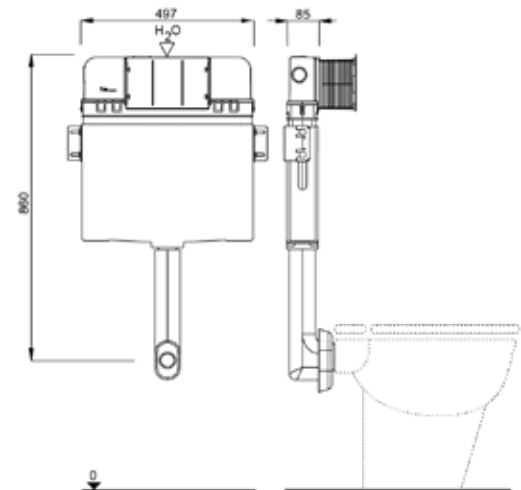
- Quiet Hydraulic Fill valve (Noise class 1 ISO 3822)

Product contains

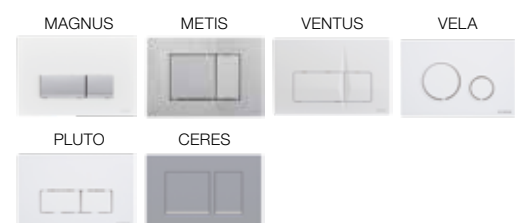
- Concealed cistern equipped with pre-installed stop valve – top center
- Water connection G 1/2
- Flush pipe L=300 mm
- Plaster net
- Complete installation and fixing material

Flushing plate needs to be ordered separately

CE EN 14055 - CL1 - 6 - NL I - VR I

Technical drawing

Matching flushing plates on pages 72-75



Article number: T02-0130-0250
EAN-Code: 8681282615087
Packing: 30 Pcs./Pallet

UP 199 ORIENTAL



Installation method

- Pre-wall installation or installation into a solid wall

Properties

- UP 199 concealed cistern
- Frontal flushing, for dual flushing (3/6 L)
- Flush volume adjustable (large flush 4-7 L, small flush 2-3 L)
- Water connection - top center
- Fully insulated against condensation

Special features

- Quiet Hydraulic Fill valve (Noise class 1 ISO 3822)

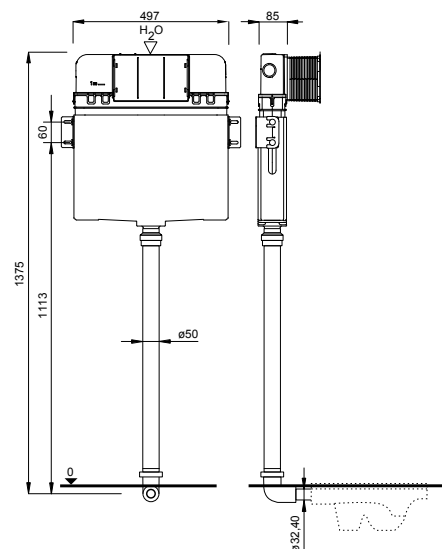
Product contains

- Concealed cistern equipped with pre-installed stop valve – top center
- Water connection G 1/2
- Protective channel and net
- Flush pipe and adapter seal
- Plaster net
- Complete installation and fixing material

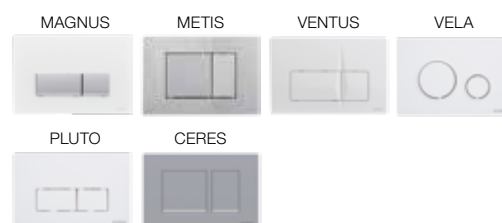
Flushing plate needs to be ordered separately

CE EN 14055 - CL1 - 6 - NL I - VR I

Technical drawing



Matching flushing plates on pages 72-75



Article number: **T02-0140-0250**

EAN-Code: 8681282671885

Packing: 30 Pcs./Pallet

UP 198



Installation method

- Pre-wall installation or installation into a solid wall

Properties

- UP 198 concealed cistern
- Frontal flushing, for dual flushing (3/6 L)
- Flush volume adjustable (large flush 7-9 L, small flush 3-6 L)
- Water connection - top center
- Fully insulated against condensation

Special features

- Quiet Mechanical Fill valve (Noise class 1 ISO 3822)

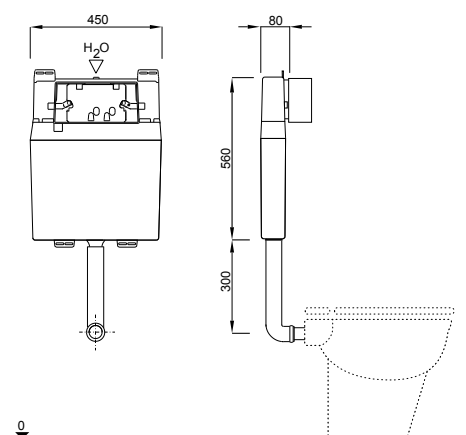
Product contains

- Concealed cistern equipped with pre-installed stop valve – top center
- Water connection G 1/2
- Flush pipe L=300 mm
- Plaster net
- Mounting brackets
- Complete installation and fixing material

Flushing plate needs to be ordered separately

CE EN 14055 - CL1 - 7 - NL I - VR I

Technical drawing



Matching flushing plates on pages 68-71



Article number: **323532**

EAN-Code: 3838912034113

Packing: 30 Pcs./Pallet

UP 198 ORIENTAL



Installation method

- Pre-wall installation or installation into a solid wall

Properties

- UP 198 concealed cistern
- Frontal flushing, for start-stop (6 L) or dual flushing (3/6 L)
- Flush volume adjustable (large flush 7-9 L, small flush 3-6 L)
- Water connection - top center
- Fully insulated against condensation

Special features

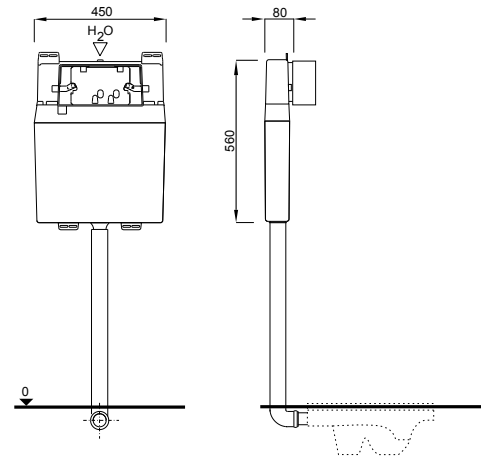
- Quiet Mechanical Fill valve (Noise class 1 ISO 3822)

Product contains

- Concealed cistern equipped with pre-installed stop valve – top center
- Water connection G 1/2
- Flush pipe L=640 mm
- Plaster net
- Mounting brackets
- Complete installation and fixing material

Flushing plate needs to be ordered separately

Technical drawing



Matching flushing plates on pages 68-71



Article number: **665716**
 EAN-Code: 3838912043702
 Packing: 30 Pcs./Pallet

UP 198 PNEU



Installation method

- Pre-wall installation or installation into a solid wall

Properties

- UP 198 concealed cistern
- Frontal flushing, set for dual flush pneumatic operation 6-9 L
- Water connection – top center
- Fully insulated against condensation

Special features

- Quiet Hydraulic Fill valve (Noise class 1 ISO 3822)

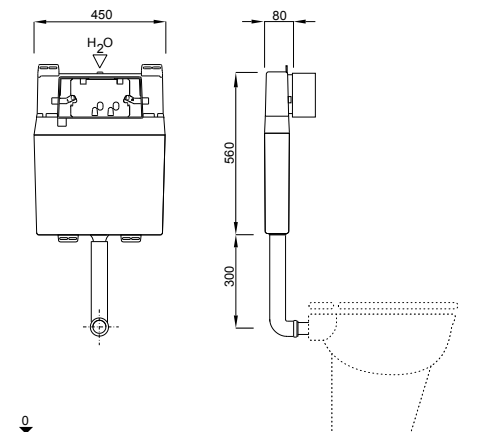
Product contains

- Concealed cistern equipped with pre-installed stop valve – top center
- Water connection G 1/2
- Flush pipe L=300 mm
- Mounting brackets
- Plaster net
- Complete installation and fixing material

Flushing system needs to be ordered separately

CE EN 14055 - CL1 - 7 - NLI - VR I

Technical drawing



Flushing systems on page 84



Article number: **663266**
 EAN code: 3838912043405
 Packing: 30 Pcs./Pallet

UP 387

**Installation method**

- Pre-wall installation or installation into a solid wall

Properties

- UP 387 concealed cistern
- Top or frontal flushing, dual flushing (3/6 L)
- Flush volume adjustable between 6 and 7.5 L
- Water connection – on the left side
- Fully insulated against condensation

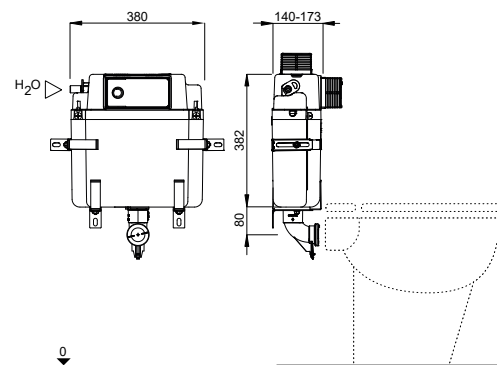
Special features

- Silent Hydraulic Fill valve (Noise class 1 ISO 3822)
- Suitable for pneumatic and mechanical flushing plates

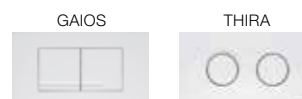
Product contains

- Concealed cistern equipped with pre-installed stop valve – on the left side
- Water connection G 1/2
- PE drain elbow \varnothing 90 mm with a gasket Eccentric
- PE adapter \varnothing 90 / 110 mm with a gasket
- Complete installation and fixing material
- Possible installation of flushing plates: GAIOS, THIRA

Flushing plate needs to be ordered separately

Technical drawing

Matching flushing plates on pages 76-77



Article number: 4060452807

EAN-Code: 8711778228153

Packing: 48 Pz./Pallet

Foot supports



Installation method

- As installation support for SET WC

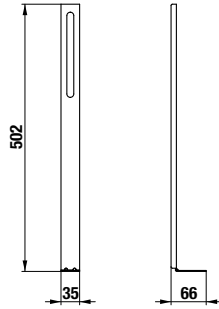
Properties

- U-shaped galvanized profile with bottom plates

Product contains

- Complete installation and fixing materials

Technical drawing



Article number: **645213**
EAN-Code: 3838912040701

Insulation kit for toilet and bidet



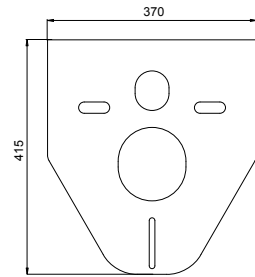
Installation method

- For insulation between toilet or bidet pan and tiles

Properties

- Color: white

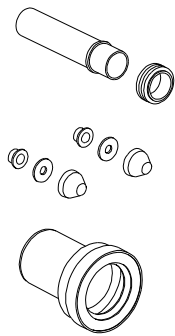
Technical drawing



WISA

Article number: **1409141000**
EAN-Code: 8711778113220

Standard WC connection kit



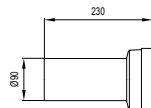
Properties

- Material: PP
- Length = 230 mm
- Universal
- Color: black

Product contains

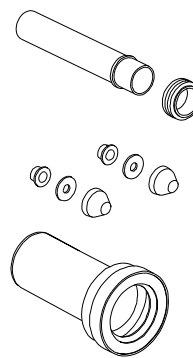
- Discharge extension \varnothing 90 mm
- Flush pipe extension \varnothing 45 mm
- Two nut covers
- Key seal

Technical drawing



Article number: **8050390080**
EAN-Code: 8711778120815

Extra-long WC connection kit



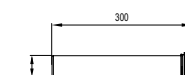
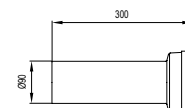
Properties

- Material: PP
- Length = 300 mm
- Universal
- Color: black

Product contains

- Discharge extension \varnothing 90 mm
- Flush pipe extension \varnothing 45 mm
- Two nut covers
- Key seal

Technical drawing



WISA

Article number: **8050390081**
EAN-Code: 8711778120822

Adapter Ø 90/100 mm**Properties**

- Material: ABS
- Universal
- Color: black
- Suitable as straight connection for built-in systems

WISA®

Article number: **8050887372**
 EAN-Code: 8711778122420

Discharge elbow 90 x 90 mm**Installation method**

- For built-in systems

Properties

- Material: PE-HD
- Universal
- Color: black

WISA®

Article number: **8050390090**
 EAN-Code: 8711778141278

Adapter Ø 90/110 mm**Properties**

- Material: PE-HD
- Off center
- Universal
- Color: black
- Suitable as straight connection for built-in systems

WISA®

Article number: **8050390091**
 EAN-Code: 8711778141285



The most sustainable, touchless sanitary ware for public, commercial and hospitality projects.

All IPEE products are designed and developed based on a three principle philosophy:

- Technology - All our packs hold unique smart features that add value for both the end user as well as the property owner and his maintenance team.
- Sustainability - Our mission to improve the environment gives rise to providing water saving products only.
- Simplicity - Our integrated approach results in easy to install and easy to use products without sacrificing quality of design.

53 TOILET PACKS

55 URINAL PACKS

56 VORTEX

THREE TRIMS TO FIT YOUR NEEDS

Every IPEE pack comes standard with all the features modern sanitary ware requires. However, we understand that sometimes you demand even more.

The **IPEE Basic** packs offer simple yet high quality ceramics in combination with stable, efficient flushing technology. The IPEE Basic packs are an ideal match for locations requiring affordable, durable sanitary ware.

IPEE Plus are the mid-level packs. They combine high-quality ceramics with best in class technology. The IPEE Plus packs respond perfectly to the challenges arising from situations where both design and efficiency are key.

By combining superb ceramics with our finest, full-option flushing technologies, the **IPEE Premium** packs offer the best of the best. The IPEE Premium packs are the perfect solution for projects where there can be no compromises on design, hygiene or user experience.



Perfecting detecting

IPEE Spectre flushing technology consists of two detecting systems that seamlessly work together to create the best touchless flushing technology on the market. A high-class presence sensor detects when a person is sitting on the toilet; another sensor is constantly monitoring what's happening inside the bowl: both water level and concentration are being checked. Only if both sensors indicate the toilet has been used and the user has stood up, the toilet will flush automatically. By perfecting the detecting technology, IPEE Spectre is able to eliminate false flushes once and for all.



Qualitative ceramics

All IPEE urinal packs include a high quality, durable ceramic urinal. The minimal yet refined designs of IPEE urinals fit perfectly in every bathroom or washroom. Plus and Premium urinal packs (U3 & U5) are coated with Hydrofobe+ ceramic glaze. This coating guarantees that products will be easy to clean and will provide perfect hygiene. It offers an ultrasmooth surface where dirt nor bacteria can linger.

State-of-the-art technology

IPEE flushing technology is designed and developed to be fully integrated into the back of urinals. It holds all the intelligent features you'd expect from a modern flushing system - and more! Since the flushing systems are mounted completely invisible to the user, they are very resistant to vandalism, making them ideal for commercial sanitary ware.



T1 TOILET PACK BASIC



Installation type

- Ceramic toilet with pre-mounted IPEE technology + toilet frame

Ceramic

- Series Dome
- Type: Standard sized toilet
- Coating: Standard glazing
- Flush type: Rimless
- Specialties: With softclose toilet seat
- Norms EN 997, EN 33

Toilet frame

- Flushing volume 6L
- Height 1180 - 1380 mm
- Width 380 mm
- Depth 140 - 200 mm
- Norms EN 14055, NF D12-208

Technology

- Sensor technology: IR + IPEE Spectre
- Flushing volume: Single flush
- Sensor plate: Stainless steel
- Manual override detection
- Overflow prevention
- Power 230V
- Norms EN 61000-6-3

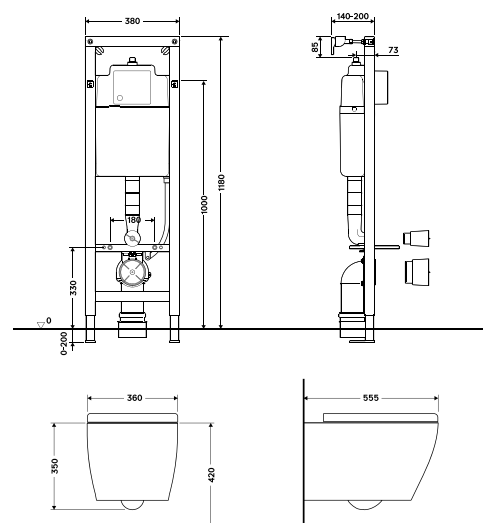
Special features

- Overflow prevention technology
- No false flushes

Included in set

- Ceramic toilet with pre-mounted IPEE technology
- Duroplast softclose seat
- Stainless steel sensor plate
- 230V power supply

Technical drawing



OWISA × **ipee**

| Article no. | EAN code | Description |
|-------------|---------------|---|
| 8050452734 | 8711778220416 | IPEE XS Toilet Frame |
| 6055700231 | 8711778221208 | T1, single flush, sensor plate in stainless steel |

T3 TOILET PACK PLUS



Installation type

- Ceramic toilet with pre-mounted IPEE technology + toilet frame

Ceramic

- Series Dome
- Type: Standard sized toilet
- Coating: Standard glazing
- Flush type: Rimless
- Specialties: With softclose toilet seat
- Norms EN 997, EN 33

Toilet frame

- Flushing volume 3L / 6L
- Height 1180 - 1380 mm
- Width 380 mm
- Depth 140 - 200 mm
- Norms EN 14055, NF D12-208

Technology

- Sensor technology: IR + IPEE Spectre
- Flushing volume: Dual flush
- Sensor plate: Stainless steel
- Manual override detection
- Overflow prevention
- Power 230V
- Norms EN 61000-6-3

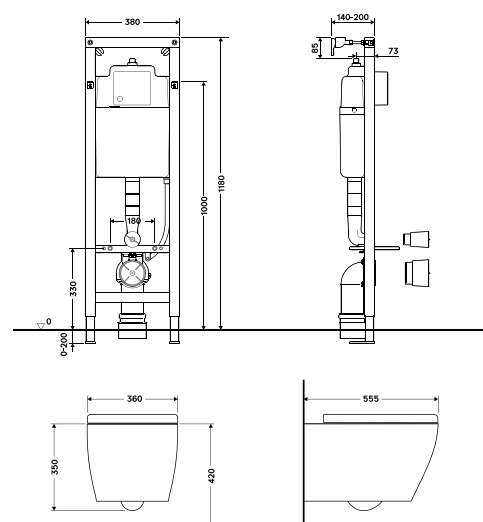
Special features

- Dual flush 3L / 6L
- Overflow prevention technology
- No false flushes

Included in set

- Ceramic toilet with pre-mounted IPEE technology
- Duroplast softclose seat
- Stainless steel sensor plate
- 230V power supply

Technical drawing



OWISA × **ipee**

| Article no. | EAN code | Description |
|-------------|---------------|---|
| 8050452734 | 8711778220416 | IPEE XS Toilet Frame |
| 6055700233 | 8711778221215 | T3, dual flush, sensor plate in stainless steel |

T5 TOILET PACK PREMIUM



Installation type

- Ceramic toilet with pre-mounted IPEE technology + toilet frame

Ceramic

- Series Dome
- Type: Standard sized toilet
- Coating: Standard glazing
- Flush type: Rimless
- Specialties: With thin softclose toilet seat
- Norms EN 997, EN 33

Toilet frame

- Flushing volume 3L / 6L
- Height 1180 - 1380 mm
- Width 380 mm
- Depth 140 - 200 mm
- Norms EN 14055, NF D12-208

Technology

- Sensor technology: IR + IPEE Spectre
- Flushing volume: Dual flush
- Sensor plate: Glass
- Manual override detection
- Overflow prevention
- Power 230V
- Norms EN 61000-6-3

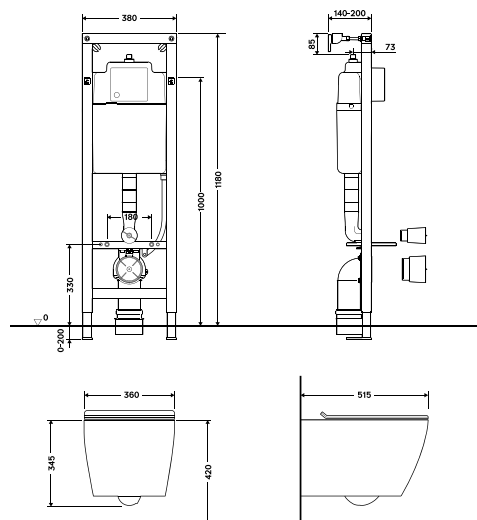
Special features

- Glass finish
- Dual flush 3L / 6L
- Overflow prevention technology
- No false flushes

Included in set

- Ceramic toilet with pre-mounted IPEE technology
- Thin duroplast softclose seat
- Black glass sensor plate
- 230V power supply

Technical drawing



OWISA × **ipee**

| Article no. | EAN code | Description |
|-------------|---------------|---|
| 8050452734 | 8711778220416 | IPEE XS Toilet Frame |
| 6055700238 | 8711778221239 | T5, dual flush, sensor plate in black glass |
| 6055700201 | 8711778221222 | T5, dual flush, sensor plate in white glass |

U1 URINAL PACK BASIC



Installation type

- Ceramic urinal + integrated automatic flush system

Ceramic

- Series Edge
- Flush type: Rim flush
- Norms EN 13407, EN80

Technology

- Sensor technology IPEE Mini
- Flushing volume Adjustable: 0,8L - 1,5L - 3,0L
- Overflow prevention
- Stadium mode
- Manual override button
- Installation: Hidden
- Norms EN 274, EN 61000-6-3, EN 15091

Special features

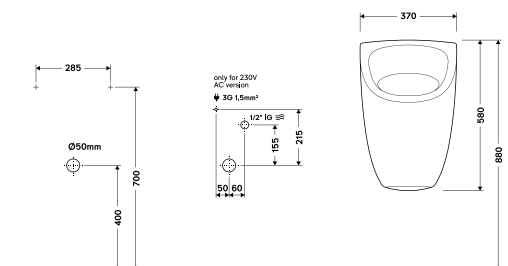
- No false flushes
- Overflow prevention
- Vandal proof
- Quick & easy to install

Included in set

- Ceramic urinal
- IPEE Mini flushing system
- Horizontal trap
- Hoses, valve, power adapter, mounting set



Technical drawing



| Article no. | EAN code | Description |
|-------------|---------------|-----------------|
| 6055700082 | 8711778220683 | U1, 230 V |
| 6055700083 | 8711778220690 | U1, Battery 6 V |

U3 URINAL PACK PLUS



Installation type

- Ceramic urinal + integrated automatic flush system

Ceramic

- Series Dome
- Coating Hydrophobe+ glazing
- Flush type: Rim flush
- Norms EN 13407, EN80

Technology

- Sensor technology IPEE Vortex
- Flushing volume: Adjustable: 0,8L - 1,5L - 3,0L
- Overflow prevention
- Manual override button
- Installation: Hidden
- Norms EN 274, EN 61000-6-3, EN 15091

Special features

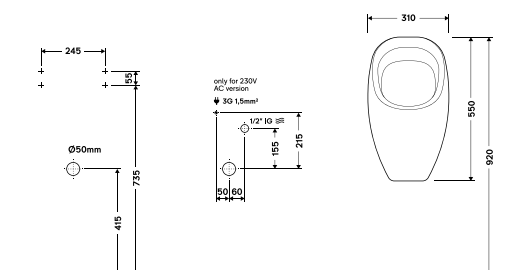
- No false flushes
- Overflow prevention
- Vandal proof
- Quick & easy to install

Included in set

- Ceramic urinal
- IPEE Vortex flushing system
- Horizontal trap
- Hoses, valve, power adapter, mounting set



Technical drawing



| Article no. | EAN code | Description |
|-------------|---------------|-----------------|
| 6055700084 | 8711778220713 | U3, 230 V |
| 6055700085 | 8711778220706 | U3, Battery 6 V |

Available on request

U5 URINAL PACK PREMIUM



Installation type

- Ceramic urinal + integrated automatic flush system

Ceramic

- Series Conic
- Coating Hydrophobe+ glazing
- Flush type Rimless + spreader
- Specialties LED spreader
- Norms EN 13407, EN80

Technology

- Sensor technology IPEE Vortex
- Flushing volume: Adjustable: 0,8L - 1,5L - 3,0L
- Overflow prevention
- Manual override button
- LED feedback
- Installation: Hidden
- Norms EN 274, EN 61000-6-3, EN 15091

Special features

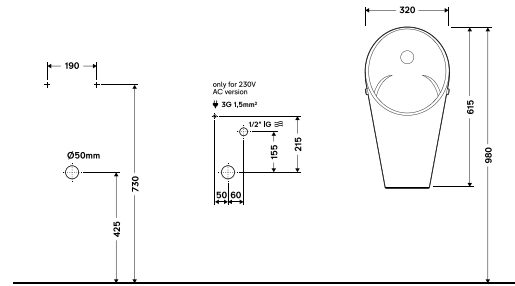
- Rimfree design
- No false flushes
- Overflow prevention
- Vandal proof
- Quick & easy to install

Included in set

- Ceramic urinal
- IPEE Vortex flushing system
- LED spreader
- Horizontal trap
- Hoses, valve, power adapter, mounting set

Available on request

Technical drawing



ipee

| Article no. | EAN code | Description |
|-------------|---------------|-----------------|
| 6055700086 | 8711778220737 | U5, 230 V |
| 6055700087 | 8711778220720 | U5, Battery 6 V |

VORTEX



Installation type

- Upgrade kit

Technology

- Sensor technology IPEE Vortex
- Flushing volume: Adjustable: 0,8L - 1,5L - 3,0L
- Overflow prevention
- Installation: Hidden
- Norms EN 274, EN 61000-6-3, EN 15091

Special features

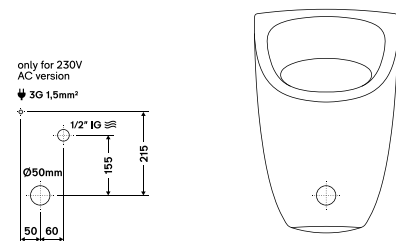
- No false flushes
- Overflow prevention
- Vandal proof
- Quick & easy to install

Included in set

- IPEE Vortex flushing system
- Horizontal trap
- Hoses, valve, power adapter, mounting set

Available on request

Technical drawing



ipee

| Article no. | EAN code | Description |
|-------------|---------------|---------------------|
| 6055700090 | 8711778220751 | VORTEX, 230 V |
| 6055700091 | 8711778220744 | VORTEX, Battery 6 V |



Schwab flushing plates not only convince with their elegant design, but also with economic aspects. Dual flushing technology enables a household with 4 people to save up to 40,000 liters of drinking water per year!

-
- 59 FLUSHING PLATES FOR WC ELEMENTS 380 AND 399
 - 68 FLUSHING PLATES FOR WC ELEMENTS 189 AND 198
 - 72 FLUSHING PLATES FOR WC ELEMENTS 199
 - 75 FLUSHING PLATES FOR WC ELEMENTS 387
 - 79 ACCESSORIES
 - 81 FLUSHING PLATES FOR URINAL
 - 82 FLUSHING SYSTEMS

FLUSHING PLATES

| Flushing plate model | Control | CONCEALED CISTERNS | | | | | |
|----------------------|------------|--------------------|-----|-----|-----|-----|------|
| | | 380 | 189 | 399 | 199 | 387 | 198* |
| NEA DUO | electronic | ■ | | | | | |
| VERIA | mechanical | ■ | | | | | |
| VERIA DUO | mechanical | ■ | | ■ | | | |
| ATENA | mechanical | ■ | | | | | |
| ATENA DUO | mechanical | ■ | | ■ | | | |
| ARTE | mechanical | ■ | | | | | |
| ARTE DUO | mechanical | ■ | | ■ | | | |
| ITEA | pneumatic | ■ | | | | | |
| ITEA DUO | pneumatic | ■ | | | | | |
| CARO | mechanical | | ■ | | | | ■ |
| CIRCLE | mechanical | | ■ | | | | ■ |
| GENERA | mechanical | | ■ | | | | ■ |
| FUTURA | mechanical | | ■ | | | | ■ |
| VIVA | mechanical | | ■ | | | | ■ |
| DURA | mechanical | | ■ | | | | ■ |
| OVATE DUO | mechanical | | ■ | | | | ■ |
| DOTS DUO | mechanical | | ■ | | | | ■ |
| MAGNUS | mechanical | | | | ■ | | |
| METIS | mechanical | | | | ■ | | |
| VENTUS | mechanical | | | | ■ | | |
| PLUTO | mechanical | | | | ■ | | |
| VELA | mechanical | | | | ■ | | |
| CERES | mechanical | | | | ■ | | |
| KATION DUO | mechanical | | | | | ■ | |
| GAIOS DUO | electronic | | | | | ■ | |
| KANTOS | mechanical | | | | | ■ | |
| THIRA DUO | pneumatic | | | | | ■ | |

* phase out product

NEA DUO



NEA DUO



White
Article number: **4060419811**
EAN-Code: 8711778197640

Installation method

- For installation on concealed flushing cisterns

Properties

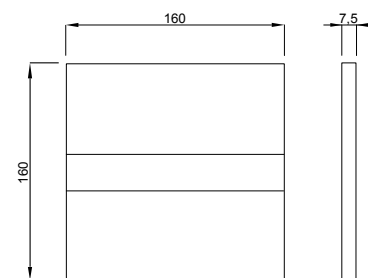
- Hygienic non-contact flushing with infrared technology
- Material: high quality plastic
- Dual flushing
- For 380 UP concealed cistern

Special features

- Easy installation and service
- Setting options via SCHWAB Tronic app (see page 61)

Product contains

- Complete fixing material
- Incl. lifting unit with servo motor
- Excl. power supply

Technical drawing

The following power supplies are possible,
see pages 79
UP power supply, plug-in power supply,
hydro generator, battery

Packing: 12 Pcs./Carton

NEA DUO GLASS



NEA DUO GLASS



White
Article number: **4060419821**
EAN-Code: 8711778213470



Black
Article number: **4060419638**
EAN-Code: 8711778213425

Installation method

- For installation on concealed flushing cisterns

Properties

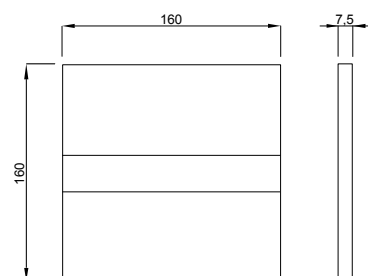
- Hygienic non-contact flushing with infrared technology
- Material: tempered glass
- Color: white, black
- Dual flushing
- For 380 UP concealed cistern

Special features

- Easy installation and service
- Floating impression through shadow gap
- Setting options via SCHWAB Tronic app (see page 61)

Product contains

- Complete fixing material
- Incl. lifting unit with servo motor
- Excl. power supply

Technical drawing

The following power supplies are possible,
see pages 79
UP power supply, plug-in power supply,
hydro generator, battery

Packing: 12 Pcs./Carton

NEA DUO STEEL DESIGN



NEA DUO STEEL DESIGN



Stainless steel
Article number: **4060419640**
EAN-Code: 8711778213432

Installation method

- For installation on concealed flushing cisterns

Properties

- Hygienic non-contact flushing with infrared technology
- Material: stainless steel
- Dual flushing
- For 380 UP concealed cistern

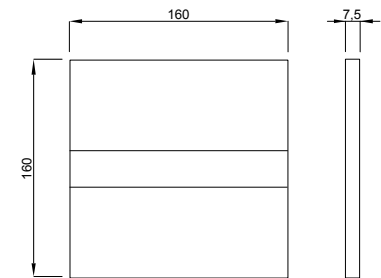
Special features

- Easy installation and service
- Floating impression through shadow gap
- Setting options via SCHWAB Tronic app (see page 61)

Product contains

- Complete fixing material
- Incl. lifting unit with servo motor
- Excl. power supply

Technical drawing



The following power supplies are possible, see pages 79
UP power supply, plug-in power supply, hydro generator, battery

Packing: 12 Pcs./Carton

NEA DUO STEEL SV



NEA DUO STEEL SV



Stainless steel
Article number: **4060505601**
EAN-Code: 8711778213487

Installation method

- For installation on concealed flushing cisterns

Properties

- Hygienic non-contact flushing with infrared technology
- Material: stainless steel
- Dual flushing
- For 380 UP concealed cistern

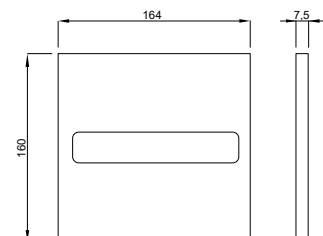
Special features

- Easy installation and service
- Suitable for (semi) public areas
- Interchangeable window
- Hidden fixation
- Setting options via SCHWAB Tronic app (see page 61)

Product contains

- Complete fixing material
- Incl. lifting unit with servo motor
- Excl. power supply

Technical drawing



The following power supplies are possible, see pages 79
UP power supply, plug-in power supply, hydro generator, battery

Packing: 12 Pcs./Carton

NEA STEEL VB / NEA DUO STEEL VB



NEA STEEL VB
Article number: **4060419655**
EAN-Code: 8711778213456



NEA DUO STEEL VB
Article number: **4060419650**
EAN-Code: 8711778213449

Installation method

- For installation on concealed flushing cisterns

Properties

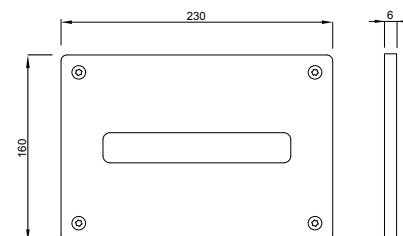
- Hygienic non-contact flushing with infrared technology
- Material: stainless steel
- Start-Stop flushing (NEA STEEL VB)
- Dual flushing (NEA DUO STEEL VB)
- For 380 UP concealed cistern

Special features

- Easy installation and service
- Suitable for (semi) public areas
- Interchangeable window
- Fixation with 4 torx screws
- Setting options via SCHWAB Tronic app (see page 61)

Product contains

- Complete fixing material
- Incl. lifting unit with servo motor
- Excl. power supply

Technical drawing

The following power supplies are possible,
see pages 79
UP power supply, plug-in power supply,
hydro generator, battery

Packing: 12 Pcs./Carton

SCHWAB Tronic App



With a special SCHWAB application for your mobile phone or tablet, you can completely and simply change the settings of the flushing plate.

You can download the SCHWAB Tronic App for free at the Google play store or the Apple App Store.

Settings:

- Hygienic flushing
- Interval hygienic flushing
- Automatic flushing / walk away
- Color of the lighting (any color possible)
- PIN code
- System diagnostics
- Statistics

Power Modes:

- Wake up
- Wake up Eco
- Wake up Eco +
- Always light on

VERIA / VERIA DUO



VERIA



White
Article number: **4060414501**
EAN-Code: 8711778212909



Matt chrome
Article number: **4060414531**
EAN-Code: 8711778212916



Bright chrome
Article number: **4060414551**
EAN-Code: 8711778212923

Installation method

- For installation on concealed flushing cisterns

Properties

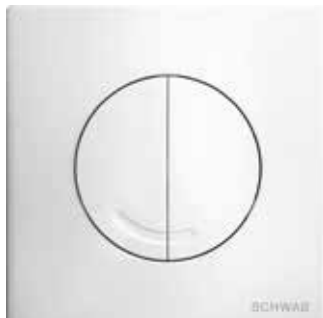
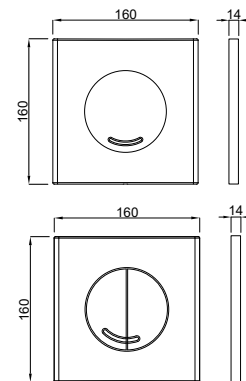
- Material: high quality plastic
- Start-Stop flushing (VERIA)
- Dual flushing (VERIA DUO)
- Color: white, matt chrome, bright chrome, pergamon
- For 380 UP concealed cistern
- For 399 UP concealed cistern (VERIA DUO)
- For DUPLOR element article number 8050452777 (VERIA)

Special features

- Easy installation and service

Product contains

- Complete fixing material

Technical drawing

VERIA DUO



White
Article number: **4060414601**
EAN-Code: 8711778212930



Matt chrome
Article number: **4060414631**
EAN-Code: 8711778212961



Bright chrome
Article number: **4060414651**
EAN-Code: 8711778212978



Pergamon
Article number: **4060414614**
EAN-Code: 8711778212954

Packing: 20 Pcs./Carton

VERIA DUO ANTIBAC



VERIA DUO ANTIBAC



White
Article number: **4060414602**
EAN-Code: 8711778212947

Installation method

- For installation on concealed flushing cisterns

Properties

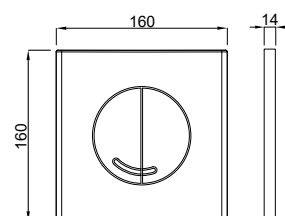
- Material: high quality plastic
- Dual flushing
- Color: white
- For 380 UP concealed cistern

Special features

- Easy installation and service
- With silver ions for antibacterial effect

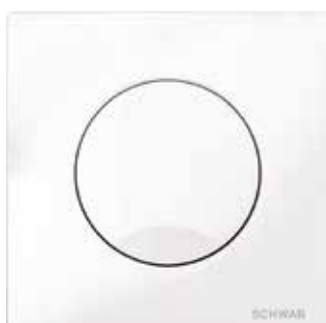
Product contains

- Complete fixing material

Technical drawing

Packing: 20 Pcs./Carton

ATENA / ATENA DUO



ATENA



White
Article number: **4060414301**
EAN-Code: 8711778212848



Matt chrome
Article number: **4060414331**
EAN-Code: 8711778212855



Bright chrome
Article number: **4060414351**
EAN-Code: 8711778212862

Installation method

- For installation on concealed flushing cisterns

Properties

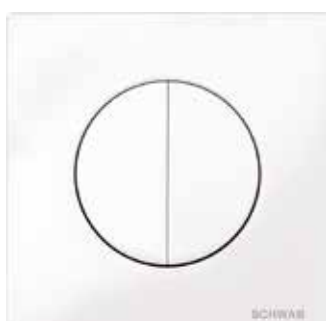
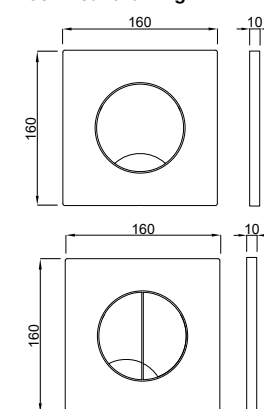
- Material: high quality plastic
- Start-Stop flushing (ATENA)
- Dual flushing (ATENA DUO)
- Color: white, matt chrome, bright chrome
- For 380 UP concealed cistern
- For 399 UP concealed cistern (ATENA DUO)
- For DUPLO UR element article number 8050452777 (ATENA)

Special features

- Easy installation and service

Product contains

- Complete fixing material

Technical drawing

ATENA DUO



White
Article number: **4060414401**
EAN-Code: 8711778212879



Matt chrome
Article number: **4060414431**
EAN-Code: 8711778212886



Bright chrome
Article number: **4060414451**
EAN-Code: 8711778212893

Packing: 20 Pcs./Carton

ARTE / ARTE DUO



ARTE



White*
Article number: **4060415501**
EAN-Code: 8711778212985



Matt chrome*
Article number: **4060415531**
EAN-Code: 8711778212992



Bright chrome
Article number: **4060415551**
EAN-Code: 8711778213005

Installation method

- For installation on concealed flushing cisterns

Properties

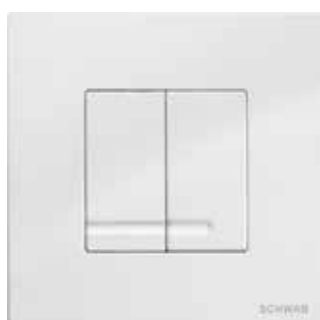
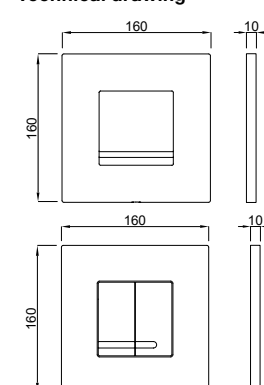
- Material: high quality plastic
- Start-Stop flushing (ARTE)
- Dual flushing (ARTE DUO)
- Color: white, matt chrome, bright chrome, black
- For 380 UP concealed cistern
- For 399 UP concealed cistern (ARTE DUO)
- For DUPLO UR element article number 8050452777 (ARTE)

Special features

- Easy installation and service

Product contains

- Complete fixing material

Technical drawing

ARTE DUO



White
Article number: **4060415601**
EAN-Code: 8711778213012



Matt chrome
Article number: **4060415631**
EAN-Code: 8711778213029



Bright chrome
Article number: **4060415651**
EAN-Code: 8711778213043



Black*
Article number: **4060415638**
EAN-Code: 8711778213036

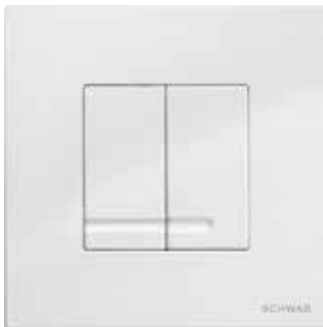
Packing: 12 Pcs./Carton

* Available on request

ARTE METALL / ARTE DUO METALL



ARTE METALL



ARTE DUO METALL



White
Article number: **4060414101**
EAN-Code: 8711778212817



Matt chrome
Article number: **4060414131**
EAN-Code: 8711778212824



Bright chrome
Article number: **4060414151**
EAN-Code: 8711778212831



White
Article number: **4060414001**
EAN-Code: 8711778213951



Matt chrome
Article number: **4060414031**
EAN-Code: 8711778212770



Matt/Bright chrome*
Article number: **4060414050**
EAN-Code: 8711778212787



Bright chrome
Article number: **4060414051**
EAN-Code: 8711778212794



Bright/Matt chrome*
Article number: **4060414060**
EAN-Code: 8711778212800

Installation method

- For installation on concealed flushing cisterns

Properties

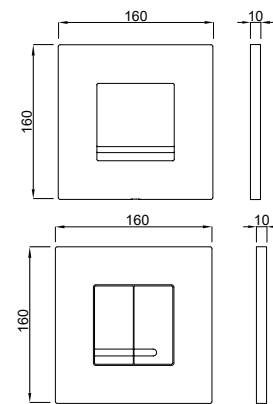
- Material: zinc die-casting
- Start-Stop flushing (ARTE METALL)
- Dual flushing (ARTE DUO METALL)
- Color: white, matt chrome, bright chrome, matt/bright chrome, bright/matt chrome
- For 380 UP concealed cistern
- For DUPLO UR element article number 8050452777 (ARTE METALL)

Special features

- Easy installation and service
- Lockable with countersunk bolt

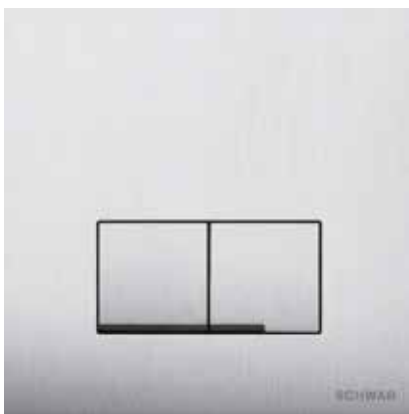
Product contains

- Complete fixing material

Technical drawing

Packing: 20 Pcs./Carton
* Available on request

ARTE DUO STEEL DESIGN



ARTE DUO STEEL DESIGN



Stainless steel
Article number: **4060420101**
EAN-Code: 8711778213333

Installation method

- For installation on concealed flushing cisterns

Properties

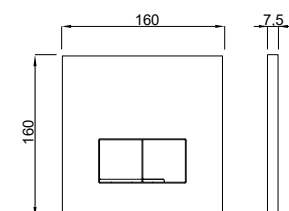
- Material: stainless steel
- Dual flushing
- For 380 UP concealed cistern
- For 399 UP concealed cistern

Special features

- Easy installation and service
- Floating impression through shadow gap
- Design version

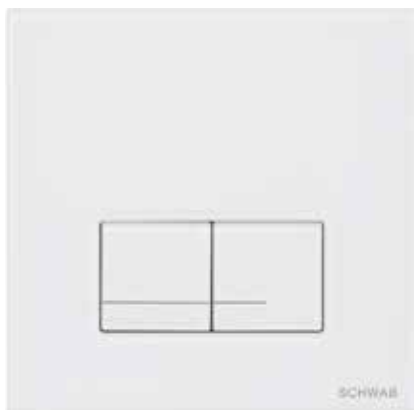
Product contains

- Complete fixing material

Technical drawing

Packing: 20 Pcs./Carton

ARTE DUO GLASS



ARTE DUO GLASS



White
Article number: **406042021**
EAN-Code: 8711778213364



Black
Article number: **4060420238**
EAN-Code: 8711778213371

Installation method

- For installation on concealed flushing cisterns

Properties

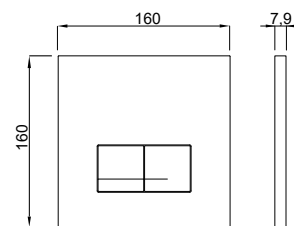
- Material: glass
- Dual flushing
- Color: white, black
- For 380 UP concealed cistern
- For 399 UP concealed cistern

Special features

- Easy installation and service
- Floating impression through shadow gap

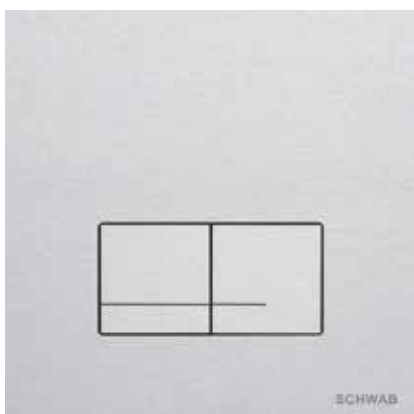
Product contains

- Complete fixing material

Technical drawing

Packing: 12 Pcs./Carton

ARTE DUO ALU



ARTE DUO ALU



Aluminium
Article number: **4060420111**
EAN-Code: 8711778213340



Black
Article number: **4060420138**
EAN-Code: 8711778213357

Installation method

- For installation on concealed flushing cisterns

Properties

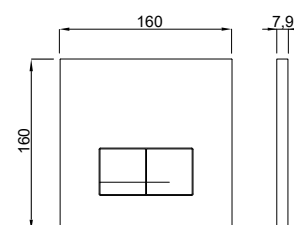
- Material: aluminium
- Dual flushing
- Color: aluminium, black
- For 380 UP concealed cistern
- For 399 UP concealed cistern

Special features

- Easy installation and service
- Floating impression through shadow gap

Product contains

- Complete fixing material

Technical drawing

Packing: 20 Pcs./Carton

ITEA DUO



ITEA DUO



White
Article number: **4060419601**
EAN-Code: 8711778213265



Matt chrome
Article number: **4060419631**
EAN-Code: 8711778213272



Bright chrome
Article number: **4060419651**
EAN-Code: 8711778213289

Installation method

- For installation on concealed flushing cisterns

Properties

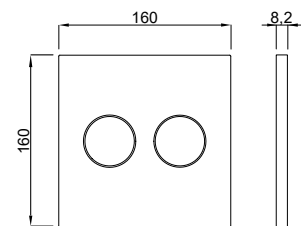
- Material: high quality plastic
- Dual flushing
- Color: white, matt chrome, bright chrome
- For 380 UP concealed cistern

Special features

- Easy installation and service

Product contains

- Complete fixing material
- Incl. pneumatic lifting unit

Technical drawing

Packing: 12 Pcs./Carton

ITEA DUO GLASS



ITEA DUO GLASS



White
Article number: **4060419801**
EAN-Code: 8711778213319



Black
Article number: **4060419838**
EAN-Code: 8711778213326

Installation method

- For installation on concealed flushing cisterns

Properties

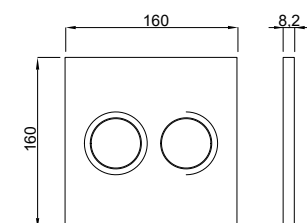
- Material: glass
- Dual flushing
- Color: white, black
- For 380 UP concealed cistern

Special features

- Easy installation and service
- Floating impression through shadow gap

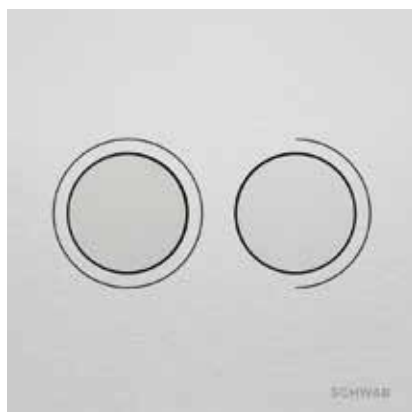
Product contains

- Complete fixing material
- Incl. pneumatic lifting unit

Technical drawing

Packing: 12 Pcs./Carton

ITEA DUO ALU



ITEA DUO ALU



Aluminium
Article number: **4060419745**
EAN-Code: 8711778213302



Black
Article number: **4060419738**
EAN-Code: 8711778213296

Installation method

- For installation on concealed flushing cisterns

Properties

- Material: aluminium
- Dual flushing
- Color: aluminium, black
- For 380 UP concealed cistern

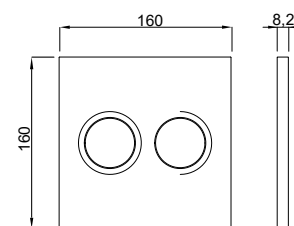
Special features

- Easy installation and service

Product contains

- Complete fixing material
- Incl. pneumatic lifting unit

Technical drawing



Packing: 12 Pcs./Carton

ITEA STEEL



ITEA STEEL



Stainless steel
Article number: **4060404001**
EAN-Code: 8711778212718

Installation method

- For installation on concealed flushing cisterns

Properties

- Material: stainless steel
- For 380 UP concealed cistern

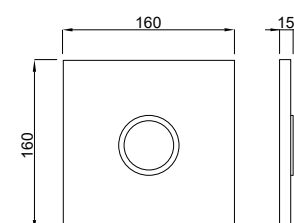
Special features

- Easy installation and service
- Suitable for (semi) public areas
- Lockable with countersunk bolt

Product contains

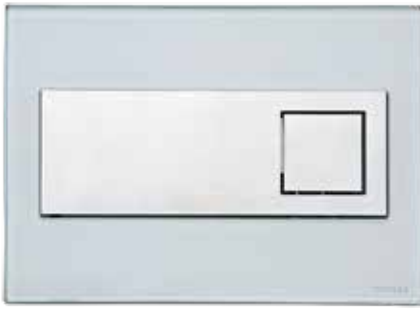
- Complete fixing material
- Incl. pneumatic lifting unit

Technical drawing



Packing: 12 Pcs./Carton

CARO



CARO



Glass white - Gold
Article number: **675042**
EAN-Code: 3838912064387



Glass black - Gold
Article number: **675043**
EAN-Code: 3838912064394

Packing: 4 Pcs./Carton



Glass - Mint green
Article number: **9228**
EAN-Code: 3838912027405



Glass - White
Article number: **8940**
EAN-Code: 3838912027412



Glass - Black
Article number: **4810**
EAN-Code: 3838912027429



Wood look/Wenge
Article number: **12400**
EAN-Code: 3838912027023



Wood look /Zebrano
Article number: **256718**
EAN-Code: 3838912027108



Transparent plastic - White
Article number: **256717**
EAN-Code: 3838912024329



Transparent plastic - Black
Article number: **384645**
EAN-Code: 3838912025517



Matt - Black
Article number: **681017**
EAN-Code: 3838912063205

Installation method

- For installation on concealed flushing cisterns

Properties

- Material: glass, wood, transparent plastic
- Dual flushing
- For 189 UP concealed cistern
- For 198 UP concealed cistern

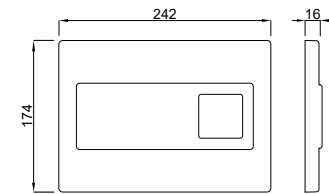
Special features

- Easy installation and service

Product contains

- Complete fixing material

Technical drawing



CIRCLE



CIRCLE



Glass white - Gold
Article number: **675040**
EAN-Code: 3838912064363



Glass Black - Gold
Article number: **675041**
EAN-Code: 3838912064370

Packing: 4 Pcs./Carton



Glass - Mint green
Article number: **15323**
EAN-Code: 3838912027504



Glass - White
Article number: **256720**
EAN-Code: 3838912027511



Glass - Black
Article number: **256719**
EAN-Code: 3838912027528



Wood look/Wenge
Article number: **256721**
EAN-Code: 3838912027603



Wood look/Zebrano
Article number: **12316**
EAN-Code: 3838912027610



Transparent plastic - White
Article number: **15322**
EAN-Code: 3838912024404



Transparent plastic - Black
Article number: **385302**
EAN-Code: 3838912025524



Matt - Black
Article number: **681030**
EAN-Code: 3838912063625

Installation method

- For installation on concealed flushing cisterns

Properties

- Material: glass, wood, transparent plastic
- Dual flushing
- For 189 UP concealed cistern
- For 198 UP concealed cistern

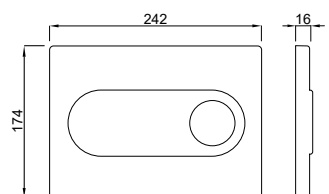
Special features

- Easy installation and service

Product contains

- Complete fixing material

Technical drawing



GENERA



GENERA



White with silver metal function buttons
 Article number: **634496**
 EAN-Code: 3838912038913

Installation method

- For installation on concealed flushing cisterns

Properties

- Material: high quality plastic
- Dual flushing
- Color: white with silver metal function buttons
- For 189 UP concealed cistern
- For 198 UP concealed cistern

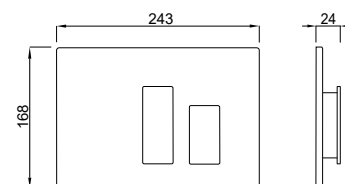
Special features

- Easy installation and service

Product contains

- Complete fixing material

Technical drawing



Packing: 4 Pcs./Carton

FUTURA



FUTURA



White with silver metal function buttons
 Article number: **634850**
 EAN-Code: 3838912039613

Installation method

- For installation on concealed flushing cisterns

Properties

- Material: high quality plastic
- Dual flushing
- Color: white with silver metal function buttons
- For 189 UP concealed cistern
- For 198 UP concealed cistern

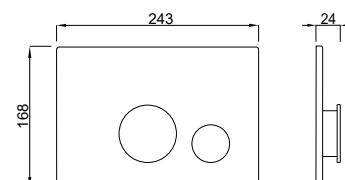
Special features

- Easy installation and service

Product contains

- Complete fixing material

Technical drawing



Packing: 4 Pcs./Carton

VIVO



VIVO



White
Article number: **634672**
EAN-Code: 3838912039217



Matt chrome
Article number: **634675**
EAN-Code: 3838912039309



Bright chrome
Article number: **634678**
EAN-Code: 3838912039316

Installation method

- For installation on concealed flushing cisterns

Properties

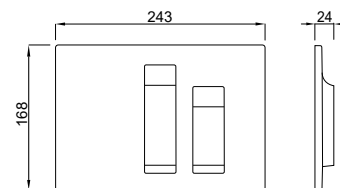
- Material: high quality plastic
- Dual flushing
- Color: white, matt chrome, bright chrome
- For 189 UP concealed cistern
- For 198 UP concealed cistern

Special features

- Easy installation and service

Product contains

- Complete fixing material

Technical drawing

Packing: 4 Pcs./Carton

DURA



DURA



White
Article number: **634684**
EAN-Code: 3838912039408



Matt chrome
Article number: **634691**
EAN-Code: 3838912039422



Bright chrome
Article number: **634694**
EAN-Code: 3838912039514

Installation method

- For installation on concealed flushing cisterns

Properties

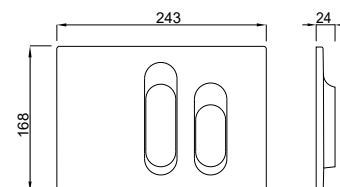
- Material: high quality plastic
- Dual flushing
- Color: white, matt chrome, bright chrome
- For 189 UP concealed cistern
- For 198 UP concealed cistern

Special features

- Easy installation and service

Product contains

- Complete fixing material

Technical drawing

Packing: 4 Pcs./Carton

OVATE DUO



OVATE DUO



White
Article number: **257420**
EAN-Code: 3838912027726



Matt chrome
Article number: **257421**
EAN-Code: 3838912027801



Bright chrome
Article number: **257422**
EAN-Code: 3838912027818



Matt Black
Article number: **681008**
EAN-Code: 3838912063182



Gold
Article number: **675132**
EAN-Code: 3838912064554

Installation method

- For installation on concealed flushing cisterns

Properties

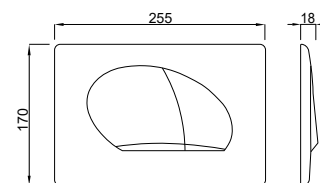
- Material: high quality plastic
- Dual flushing
- Color: white, matt chrome, bright chrome, gold, black
- For 189 UP concealed cistern
- For 198 UP concealed cistern

Special features

- Easy installation and service

Product contains

- Complete fixing material

Technical drawing

Packing: 4 Pcs./Carton

DOTS DUO



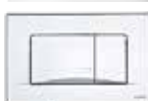
DOTS DUO



White
Article number: **257426**
EAN-Code: 3838912027115



Matt chrome
Article number: **257427**
EAN-Code: 3838912027122



Bright chrome
Article number: **257429**
EAN-Code: 3838912027207



Matt black
Article number: **681013**
EAN-Code: 3838912063199



Gold
Article number: **675130**
EAN-Code: 3838912064547

Installation method

- For installation on concealed flushing cisterns

Properties

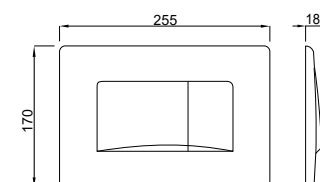
- Material: high quality plastic
- Dual flushing
- Color: white, matt chrome, bright chrome, gold, black
- For 189 UP concealed cistern
- For 198 UP concealed cistern

Special features

- Easy installation and service

Product contains

- Complete fixing material

Technical drawing

Packing: 4 Pcs./Carton

MAGNUS STEEL



MAGNUS STEEL



Stainless steel
Article number: **P54-0018-0250**
EAN Code: 8681282682225

Installation method

- For installation on concealed flushing cisterns

Properties

- Material: stainless steel
- Dual flushing
- For 199 UP concealed cistern

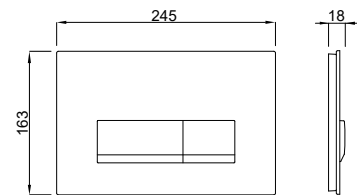
Special features

- Easy installation and service

Product contains

- Complete fixing material

Technical drawing

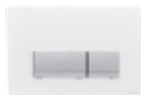


Packing: 10 Pcs./Carton

MAGNUS GLASS



MAGNUS GLASS



Glass - White
Article number: **P54-0003-0250**
EAN Code: 8681282682447



Glass - Black
Article number: **P54-0001-0250**
EAN Code: 8681282682331

Installation method

- For installation on concealed flushing cisterns

Properties

- Material: glass
- Dual flushing
- Color: white, black
- For 199 UP concealed cistern

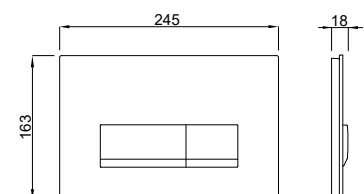
Special features

- Easy installation and service

Product contains

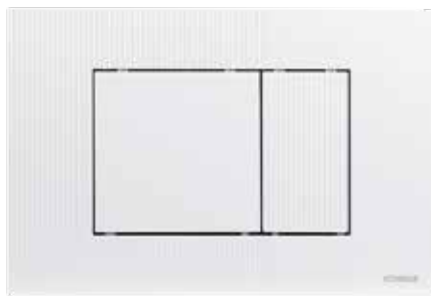
- Complete fixing material

Technical drawing



Packing: 10 Pcs./Carton

METIS



METIS



White
Article number: **P41-0130-0250**
EAN-Code: 8681282608706



Matt chrome
Article number: **P41-0110-0250**
EAN-Code: 8681282608577



Bright chrome
Article number: **P41-0120-0250**
EAN-Code: 8681282608652



Black
Article number: **P41-0190-0253**
EAN-Code: 8681282676774

Installation method

- For installation on concealed flushing cisterns

Properties

- Material: high quality plastic
- Dual flushing
- Color: white, matt chrome, bright chrome, black
- For 199 UP concealed cistern

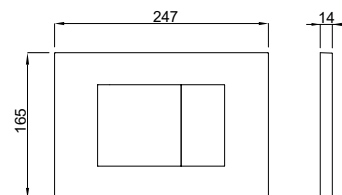
Special features

- Easy installation and service

Product contains

- Complete fixing material

Technical drawing



Packing: 10 Pcs./Carton

VENTUS



VENTUS



White
Article number: **P62-0130-0250**
EAN-Code: 8681282682775



Matt chrome
Article number: **P62-0110-0250**
EAN-Code: 8681282682669



Bright chrome
Article number: **P62-0120-0250**
EAN-Code: 8681282682553

Installation method

- For installation on concealed flushing cisterns

Properties

- Material: high quality plastic
- Dual flushing
- Color: white, matt chrome, bright chrome
- For 199 UP concealed cistern

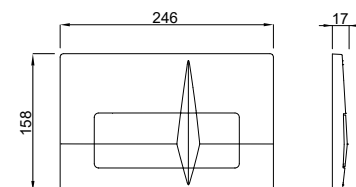
Special features

- Easy installation and service

Product contains

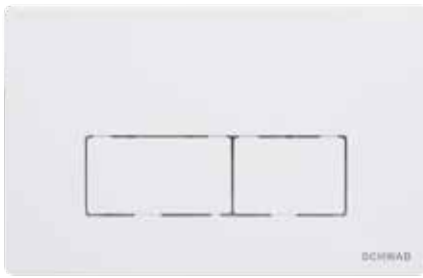
- Complete fixing material

Technical drawing



Packing: 10 Pcs./Carton

PLUTO



PLUTO



White
Article number: **P58-0130-0250**
EAN-Code: 8681282612611



Matt chrome
Article number: **P58-0110-0250**
EAN-Code: 8681282612390



Bright chrome
Article number: **P58-0120-0250**
EAN-Code: 8681282612888



Black
Article number: **P58-0190-0250**
EAN-Code: 8681282612741



Gold
Article number: **P58-0140-0250**
EAN-Code: 8681282656233

Installation method

- For installation on concealed flushing cisterns

Properties

- Material: high quality plastic
- Dual flushing
- Color: white, matt chrome, bright chrome, black, gold
- For 199 UP concealed cistern

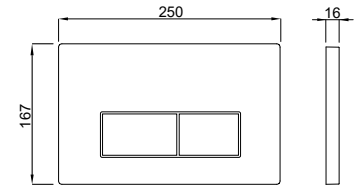
Special features

- Easy installation and service

Product contains

- Complete fixing material

Technical drawing



Packing: 10 Pcs./Carton

VELA



VELA



White
Article number: **P47-0130-0253**
EAN-Code: 8681282677009



Matt chrome
Article number: **P47-0110-0253**
EAN-Code: 8681282676996



Bright chrome
Article number: **P47-0120-0253**
EAN-Code: 8681282676880



Black
Article number: **P47-0190-0253**
EAN-Code: 8681282677115



White + Gold Ring
Article number: **P47-0205-0250**
EAN-Code: 8681282653317



White + Glossy Chrome Ring
Article number: **P47-0201-0250**
EAN-Code: 8681282653294



Matt white
Article number: **P47-0131-0400**
EAN-Code: 8681282657919



Gold
Article number: **P47-0140-0250**
EAN-Code: 8681282656219



Black + Gold Ring
Article number: **P47-0235-0250**
EAN-Code: 8681282653324



Black + Glossy Chrome Ring
Article number: **P47-0202-0250**
EAN-Code: 8681282653300

Installation method

- For installation on concealed flushing cisterns

Properties

- Material: high quality plastic
- Dual flushing
- Color: white, matt chrome, bright chrome, black, gold
- For 199 UP concealed cistern

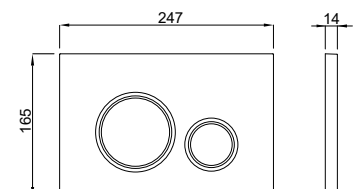
Special features

- Easy installation and service

Product contains

- Complete fixing material

Technical drawing



Packing: 10 Pcs./Carton

CERES



CERES



CERES White
Article number: **P67-0130-0250**
EAN-Code: 8681282654482



CERES White matt
Article number: **P67-0131-0400**
EAN-Code: 8681282657926



CERES Bright chrome
Article number: **P67-0120-0250**
EAN-Code: 8681282654444



CERES Matt chrome
Article number: **P67-0110-0250**
EAN-Code: 8681282654604



CERES Black matt
Article number: **P67-0190-0250**
EAN-Code: 8681282654437

Installation method

- For installation on concealed flushing cisterns

Properties

- Material: high quality plastic
- Dual flushing
- Color: white, matt chrome, bright chrome, black
- For 199 UP concealed cistern

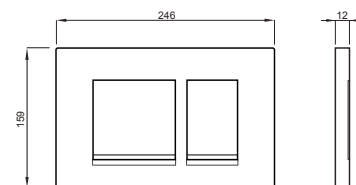
Special features

- Easy installation and service

Product contains

- Complete fixing material

Technical drawing



Packing: 10 Pcs./Carton

KATION DUO WHITE



KATION DUO WHITE



White
Article number: **4060419911**
EAN-Code: 8711778213524

Installation method

- For installation on concealed flushing cisterns

Properties

- Material: high quality plastic
- Dual flushing
- Color: white
- For 387 UP concealed cistern

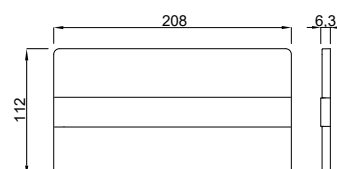
Special features

- Easy installation and service
- For front flushing activation

Product contains

- Complete fixing material

Technical drawing



Packing: 12 Pcs./Carton

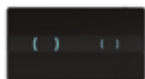
KATION DUO GLASS



KATION DUO GLASS



White
Article number: **4060419921**
EAN-Code: 8711778213500



Black
Article number: **4060419938**
EAN-Code: 8711778213517

Installation method

- For installation on concealed flushing cisterns

Properties

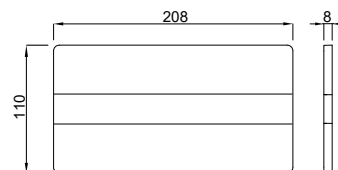
- Material: glass
- Dual flushing
- Color: white, black
- For 387 UP concealed cistern

Special features

- Easy installation and service
- For front flushing activation
- Floating impression through shadow gap

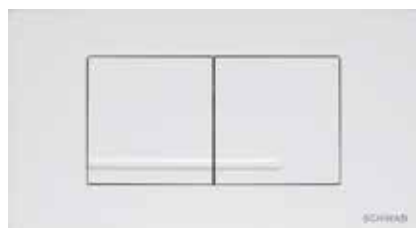
Product contains

- Complete fixing material

Technical drawing

Packing: 12 Pcs./Carton

GAIOS DUO



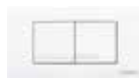
GAIOS DUO



White
Article number: **4060418701**
EAN-Code: 8711778213197



Matt chrome
Article number: **4060418731**
EAN-Code: 8711778213203



Bright chrome
Article number: **4060418751**
EAN-Code: 8711778213210

Installation method

- For installation on concealed flushing cisterns

Properties

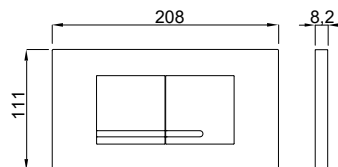
- Material: high quality plastic
- Dual flushing
- Color: white, matt chrome, bright chrome
- For 387 UP concealed cistern

Special features

- Easy installation and service
- For top or front flushing activation

Product contains

- Complete fixing material

Technical drawing

Packing: 20 Pcs./Carton

GAIOS DUO GLASS



GAIOS DUO GLASS



White
Article number: **4060421201**
EAN-Code: 8711778213401



Black
Article number: **4060421238**
EAN-Code: 8711778213418

Installation method

- For installation on concealed flushing cisterns

Properties

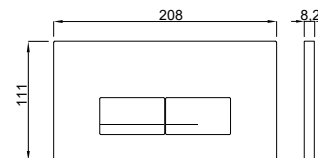
- Material: glass
- Dual flushing
- Color: white, black
- For 387 UP concealed cistern

Special features

- Easy installation and service
- For top or front flushing activation
- Floating impression through shadow gap

Product contains

- Complete fixing material

Technical drawing

Packing: 20 Pcs./Carton

GAIOS DUO STEEL



GAIOS DUO STEEL



Stainless steel
Article number: **4060419001**
EAN-Code: 8711778213227

Installation method

- For installation on concealed flushing cisterns

Properties

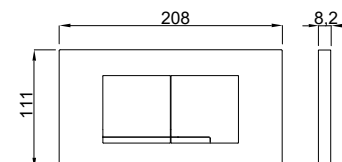
- Material: stainless steel
- Dual flushing
- For 387 UP concealed cistern

Special features

- Easy installation and service
- For top or front flushing activation

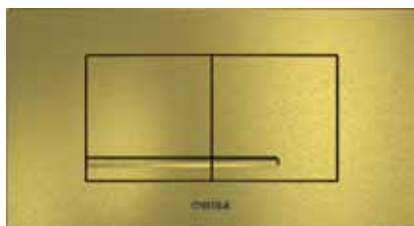
Product contains

- Complete fixing material

Technical drawing

Packing: 20 Pcs./Carton

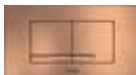
KANTOS



KANTOS



Brushed bronze
Article number: **8050418733**
EAN-Code: 8711778228191



Brushed copper
Article number: **8050418735**
EAN-Code: 8711778228177



Brushed black titanium
Article number: **8050418738**
EAN-Code: 8711778228184



Matt black
Article number: **8050418755**
EAN-Code: 8711778228160

Installation method

- For installation on concealed flushing cisterns

Properties

- Material: high quality plastic
- Dual flushing
- Color: brushed bronze, brushed copper, brushed black titanium, matt black
- For 387 UP concealed cistern

Special features

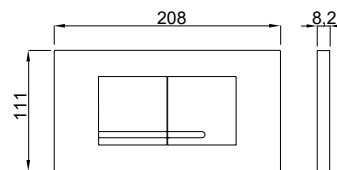
- Easy installation and service
- For top or front flushing activation

Product contains

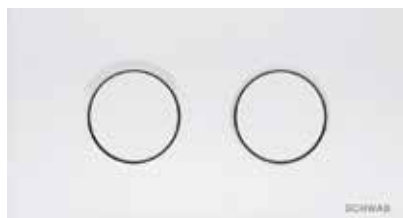
- Complete fixing material

WISA®

Packing: 20 Pcs./Carton

Technical drawing

THIRA DUO



THIRA DUO



White
Article number: **4060419301**
EAN-Code: 8711778213234



Matt chrome
Article number: **4060419331**
EAN-Code: 8711778213241



Bright chrome
Article number: **4060419351**
EAN-Code: 8711778213258

Installation method

- For installation on concealed flushing cisterns

Properties

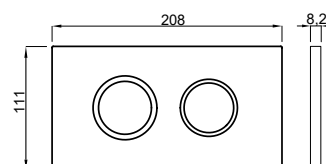
- Material: high quality plastic
- Dual flushing
- Color: white, matt chrome, bright chrome
- For 387 UP concealed cistern

Special features

- Easy installation and service
- For top or front flushing activation

Product contains

- Complete fixing material
- Incl. pneumatic lifting unit

Technical drawing

Packing: 12 Pcs./Carton

NEA / KATION UP Power supply



Installation method

- For NEA / KATION flushing plates

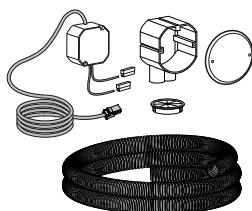
Properties

- Input AC 100-240V ~ / 50-60 Hz
- Output DC 5V / 1A
- Cable length approx. 2.0 m

Product contains

- Mounting box with cover
- Empty pipe
- Cover plate

Technical drawing



Article number: **8050999211**
 EAN-Code: 8711778199057
 Packing: 12 Pcs./Carton

NEA / KATION plug-in power supply



Installation method

- Plug-in power supply for: NEA / KATION flushing plates

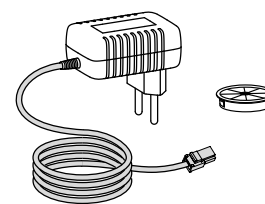
Properties

- Input AC 100-240V ~ / 50-60 Hz
- Output DC 5V / 1A
- Cable length approx. 1,8 m

Product contains

- Cover plate

Technical drawing



Article number: **8050999301**
 EAN-Code: 8711778199064
 Packing: 1 Pcs./Carton

NEA / KATION Battery unit



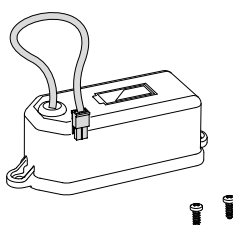
Installation method

- For NEA / KATION flushing plates

Product contains

- 6V - 4 x 1.5V AA / LR6 batteries
- Incl. 4 batteries

Technical drawing



Article number: **8050883140**
 EAN code: 8711778197718
 Packing: 72 Pcs./Carton

Tele Blue



Installation method

- Pneumatic remote release suitable for 380 WC elements
- Only to be used in combination with ITEA STEEL flushing plate

Properties

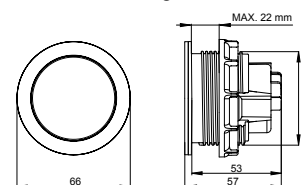
- Material: stainless steel

Product contains

- Air hose: approx. 2 meters

*Delivery time on request

Technical drawing



Article number: **4060404232**
 EAN-Code: 8711778212732
 Packing: 16 Pcs./Carton

Kit 2x Tele Steel



Installation method

- Additional operation at the concealed flushing cistern possible in combination with the flushing plate ITEA STEEL

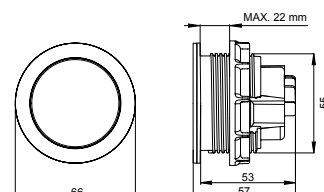
Properties

- Material: stainless steel
- Including outlet and pneumatic lifting unit
- Suitable for supporting handles with holding plate for pneumatic operations with a hole diameter of 56 mm
- Operation left and right (6 L)

Product contains

- Including outlet and pneumatic lifting unit
- Air hose: approx. 2 meters

Technical drawing



Article number: **4060404111**
 EAN-Code: 8711778212725
 Packing: 1 Pcs./Carton

Tele Schw. + lifting unit



+



Installation method

- To be used in combination with 380 / XS and 387 / XT WC elements

Properties

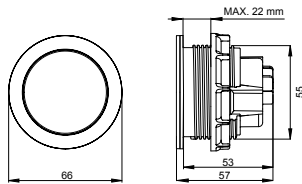
- Material: stainless steel

Product contains

- Incl. pneumatic lifting unit
- Air hose: approx. 2 meters

*Delivery time on request

Technical drawing



Article number: **4060404238**
 EAN-Code: 8711778212749
 Packing: 16 Pcs./Carton

ITEA STEEL cover plate



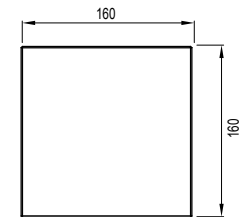
Installation method

- To be used in combination with 380 / XS WC elements

Properties

- Material: stainless steel
- Suitable for (semi) public areas
- Suitable as inspection opening

Technical drawing



Article number: **4060421119**
 EAN-Code: 8711778213388
 Packing: 12 Pcs./Carton

UR STEEL SV



UR STEEL SV



Article number: **4060421121**
 EAN-Code: 8711778213395

Installation method

- For installation on DUPLO urinal elements with flushing operation

Properties

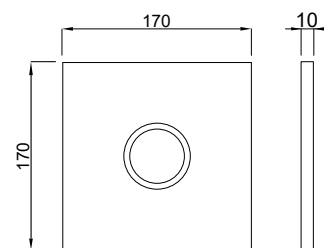
- Material: stainless steel
- For DUPLO UR element (Article number 8050452758)

Special features

- Easy installation and service
- Suitable for (semi) public areas
- Lockable with countersunk bolt

Product contains

- Complete installation and fixing material
- Concealed screw connection

Technical drawing

Packing: 20 Pcs./Carton

Infrared control for Urinal 230 V

**Installation method**

- For installation on DUPLO urinal elements with electronic flushing operation

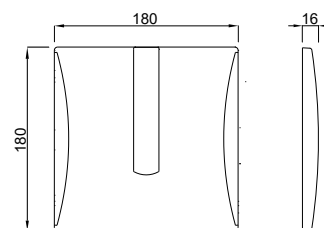
Properties

- Material: stainless steel front plate
- Front plate secured against vandalism
- Power supply: 230 V/50 Hz
- Rated voltage: 230 V AC
- Operating voltage: 24 V DC
- For DUPLO UR element, article number 4060452775

Product contains

- Complete fixing materials and accessories

Option: Installation directly into solid wall

Technical drawing

Article number: **382880**
 EAN-Code: 3838912026804
 Packing: 1 Pcs./Carton

Rough installation kit 230 V



Installation method

- For installation on DUPLO urinal elements with electronic flushing operation

Properties

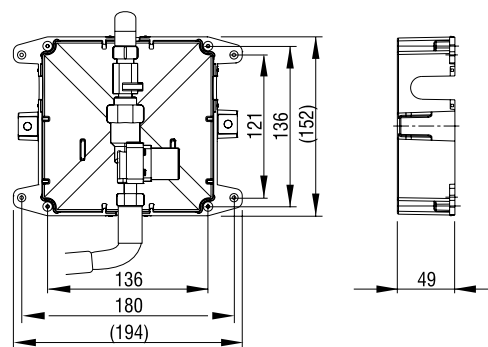
- For IR-urinal-control, 230 V, article number 382880
- Power supply: 230 V/50 Hz
- Rated voltage: 230 V AC
- Operating voltage: 24 V DC
- For DUPLO UR element, article number 8050452751

Product contains

- Complete fixing materials and accessories

Option: Installation directly into solid wall

Technical drawing



Article number: **382878**
 EAN-Code: 3838912026705
 Packing: 1 Pcs./Carton

ELECTROMAGNETIC VALVE, 24 V, Replacement electromagnetic valve



Installation method

- For a drywall element for a urinal (4060452775)
- For infrared control for urinal activation button (382880)
- For the rough installation kit (382878)

Properties

- Power supply: 230 V/50 Hz
- Nominal voltage: 230 V AC
- Operating voltage: 24 V DC

Article number: **675170**
 EAN-Code: 3838912064714
 Packing: 1 Pcs./Carton

IR-urinal-control, battery power supply, 9 V



Installation method

- For installation on DUPLO urinal elements with electronic flushing operation

Properties

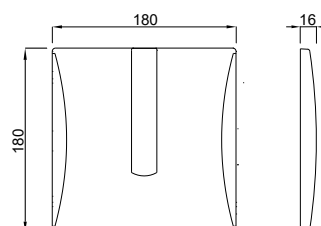
- Material: stainless steel front plate
- Front plate secured against vandalism
- Battery power supply: 9 V
- Operating voltage: 9 V DC
- For DUPLO UR element, article number 4060452779

Product contains

- Complete fixing materials and accessories
- Battery

Option: Installation directly into solid wall

Technical drawing



Article number: **382881**
 EAN-Code: 3838912021816
 Packing: 1 Pcs./Carton

Rough installation kit, battery power supply, 9 V



Installation method

- For installation on DUPLO urinal elements with electronic flushing operation

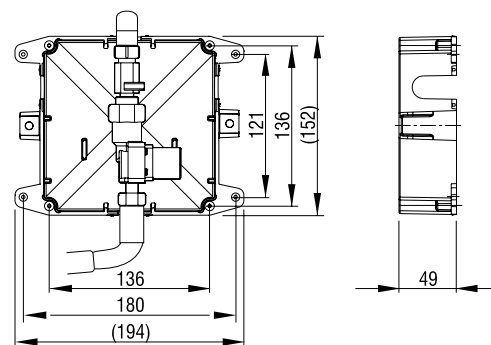
Properties

- For IR-urinal-control, 9 V, article number 382881
- Battery power supply: 9 V
- Operating voltage: 9 V DC
- For DUPLO UR element, article number 8050452751

Product contains

- Complete fixing materials and accessories
- Option: Installation directly into solid wall

Technical drawing



Article number: **382879**
 EAN-Code: 3838912026729
 Packing: 1 Pcs./Carton

ELECTROMAGNETIC VALVE, 6 V, Replacement electromagnetic valve



Installation method

- For a drywall element for a urinal (4060452779)
- For infrared control for urinal activation button (382881)
- For the rough installation kit (382879)

Properties

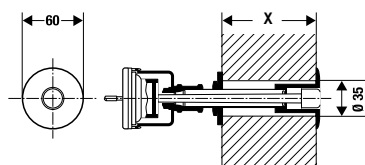
- Battery power supply 9 V
- Operating voltage: 6 V DC

Article number: **675171**
 EAN-Code: 3838912064721
 Packing: 1 Pcs./Carton

Push button



Technical drawing



Wall thickness 60-90 mm
 Article number: **392030**
 EAN-Code: 3838912026019

Wall thickness 90-120 mm
 Article number: **364320**
 EAN-Code: 3838912032218

Wall thickness 120-153 mm
 Article number: **364287** *
 EAN-Code: 3838912034205

Wall thickness 153-186 mm
 Article number: **392031** *
 EAN-Code: 3838912026026

Installation method

- For mounting on flushing cisterns with pneumatical remote control

Properties

- Chromed
- Single flushing
- For AP 164 PNEUMATIC exposed flushing cistern

Special features

- For different wall thickness

Product contains

- Complete fixing materials and accessories

Packing: 1 Pcs./Carton

* Available on request

Push button hand switch - concealed installation



White
Article number: **362241**
EAN-Code: 3838912032225

Bright chrome
Article number: **363756**
EAN-Code: 4016817023862

Installation method

- For mounting on flushing cisterns with pneumatical remote control

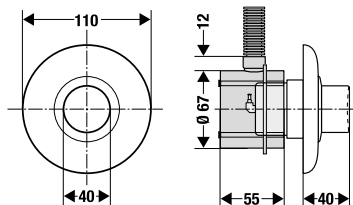
Properties

- Concealed installation
- Single flushing
- For AP 164 PNEUMATIC and WC 198 PNEU exposed flushing cistern

Product contains

- Complete fixing materials and accessories

Technical drawing



Packing: 1 Pcs./Carton

Push button hand switch - installation in furniture



White
Article number: **363759**
EAN-Code: 4016817023855

Bright chrome
Article number: **362240**
EAN-Code: 3838912032317

Installation method

- For mounting on flushing cisterns with pneumatical remote control

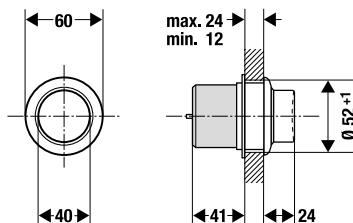
Properties

- Concealed installation
- For mounting in furniture elements
- Single flushing
- For AP 164 PNEUMATIC, WC 198 PNEU and AP134 CH exposed flushing cistern

Product contains

- Complete fixing materials and accessories

Technical drawing



Packing: 1 Pcs./Carton

Cover plate



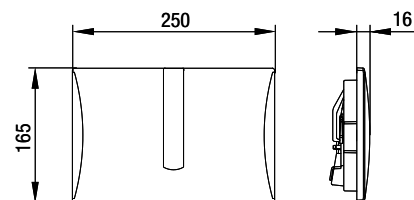
Installation method

- Installation on the cocelaed flushing cistern 198 PNEU (article number 663266, 663265)

Properties

- Material: stainless steel
- Suitable for (semi) public areas

Technical drawing



Article number: **636044**
EAN-Code: 3838912039927
Packing: 4 Pcs./Carton

EXPOSED FLUSHING CISTERNS

85



The wide range of exposed flushing cisterns offers ideal solutions for new buildings as well as for renovations. The attractive design fulfills the highest aesthetic requirements.

-
- 87 LOW HANGING CISTERNS
 - 90 CORNER CISTERN
 - 91 MONOBLOCK CISTERN
 - 91 HIGH HANGING CISTERN
 - 92 ACCESSORIES

EXPOSED CISTERNS

| Exposed cistern model | low hanging cistern | high hanging cistern | monoblock cistern | corner cistern | for mounting in furniture | flush volume | dual flush | flush interruption | Pneumatic | water connection G 3/8 (*) |
|-----------------------|---------------------|----------------------|-------------------|----------------|---------------------------|--------------|------------|--------------------|-----------|----------------------------|
| AP100 | ■ | ■ | | | | 6(6-9) L | | ■ | | L/R/C |
| AP102 | ■ | | | | | 3/6 L | ■ | | | L/R/C |
| AP120 | ■ | ■ | | | | 6(6-9) L | | ■ | | L/R/C |
| AP122 | ■ | | | | | 3/6 L | ■ | | | L/R/C |
| AP160 | ■ | | | | | 6(6-9) L | | ■ | | L/R/C |
| Ap170 | ■ | | | | | 6(4,5-6) L | | ■ | | L/R/C |
| AP220 | ■ | | | | | 6(6-9) L | | ■ | | L/R |
| AP230 | ■ | | | | | 3/6 L | ■ | | | L/R/C |
| AP260 | ■ | | | | | 6(6-7,5) L | | ■ | | L/R/C |
| AP270 | ■ | | | | | 6(6-9) L | | ■ | | L/R/C |
| AP410 | ■ | ■ | | | | 6(4-7) L | | ■ | | L/R/C |
| AP412 | ■ | | | | | 3/6 L | ■ | | | L/R/C |
| AP240 | ■ | | | ■ | | 6(6-9) L | | ■ | | L/R |
| AP164 PNEUMATIC | ■ | | | | | 6(6-9) L | | | ■ | L/R |
| AP122 MONOBLOCK | | | ■ | | | 3/6 L | ■ | | | L/R/C |
| AP210 | | ■ | | | | 6(6-9) L | | ■ | | L/R |

* L=left, R=right, C=concealed connection back (extra kit needed) and 1/2" on request.

AP100

**Installation method**

- For wall mounting, low-hanging

Properties

- Start-Stop flushing
- Flushing volume 6(6-9) L
- Water connection possible on left, right or at the rear center
- For water connection at the rear, please order the connecting hose separately (Article number 365138)
- Fully insulated against condensation
- Color: white

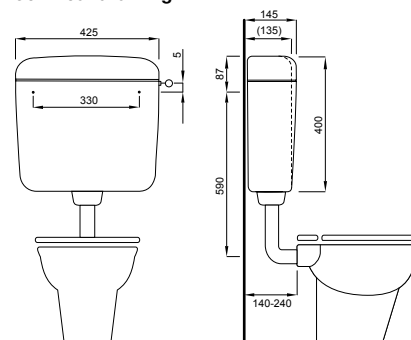
Special features

- Flushing operation on the right side
- Quiet Mechanical Fill valve
- High installation possible

Product contains

- Stop valve
- Chromed Cu water connection pipe
- Flush pipe connector
- Flush pipe 270 x 220 mm Ø 50 / 44 mm
- Installation material

Article number: **604684**
 EAN-Code: 3838912028105
 Packing: 32 Pcs./Pallet

Technical drawing

CE EN 14055 - CL 1 - 6 - NL II - VR I

AP102

**Installation method**

- For wall mounting, low-hanging

Properties

- Dual flushing
- Flushing volume 3/6 L
- Water connection possible on left, right or at the rear center
- For water connection at the rear, please order the connecting hose separately (Article number 365138)
- Fully insulated against condensation
- Color: white

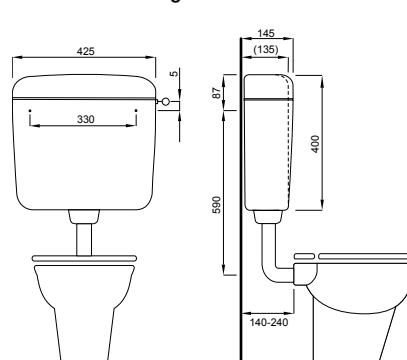
Special features

- Flushing operation on the right side
- Quiet Mechanical Fill valve

Product contains

- Stop valve
- Chromed Cu water connection pipe
- Flush pipe connector
- Flush pipe 270 x 220 mm Ø 50 / 44 mm
- Installation material

Article number: **604685**
 EAN-Code: 3838912028129
 Packing: 32 Pcs./Pallet

Technical drawing

CE EN 14055 - CL 1 - 6 - NL II - VR I

AP120

**Installation method**

- For wall mounting, low-hanging

Properties

- Start-Stop flushing
- Flushing volume 6(6-9) L
- Water connection possible on left, right or at the rear center
- For water connection at the rear, please order the connecting hose separately (Article number 365138)
- Fully insulated against condensation
- Color: white, beige, manhattan

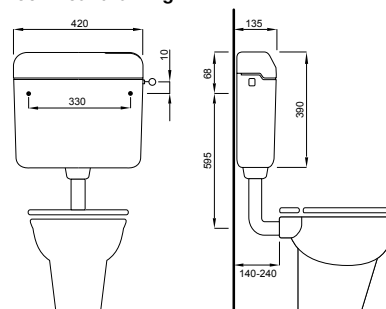
Special features

- Flushing operation on the right side
- Quiet Mechanical Fill valve
- High installation possible

Product contains

- Stop valve
- Chromed Cu water connection pipe
- Flush pipe connector
- Flush pipe 270 x 220 mm Ø 50 / 44 mm
- Installation material

Packing: 32 Pcs./Pallet

Technical drawing

| Article number | EAN-Code | Color |
|----------------|---------------|-----------|
| 604682 | 3838912028006 | white |
| 605831 | 3838912028600 | beige |
| 667110 | 3838912050403 | manhattan |

CE EN 14055 - CL 1 - 6 - NL II - VR I

AP122

**Installation method**

- For wall mounting, low-hanging

Properties

- Dual flushing
- Flushing volume 3/6 L
- Water connection possible on left, right or at the rear center
- For water connection at the rear, please order the connecting hose separately (Article number 365138)
- Fully insulated against condensation
- Color: white

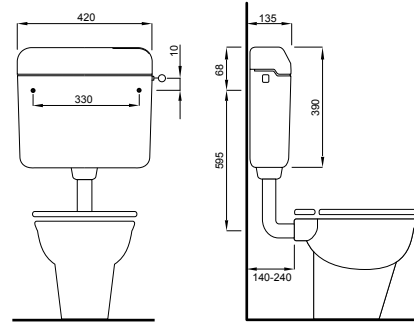
Special features

- Flushing operation on the right side
- Quiet Mechanical Fill valve

Product contains

- Stop valve
- Chromed Cu water connection pipe
- Flush pipe connector
- Flush pipe 270 x 220 mm Ø 50 / 44 mm
- Installation material

Article number: **221213**
 EAN-Code: 3838912025319
 Packing: 32 Pcs./Pallet

Technical drawing

CE EN 14055 - CL 1 - 6 - NL II - VR I

AP160

**Installation method**

- For wall mounting, low-hanging

Properties

- Start-Stop flushing
- Flushing volume 6(6-9) L
- Water connection possible on left, right or at the rear center
- Fully insulated against condensation
- Color: white

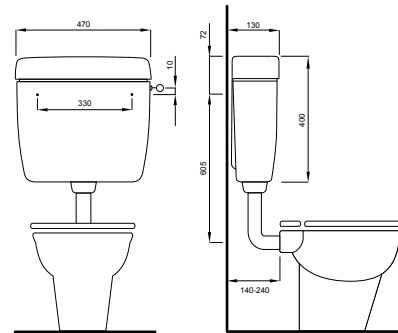
Special features

- Flushing operation on the right side
- Quiet Hydraulic Fill valve

Product contains

- Stop valve
- Chromed Cu water connection pipe
- Flush pipe connector
- Flush pipe 270 x 220 mm Ø 50 / 44 mm
- Installation material

Article number: **223791**
 EAN-Code: 3838912025227
 Packing: 30 Pcs./Pallet

Technical drawing

CE EN 14055 - CL 1 - 6 - NL II - VR I

AP170

**Installation method**

- For wall mounting, low-hanging

Properties

- Start-Stop flushing
- Flushing volume 6(4.5-6) L
- Water connection possible on left, right or at the rear center
- Fully insulated against condensation
- Color: white

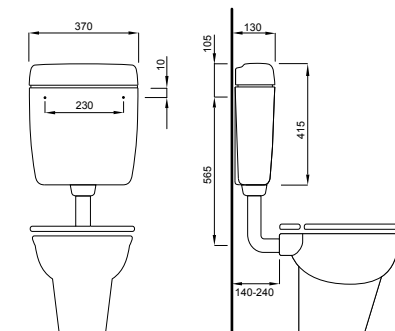
Special features

- Flushing operation on the right side
- Quiet Hydraulic Fill valve

Product contains

- Stop valve
- Chromed Cu water connection pipe
- Flush pipe connector
- Flush pipe 270 x 220 mm Ø 50 / 44 mm
- Installation material

Article number: **230334**
 EAN-Code: 3838912027900
 Packing: 30 Pcs./Pallet

Technical drawing

CE EN 14055 - CL 1 - 6 - NL II - VR I

AP220

**Installation method**

- For wall mounting, low-hanging

Properties

- Start-Stop flushing
- Flushing volume 6(6-9) L
- Water connection possible on left and right side
- Insulated against condensation
- Color: white

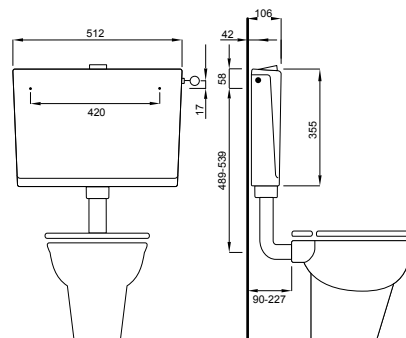
Special features

- Flushing operation in the center
- Quiet Hydraulic Fill valve

Product contains

- Stop valve
- Chromed Cu water connection pipe
- Flush pipe connector
- Flush pipe 270 x 220 mm Ø 50 / 44 mm
- Installation material

Article number: **4060422640**
 EAN Code: 8711778213135
 Packing: 56 Pcs./Pallet

Technical drawing

CE EN 14055 - CL 1 - 6 - NL I - VR II

AP230

**Installation method**

- For wall mounting, low-hanging

Properties

- Dual flushing
- Flushing volume 3/6 L
- Water connection possible on left, right or at the rear center
- Insulated against condensation
- Color: white

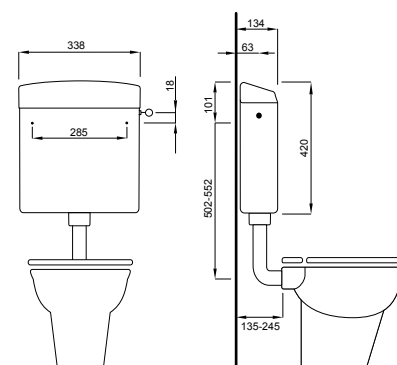
Special features

- Flushing operation on the right side
- Quiet Hydraulic Fill valve

Product contains

- Stop valve
- Chromed Cu water connection pipe
- Flush pipe connector
- Flush pipe 270 x 220 mm Ø 50 / 44 mm
- Installation material

Article number: **4060430801**
 EAN Code: 8711778213746
 Packing: 68 Pcs./Pallet

Technical drawing

CE EN 14055 - CL 1 - 6 - NL I - VR II

AP260

**Installation method**

- For wall mounting, low-hanging

Properties

- Start-Stop flushing
- Flushing volume 6(6-7,5) L
- Water connection possible on left, right or at the rear center
- Insulated against condensation
- Color: white

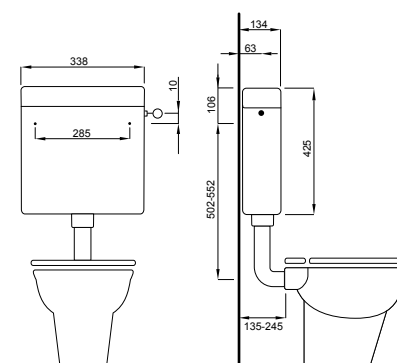
Special features

- Flushing operation on the right side
- Quiet Hydraulic Fill valve

Product contains

- Stop valve
- Chromed Cu water connection pipe
- Flush pipe connector
- Flush pipe 270 x 220 mm Ø 50 / 44 mm
- Installation material

Article number: **4060427601**
 EAN Code: 8711778213722
 Packing: 68 Pcs./Pallet

Technical drawing

CE EN 14055 - CL 1 - 6 - NL I - VR II

AP410



Installation method

- For wall mounting, low-hanging

Properties

- Start-Stop flushing
- Flushing volume 6(4/7) L
- Water connection possible on left, right or at the rear center
- For water connection at the rear, please order the connecting hose separately (Article number 365138)
- Fully insulated against condensation
- Color: white

Special features

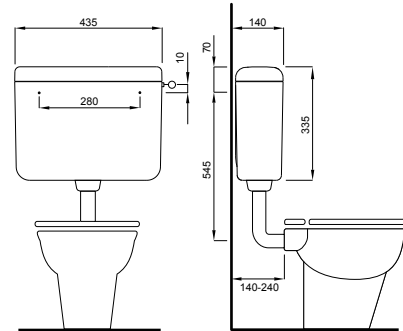
- Flushing operation on the right side
- Quiet Mechanical Fill valve
- High installation possible

Product contains

- Stop valve
- Chromed Cu water connection pipe
- Flush pipe connector
- Flush pipe 325 x 220 mm Ø 50 / 44 mm
- Installation material

Article number: **635240**
 EAN-Code: 3838912039729
 Packing: 32 Pcs./Pallet

Technical drawing



CE EN 14055 - CL 1 - 6 - NL II - VR I

AP 412



Installation method

- For wall mounting, low-hanging

Properties

- Dual flushing
- Flushing volume 3/6 L
- Water connection possible on left, right or at the rear center
- For water connection at the rear, please order the connecting hose separately (Article number 365138)
- Fully insulated against condensation
- Color: white

Special features

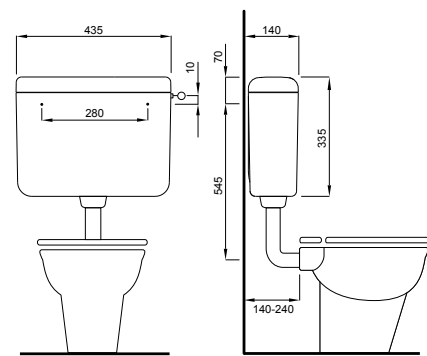
- Flushing operation on the right side
- Quiet Mechanical Fill valve
- High installation possible

Product contains

- Stop valve
- Chromed Cu water connection pipe
- Flush pipe connector
- Flush pipe 325 x 220 mm Ø 50 / 44 mm
- Installation material

Ord. no.: **635241**
 EAN-Code: 3838912039804
 Weight: 3,20 kg
 Packaging: 32 Pcs. / pallet

Technical drawing



AP240



Installation method

- For wall mounting, corner installation

Properties

- Start-Stop flushing
- Flushing volume 6(6-9) L
- Water connection possible on left and right side
- Insulated against condensation
- Color: white

Special features

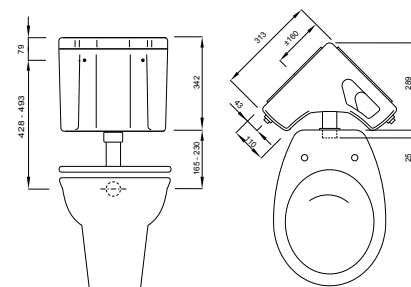
- Flushing operation on the right side
- Quiet Hydraulic Fill valve

Product contains

- Stop valve
- Chromed Cu water connection pipe
- Flush pipe connector
- Flush pipe 270 x 220 mm Ø 50 / 44 mm
- Installation material

Article number: **4060428401**
 EAN Code: 8711778213739
 Packing: 30 Pcs./Pallet

Technical drawing



CE EN 14055 - CL 1 - 6 - NL I - VR II

AP122 MONOBLOCK



Installation method

- For mounting on the WC ceramic

Properties

- Dual flushing
- Flushing volume (3/6 L)
- Water connection possible on left, right or at the rear center
- For water connection at the rear, please order the connecting hose separately (Article number 365138)
- Fully insulated against condensation
- Color: white

Special features

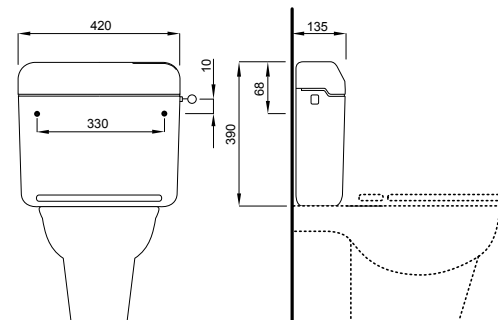
- Flushing operation on the right side
- Quiet Mechanical Fill valve

Product contains

- Stop valve
- Chromed Cu water connection pipe
- Installation material

Article number: **604683**
 EAN-Code: 3838912028020
 Packing: 32 Pcs./Pallet

Technical drawing



AP210



Installation method

- For wall mounting, high installation

Properties

- Flushing volume 6(6-9) L
- Water connection possible on left and right side
- Insulated against condensation
- Color: white

Special features

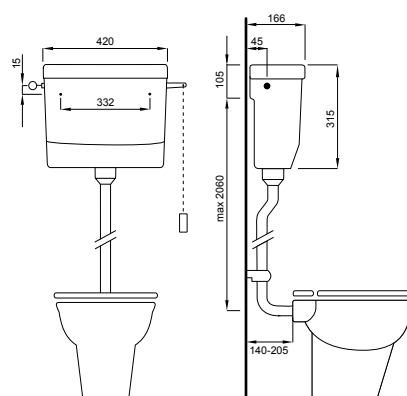
- Flushing operation on the right side
- Quiet Hydraulic Fill valve

Product contains

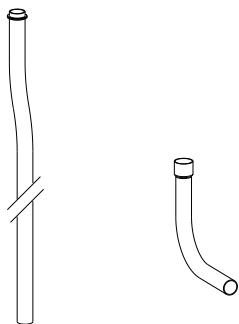
- Cover
- Mounting material
- Stainless steel flushing pipe clamp with buffer
- Connector between flushing pipe and nozzle
- Glue
- Without corner valve, pull chain, breaker bar and flushing pipe

Article number: **4060421600**
 EAN Code: 8711778213128
 Packing: 50 Pcs./Pallet

Technical drawing



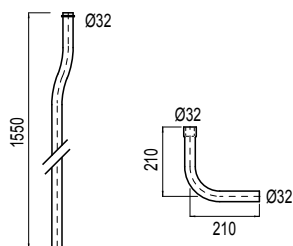
Set of flush pipe and flush pipe elbow



Properties

- Material: PVC
- Ø 32 mm
- Color: white

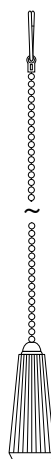
Technical drawing



WISA®

Article number: **1409111901**
EAN-Code: 8711778004078

Pull chain



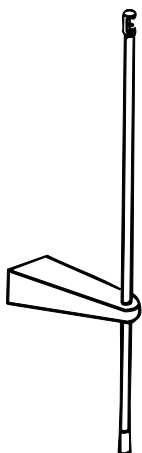
Properties

- Material: plastic
- Nickel plated with plastic handle
- 94 cm
- Color: white

WISA®

Article number: **1409986070**
EAN-Code: 8711778004085

Pull bar



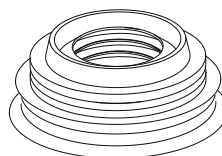
Properties

- Material: plastic
- 78 cm
- For flushing interruption
- Color: white

WISA®

Article number: **8050421550**
EAN-Code: 8711778029972

WC flush pipe connector



Properties

- Material: rubber
- Ø 55 mm
- For Ø 26-34 mm pipe
- Color: white

WISA®

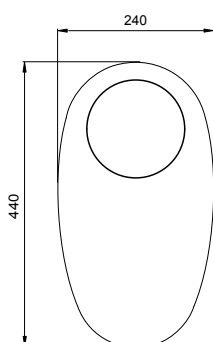
Article number: **7023120850**
EAN-Code: 8711778048522

Insulation kit toilet pan

Properties

- Color: white
- 440 x 240 mm

Technical drawing



WISA®

Article number: **1409141001**
EAN-Code: 8711778113237

With different toilet seats we have something suitable for each toilet in the house.

Made of thermoset, with stainless steel attachments and suitable for wall-mounted toilets or floor-standing toilets.

95 TOILET SEATS

101 HINGES

101 BUFFERS

TOILET SEATS

| Toilet seats | | | | | | Hinges | | | |
|--------------|---|---|---|------------|------------|----------|-----------------|----------|--------|
| Shape | Model | Color | Material | Soft close | Detachable | Material | Eccentric | Fixation | |
| Star |  |  |  | Duroplast | | ■ | Stainless steel | ■ | Topfix |
| Star S |  |  |  | Duroplast | ■ | ■ | Stainless steel | ■ | Topfix |
| Virgo S |  |  |  | Duroplast | ■ | ■ | Stainless steel | ■ | Topfix |
| Antares S |  |  |  | Duroplast | ■ | | Stainless steel | ■ | Topfix |
| Aquarius S |  |  |  | Duroplast | ■ | ■ | Stainless steel | ■ | Topfix |
| Centaur |  |  |  | Duroplast | | | Stainless steel | | |
| Leo |  |  |  | Duroplast | | | Stainless steel | ■ | |
| Libra |  |  |  | Duroplast | | | Stainless steel | ■ | |
| Libra QR |  |  |  | Duroplast | | ■ | Stainless steel | ■ | Topfix |
| Mars S |  |  |  | Duroplast | ■ | | Stainless steel | ■ | |
| | | | | | | | | | |
| Aries S |  |  |  | Duroplast | ■ | ■ | Stainless steel | ■ | Topfix |
| D-Star 300 |  |  |  | Duroplast | | ■ | Stainless steel | ■ | Topfix |
| D-Star 300 S |  |  |  | Duroplast | ■ | ■ | Stainless steel | ■ | Topfix |
| Scorpio S |  |  |  | Duroplast | ■ | ■ | Stainless steel | ■ | Topfix |
| Zodiac S |  |  |  | Duroplast | ■ | ■ | Stainless steel | ■ | Topfix |
| | | | | | | | | | |
| Taurus S |  |  |  | Duroplast | ■ | ■ | Stainless steel | ■ | Topfix |
| Capella |  |  |  | Duroplast | ■ | | Plastic | ■ | |
| | | | | | | | | | |
| Care |  |  |  | Duroplast | | | Zinc | ■ | Topfix |

STAR



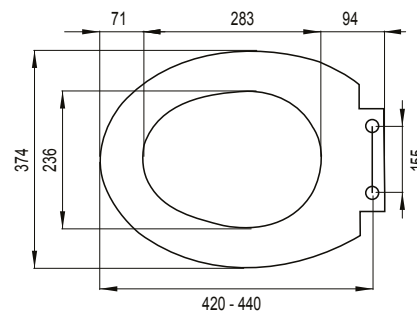
Installation method

- Suitable for back to wall, floor mounted WC and wall hung WC

Properties

- Material: duroplast
- Weight: 2,76 kg
- Detachable with quick-release system
- Off-set adjustable stainless steel hinges
- Load-bearing capacity lid 175 kg, 150 kg seat
- Scratch and wear resistant
- M6 bolts
- 4 replaceable buffers
- Easy fixation from above (Topfix)
- Easy fixation with special wrench
- Persistent color

Technical drawing



WISA®

White

Article number: **1409263601**

EAN-Code: 8711778163003

Packing: 5 Pcs./Carton

STAR S



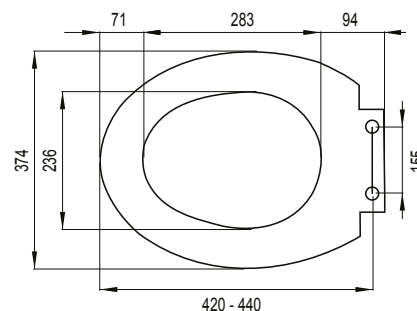
Installation method

- Suitable for back to wall, floor mounted WC and wall hung WC

Properties

- Material: duroplast
- Weight: 2,82 kg
- Softclose
- Detachable with quick-release system
- Off-set adjustable stainless steel hinges
- Load-bearing capacity lid 175 kg, 150 kg seat
- Scratch and wear resistant
- M6 bolts
- 4 replaceable buffers
- Easy fixation from above (Topfix)
- Easy fixation with special wrench
- Persistent color

Technical drawing



WISA®

Packing: 5 Pcs./Carton

| Article number | EAN-Code | Color |
|-------------------|---------------|----------|
| 1409263301 | 8711778141841 | white |
| 1409263314 | 8711778141858 | pergamon |

VIRGO S



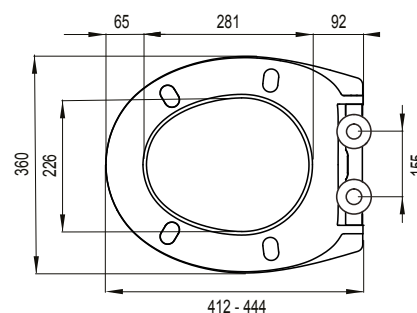
Installation method

- Suitable for back to wall, floor mounted WC and wall hung WC

Properties

- Material: duroplast
- Weight: 2,0 kg
- Softclose
- Detachable with quick-release system
- Off-set adjustable stainless steel hinges
- Scratch and wear resistant
- M6 bolts
- 4 replaceable buffers
- Easy fixation from above (Topfix)
- Persistent color

Technical drawing



WISA®

White

Article number: **1409267201**

EAN-Code: 8711778221123

Packing: 5 Pcs./Carton

ANTARES S



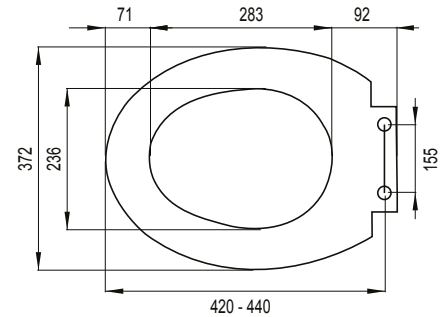
Installation method

- Suitable for back to wall, floor mounted WC and wall hung WC

Properties

- Material: duroplast
- Weight: 2,6 kg
- Softclose
- Detachable with quick-release system
- Off-set adjustable stainless steel hinges
- Scratch and wear resistant
- M6 bolts
- 4 replaceable buffers
- Easy fixation from above (Topfix)
- Persistent color

Technical drawing



WISA®

White
Article number: **1409264101**
EAN-Code: 8711778190627
Packing: 5 Pcs./Carton

AQUARIUS S



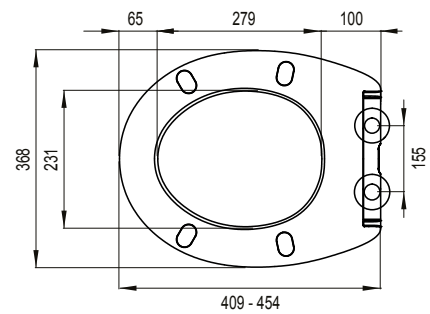
Installation method

- Suitable for back to wall, floor mounted WC and wall hung WC

Properties

- Material: duroplast
- Weight: 2,8 kg
- Softclose
- Slim line
- Detachable with quick-release system
- Off-set adjustable stainless steel hinges
- Scratch and wear resistant
- M6 bolts
- 4 replaceable buffers
- Easy fixation from above (Topfix)
- Persistent color

Technical drawing



WISA®

White
Article number: **1409267301**
EAN-Code: 8711778221130
Packing: 5 Pcs./Carton

CENTAUR



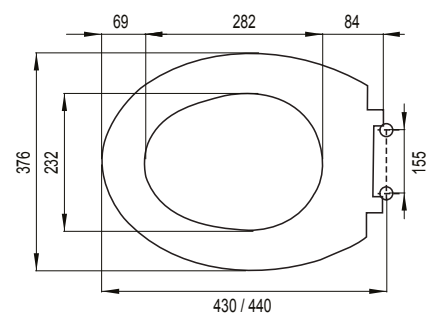
Installation method

- Suitable for floor mounted WC and wall hung WC

Properties

- Material: thermodur
- Weight: 2,3 kg
- Height adjustable stainless steel hinges
- Load-bearing capacity lid 175 kg, 150 kg seat
- Scratch and wear resistant
- M8 bolts
- 4 replaceable buffers
- Easy fixation with special wrench
- Persistent color

Technical drawing



WISA®

White
Article number: **1409262201**
EAN-Code: 8711778117587
Packing: 5 Pcs./Carton

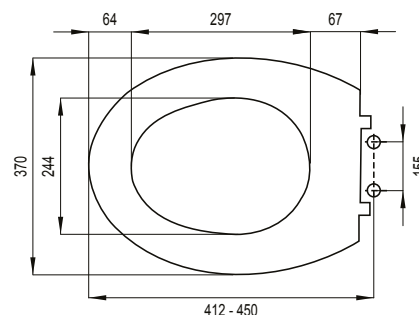
LEO

**Installation method**

- Suitable for floor mounted WC and wall hung WC

Properties

- Material: duroplast
- Weight: 2,76 kg
- Off-set adjustable stainless steel hinges
- Load-bearing capacity lid 175 kg, 150 kg seat
- Scratch and wear resistant
- M8 bolts
- 2 replaceable buffers
- Easy fixation with special wrench
- Cover and seat connected with stainless steel screw hinge
- Persistent color

Technical drawing

WISA®

Packing: 5 Pcs./Carton

| Article number | EAN-Code | Color |
|----------------|---------------|----------|
| 1409261401 | 8711778117464 | white |
| 1409261414 | 8711778117501 | pergamon |

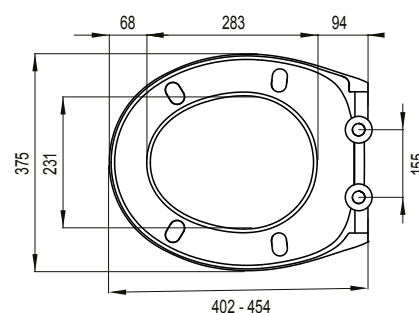
LIBRA

**Installation method**

- Suitable for floor mounted WC and wall hung WC

Properties

- Material: duroplast
- Weight: 2,0 kg
- Off-set adjustable stainless steel hinges
- Scratch and wear resistant
- M8 bolts
- 4 replaceable buffers
- Easy fixation from below
- Persistent color

Technical drawing

WISA®

White
Article number: 1409267001
EAN-Code: 8711778221109
Packing: 5 Pcs./Carton

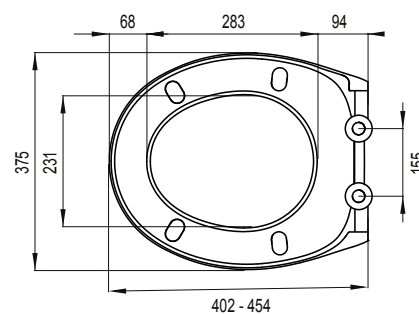
LIBRA QR

**Installation method**

- Suitable for back to wall, floor mounted WC and wall hung WC

Properties

- Material: duroplast
- Weight: 2,0 kg
- Detachable with quick-release system
- Off-set adjustable stainless steel hinges
- Scratch and wear resistant
- M6 bolts
- 4 replaceable buffers
- Easy fixation from above (Topfix)
- Persistent color

Technical drawing

WISA®

White
Article number: 1409267101
EAN-Code: 8711778221116
Packing: 5 Pcs./Carton

MARS S



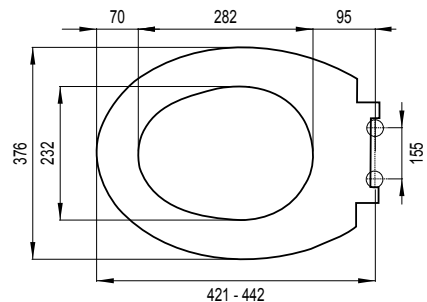
Installation method

- Suitable for floor mounted WC and wall hung WC

Properties

- Material: duroplast
- Weight: 2,18 kg
- Softclose
- Off-set adjustable stainless steel hinges
- Load-bearing capacity lid 175 kg, 150 kg seat
- Scratch and wear resistant
- M8 bolts
- 4 replaceable buffers
- Easy fixation with special wrench
- Persistent color

Technical drawing



OWISA®

White

Article number: **1409263701**

EAN-Code: 8711778166288

Packing: 5 Pcs./Carton

ARIES S



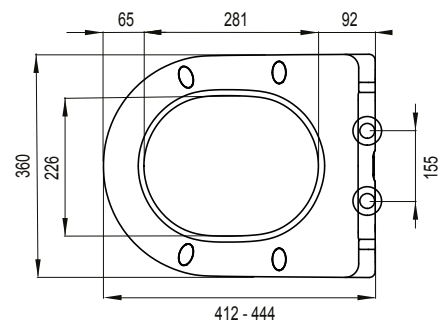
Installation method

- Suitable for back to wall, floor mounted WC and wall hung WC in D-model

Properties

- Material: duroplast
- Weight: 2,3 kg
- Softclose
- Slim line
- Detachable with quick-release system
- Off-set adjustable stainless steel hinges
- Scratch and wear resistant
- M6 bolts
- 4 replaceable buffers
- Easy fixation from above (Topfix)
- Persistent color

Technical drawing



OWISA®

White

Article number: **1409267901**

EAN-Code: 8711778221192

Packing: 5 Pcs./Carton

D-STAR 300



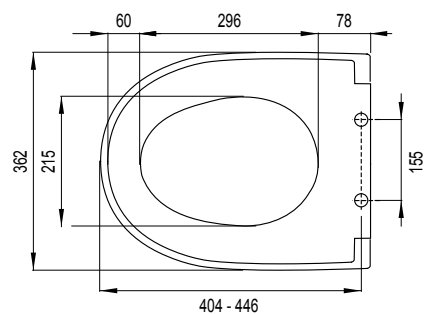
Installation method

- Suitable for back to wall, floor mounted WC and wall hung WC in D-model

Properties

- Material: thermodur
- Weight: 2,62 kg
- Detachable with quick-release system
- Off-set adjustable stainless steel hinges
- Load-bearing capacity lid 175 kg, 150 kg seat
- Scratch and wear resistant
- M6 bolts
- 4 replaceable buffers
- Easy fixation from above (Topfix)
- Persistent color

Technical drawing



OWISA®

White

Article number: **1409263401**

EAN-Code: 8711778159563

Packing: 5 Pcs./Carton

D-STAR 300 S



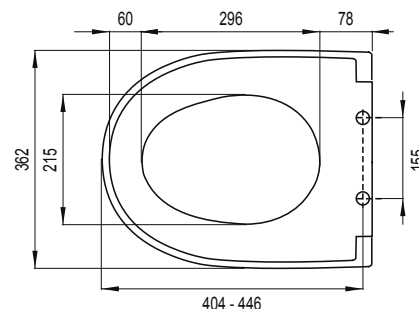
Installation method

- Suitable for back to wall, floor mounted WC and wall hung WC in D-model

Properties

- Material: thermodur
- Weight: 2,67 kg
- Softclose
- Detachable with quick-release system
- Off-set adjustable stainless steel hinges
- Load-bearing capacity lid 175 kg, 150 kg seat
- Scratch and wear resistant
- M6 bolts
- 4 replaceable buffers
- Easy fixation from above (Topfix)
- Persistent color

Technical drawing



WISA®

Packing: 5 Pcs./Carton

| Article number | EAN-Code | Color |
|----------------|---------------|----------|
| 1409263501 | 8711778159587 | white |
| 1409263514 | 8711778159594 | pergamon |

SCORPIO S



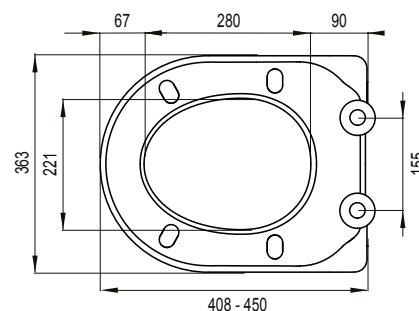
Installation method

- Suitable for back to wall, floor mounted WC and wall hung WC in D-model

Properties

- Material: duroplast
- Weight: 2,4 kg
- Softclose
- Detachable with quick-release system
- Off-set adjustable stainless steel hinges
- Scratch and wear resistant
- M6 bolts
- 4 replaceable buffers
- Easy fixation from above (Topfix)
- Persistent color

Technical drawing



WISA®

White

Article number: 1409267401

EAN-Code: 8711778221147

Packing: 5 Pcs./Carton

ZODIAC S



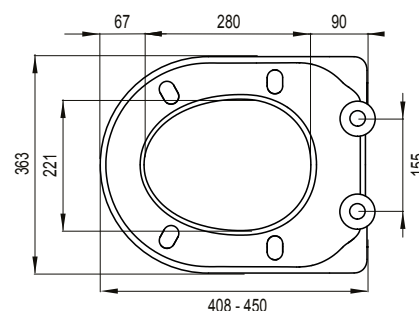
Installation method

- Suitable for back to wall, floor mounted WC and wall hung WC in D-model

Properties

- Material: duroplast
- Weight: 2,4 kg
- Softclose
- Slim line
- Detachable with quick-release system
- Off-set adjustable stainless steel hinges
- Scratch and wear resistant
- M6 bolts
- 4 replaceable buffers
- Easy fixation from above (Topfix)
- Persistent color

Technical drawing



WISA®

White

Article number: 1409267501

EAN-Code: 8711778221154

Packing: 5 Pcs./Carton

TAURUS S



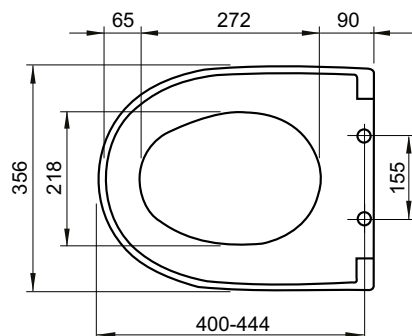
Installation method

- Suitable for back to wall, floor mounted WC and wall hung WC

Properties

- Material: thermoplast
- Weight: 1,4 kg
- Softclose
- Slim line
- Off-set adjustable stainless steel hinges
- Scratch and wear resistant
- M6 bolts
- 4 replaceable buffers
- Easy fixation from above (Topfix)
- Persistent color

Technical drawing



WISA®

White
 Article number: **1409267601**
 EAN-Code: 8711778221161
 Packing: 5 Pcs./Carton

CAPELLA



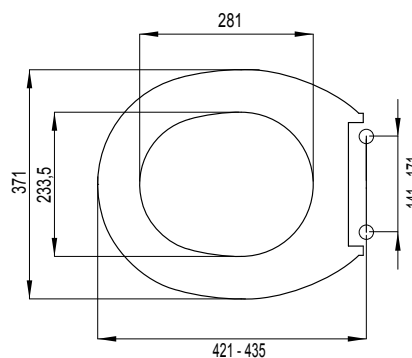
Installation method

- Suitable for floor mounted WC and wall hung WC

Properties

- Material: termoplast
- Weight: 1,26 kg
- Softclose
- Off-set adjustable plastic hinges

Technical drawing



WISA®

White
 Article number: **1409262701**
 EAN-Code: 8711778125223
 Packing: 5 Pcs./Carton

CARE



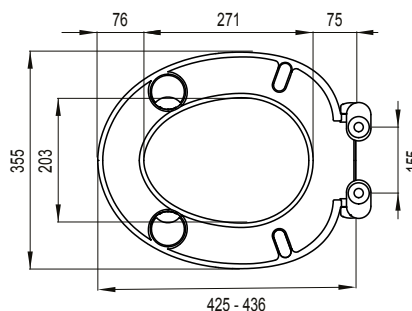
Installation method

- Suitable for back to wall, floor mounted WC and wall hung WC

Properties

- Material: duroplast
- Weight: 1,4 kg
- Off-set adjustable stainless steel hinges
- Scratch and wear resistant
- M8 bolts
- 4 replaceable buffers
- Easy fixation from above (Topfix)
- Persistent color

Technical drawing



WISA®

White
 Article number: **1409267701**
 EAN-Code: 8711778221178
 Packing: 5 Pcs./Carton

HINGES



WISA®

| Article number | EAN-Code | Description | Material |
|----------------|---------------|--|-----------------|
| 1409260170 | 8711778228207 | Hinge set stainless steel Topfix for D-Star S/Star S/Antares | stainless steel |
| 1409260171 | 8711778228214 | Hinge set stainless steel Topfix for Antares/Virgo/Taurus/Aquarius S/Scorpio S | stainless steel |
| 1409260172 | 8711778228221 | Hinge set stainless steel Topfix for Zodiac S/ Aries S | stainless steel |
| 1409260173 | 8711778228238 | Hinge set stainless steel Topfix for Libra QR | stainless steel |
| 1409260174 | 8711778228245 | Hinge set stainless steel Topfix for Care | stainless steel |
| 1409260145 | 8711778159013 | Hinge set stainless steel off center for Star and Star S | stainless steel |
| 1409260151 | 8711778000216 | Hinge set stainless steel off center for D-Star | stainless steel |
| 1409260146 | 8711778159020 | Hinge set stainless steel for Centaur | stainless steel |
| 1409260147 | 8711778159037 | Hinge set stainless steel off center for Leo, Mars S, Libra QR e Libra | stainless steel |
| 1409260153 | 8711778166295 | Hinge set stainless steel off center for Mars S | stainless steel |
| 1409260144 | 8711778125803 | Hinge set stainless steel off center for Capella | plastic |

BUFFERS



WISA®

| Article number | EAN-Code | Description |
|----------------|---------------|---|
| 1409260148 | 8711778159044 | Toilet seat buffers Star, Star S |
| 1409260152 | 8711778000223 | Toilet seat buffers D-Star 300, D-Star 300 S |
| 1409260149 | 8711778159051 | Toilet seat buffers Centaur |
| 1409260150 | 8711778159068 | Toilet seat buffers Leo |
| 1409260154 | 8711778166301 | Toilet seat buffers Mars, Mars S |
| 1409260143 | 8711778125797 | Toilet seat buffers Capella |
| 1409260180 | 8711778228252 | Toilet seat buffers Zodiac S / Aries S |
| 1409260181 | 8711778228269 | Toilet seat buffers Taurus S |
| 1409260182 | 8711778228276 | Toilet seat buffers Care |
| 1409260183 | 8711778228283 | Toilet seat buffers Libra QR/Virgo/Aquarius S/Scorpio S/Libra |



In health and care for the elderly, optimal adaptation to the user is highly desirable. Schwab's products make it easier to use.

VarioTronic



Installation method

- A pre-wall system, electrically height adjustable and equipped with a 380 UP cistern

Properties

- Supporting, blue powder coated WC element, square profile 40x40 mm with pre-assembled 380 UP cistern
- Front flushing, dual flushing (3/6 L)
- Flush volume adjustable (6-7,5 L)
- Pre-assembled wall brackets and adjustable footrests 0-200mm
- Fully insulated against condensation

Special features

- Hydraulic filling valve (noise class 1 according to ISO 3822)
- The height of the toilet can be easily adjusted by 20 cm (-2 cm / + 18 cm) by means of a remote control
- The minimum height of the wall toilet (upper edge of ceramic) is 38 cm
- The maximum height 58 cm
- The system is provided with stainless steel plates on both sides and on the shelf (this is also the maintenance access of the element)
- The side and storage surfaces are made of high-quality stainless steel
- The front of the element can be selected in HPL (standard color white) or in safety glass (color black or white)
- Optional folding support handles are also available in black or white

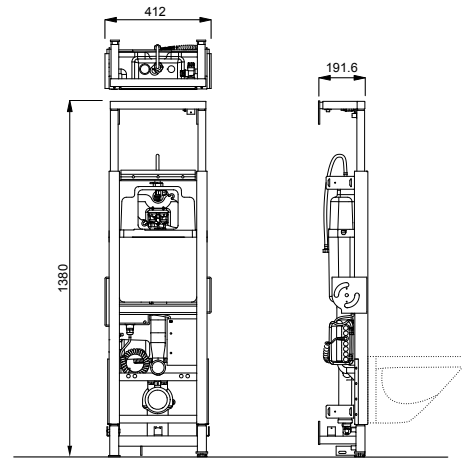
Product contains

- Cistern, complete with stop valve – top middle
- Watter connection G 1/2
- PE drain elbow Ø 90 mm with seal
- Eccentric PE adapter Ø 90 / 110 mm with seal
- Complete installation and fixing material

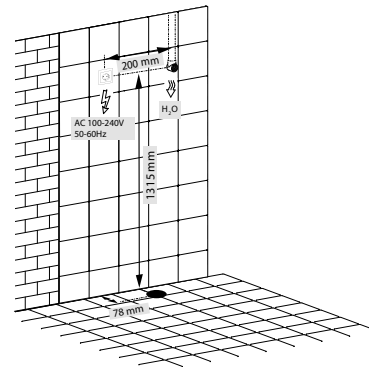
Flushing plate needs to be ordered separate

CE EN 14055 - CL1 - 6 - NLI - VR I

Technical drawing



Requirements for installation



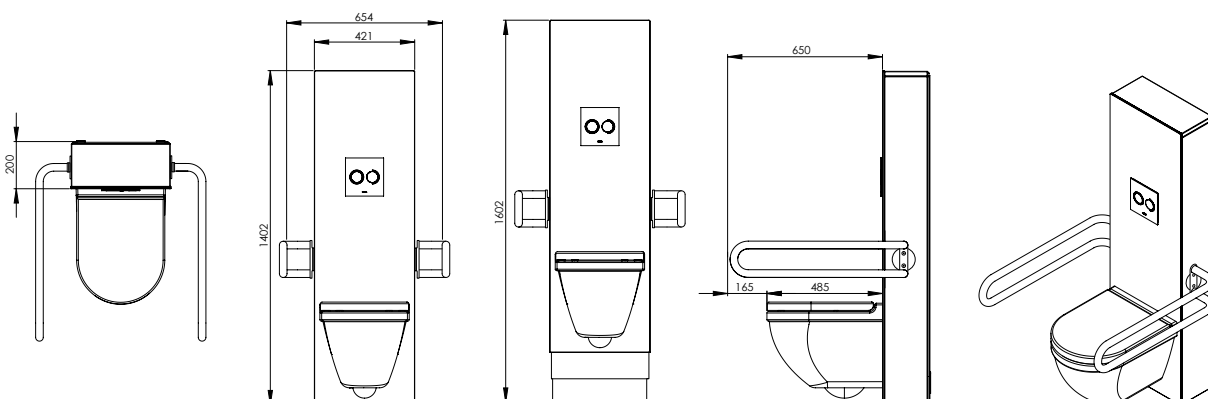
OWISA®

Article number: 8050482101
EAN code: 8711778200746

Matching flushing plates on pages 59-67



Optimal accessibility, freedom of movement and choice



VarioTronic Glass



Installation method

- For VarioTronic pre-wall system

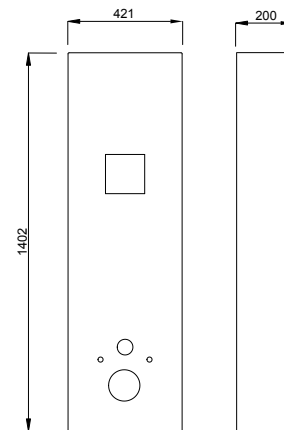
Properties

- The front of the element in safety glass
- Stainless steel side panels and top

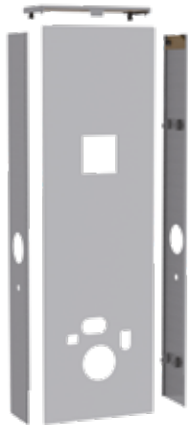
Color: white
Article number: **8050482501**
EAN code: 8711778200760

Color: black
Article number: **8050482338**
EAN code: 8711778200753

Technical drawing



VarioTronic HPL



Installation method

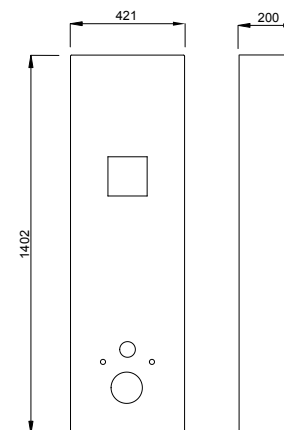
- For VarioTronic pre-wall system

Properties

- The front of the element in HPL
- Stainless steel side panels and top

Color: white
Article number: **8050482701**
EAN code: 8711778200777

Technical drawing



VarioTronic CONN. DWC



Installation method

- For VarioTronic pre-wall system, electrically height-adjustable

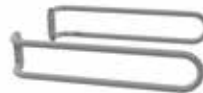
Properties

- T piece between inlet and cistern
- Connecting shower toilet



Article number: **8050482801**
EAN code: 8711778202894

VarioTronic supporting handles



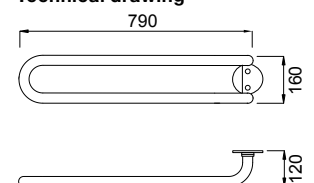
Installation method

- For VarioTronic pre-wall system
- Lateral mounting of the support handles on the system

Properties

- The support handles move with the element
- The support handles are easy to mount (dismantled)
- Color: white, black
- Toilet roll + holder for remote control bracket
- Bracket in total for left and right hand use

Technical drawing



Color: white
Article number: **8050482201**
EAN code: 8711778202832

Color: black
Article number: **8050482401**
EAN code: 8711778202870

DUPLO WC 380 L SP



Installation method

- For pre-wall installation

Properties

- Supporting, blue powder coated WC element, square profile 40x40 mm with pre-assembled 380 UP concealed cistern
- Frontal flushing, for start-stop (6 L) or dual flushing (3/6 L)
- Flush volume adjustable between 6 and 7.5 L
- Pre-assembled wall brackets and adjustable feet (0-200 mm)
- Water connection possibility on four positions
- Fully insulated against condensation

Special features

- Quiet Hydraulic Fill valve (Noise class 1 ISO 3822)
- Side profiles with multiple bonded waterproof wooden plates for supporting handholds
- Depth adjustable drain elbow (+/-20 mm)

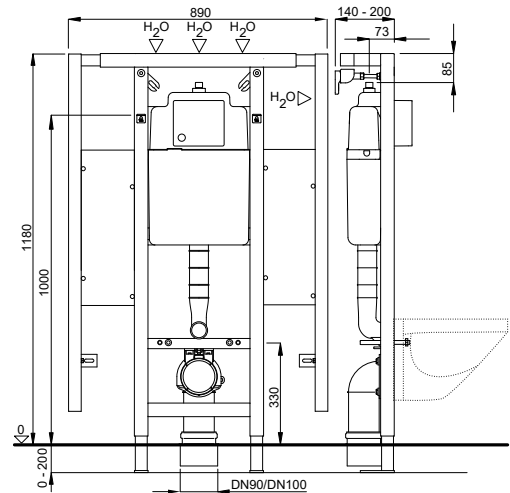
Product contains

- Concealed cistern equipped with pre-installed stop valve – top middle
- Water connection G 1/2
- PE drain elbow Ø 90 mm with seal
- Eccentric PE adapter Ø 90 / 110 mm with seal
- Complete installation and fixing materials

Flushing plate needs to be ordered separately

CE EN 14055 - CL1 - 6 - NL I - VR I

Technical drawing



Matching flushing plates on pages 59-67



Article number: **4060452737**
 EAN-Code: 8711778213869
 Packing: 14 Pcs./Pallet

DUPLO WC 380 VARIO



Installation method

- Installation in prefabricated walls, pre-wall installation in dry walls, universal installation into solid walls

Properties

- Supporting, blue powder coated WC element, square profile 40x40 mm with pre-assembled 380 UP concealed cistern
- Frontal flushing, for start-stop (6 L) or dual flushing (3/6 L)
- Flush volume adjustable between 6 and 7.5 L
- Pre-assembled wall brackets and adjustable feet (0-200 mm)
- Water connection possibility on four positions
- Fully insulated against condensation

Special features

- Quiet Hydraulic Fill valve (Noise class 1 ISO 3822)
- Variable height adjustment of the toilet (+100 mm) after completion of the pre-wall
- Mounting height WC incl. seat according to DIN 18040-1/ DIN 18040-2: 460-480 mm
- Depth adjustable drain elbow (+/-20 mm)

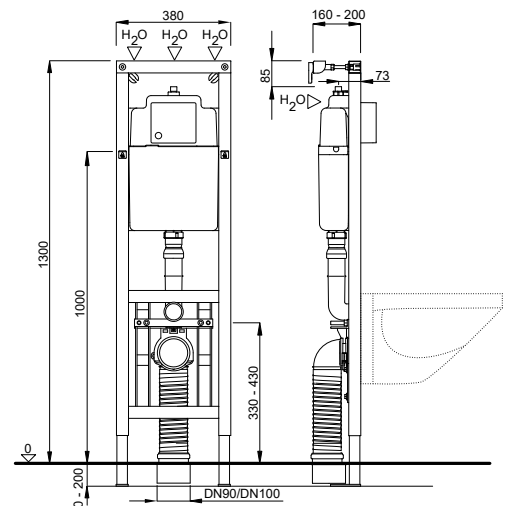
Product contains

- Concealed cistern equipped with pre-installed stop valve – top middle
- Water connection G 1/2
- PE drain elbow Ø 90 mm with seal
- Eccentric PE adapter Ø 90 / 110 mm with seal
- Complete installation and fixing material
- Including Vario cover plate (PE)

Flushing plate needs to be ordered separately

CE EN 14055 - CL1 - 6 - NL I - VR I

Technical drawing



Matching flushing plates on pages 59-67



Article number: **4060452735**
 EAN-Code: 8711778213852
 Packing: 14 Pcs./Pallet

DUPLO WC 380 L VARIO SP



Installation method

- For pre-wall installation

Properties

- Supporting, blue powder coated WC element, square profile 40x40 mm with pre-assembled 380 UP concealed cistern
- Frontal flushing, for start-stop (6 L) or dual flushing (3/6 L)
- Flush volume adjustable between 6 and 7.5 L
- Pre-assembled wall brackets and adjustable feet (0-200 mm)
- Water connection possibility on four positions
- Fully insulated against condensation

Special features

- Quiet Hydraulic Fill valve (Noise class 1 ISO 3822)
- Variable height adjustment of the toilet (+100 mm) after completion of the pre-wall
- Mounting height WC incl. seat according to DIN 18040-1/ DIN 18040-2: 460-480 mm
- Side profiles with multiple bonded waterproof wooden plates for supporting handholds
- Depth adjustable drain elbow (+/-20 mm)

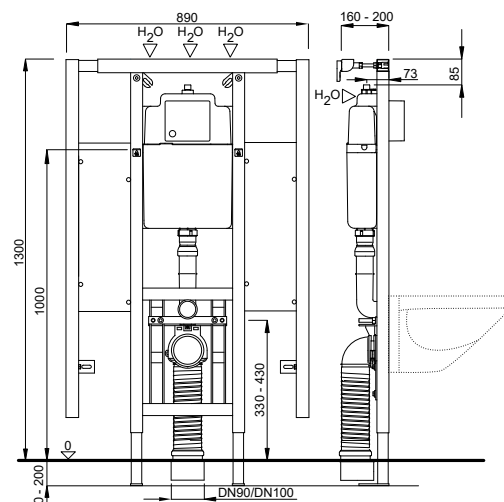
Product contains

- Concealed cistern equipped with pre-installed stop valve – top middle
- Water connection G 1/2
- PE drain elbow Ø 90 mm with seal
- Eccentric PE adapter Ø 90 / 110 mm with seal
- Complete installation and fixing material
- Including Vario cover plate (PE)

Flushing plate needs to be ordered separately

CE EN 14055 - CL1 - 6 - NLI - VRI

Technical drawing



Matching flushing plates on pages 59-67



Article number: **4060452738**
 EAN-Code: 8711778213876
 Packing: 8 Pcs./Pallet

DUPLO WT 380 CONCEALED TRAP



Installation method

- Installation in prefabricated walls, pre-wall installation in dry walls, universal installation into solid walls

Properties

- Supporting, blue powder coated washbasin element, C-Profil 40x40 mm
- Pre-assembled fixing elements and adjustable feet (0-200 mm)
- Height adjustable traverse for wash table mounting
- Height adjustable retaining plate for wall panels
- Removable odor seal insert, height adjustable plastic elbow – white, cover rosette

Special features

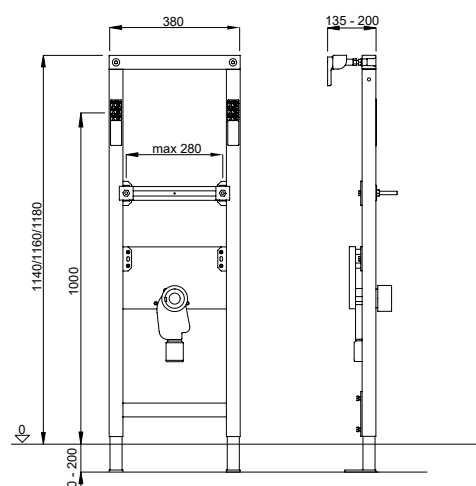
- Wall mounting trap DN 50

Product contains

- Protective cap for unfinished construction
- Fastening rod M10 (distance dimension up to 280 mm)
- Complete assembly and mounting material

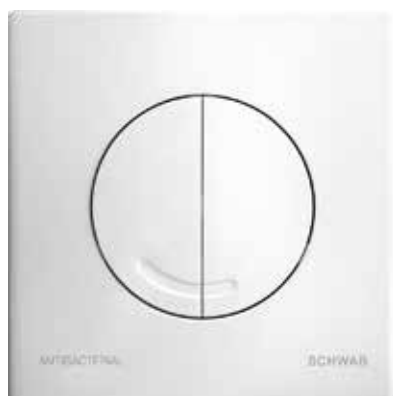
Available on request

Technical drawing



Article number: **8050452723**
 EAN-Code: 8711778211102
 Packing: 28 Pcs./Pallet

VERIA DUO ANTIBAC



VERIA DUO ANTIBAC



White
Article number: **4060414602**
EAN-Code: 8711778212947

Installation method

- For installation on concealed flushing cisterns

Properties

- Material: high quality plastic
- Dual flushing
- Color: white
- For 380 UP concealed cistern

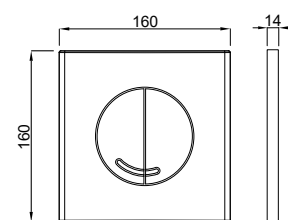
Special features

- Easy installation and service
- With silver ions for antibacterial effect

Product contains

- Complete fixing material

Technical drawing



Packing: 20 Pcs./Carton

ITEA STEEL



ITEA STEEL



Stainless steel
Article number: **4060404001**
EAN-Code: 8711778212718

Installation method

- For installation on concealed flushing cisterns

Properties

- Material: stainless steel
- For 380 UP concealed cistern

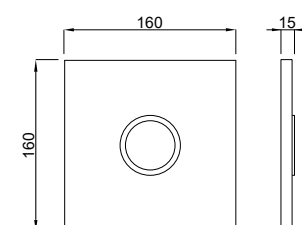
Special features

- Easy installation and service
- Suitable for (semi) public areas
- Lockable with countersunk bolt

Product contains

- Complete fixing material
- Incl. pneumatic lifting unit

Technical drawing



Packing: 12 Pcs./Carton

Tele Blue



Installation method

- Pneumatic remote release suitable for 380 WC elements
- Only to be used in combination with ITEA STEEL flushing plate

Properties

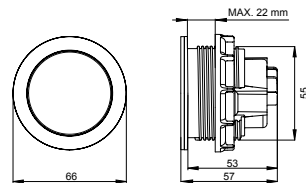
- Material: stainless steel

Product contains

- Air hose: approx. 2 meters

*Delivery time on request

Technical drawing



Article number: **4060404232**
 EAN-Code: 8711778212732
 Packing: 16 Pcs./Carton

Tele Schw. + lifting unit



+



Installation method

- To be used in combination with 380 / XS and 387 / XT WC elements

Properties

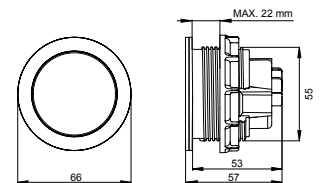
- Material: stainless steel

Product contains

- Incl. pneumatic lifting unit
- Air hose: approx. 2 meters

*Delivery time on request

Technical drawing



Article number: **4060404238**
 EAN-Code: 8711778212749
 Packing: 16 Pcs./Carton

Kit 2x Tele Steel



+



Installation method

- Additional operation at the concealed flushing cistern possible in combination with the flushing plate ITEA STEEL

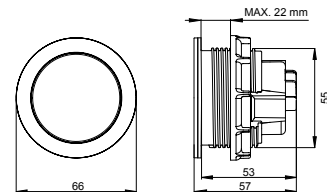
Properties

- Material: stainless steel
- Including outlet and pneumatic lifting unit
- Suitable for supporting handles with holding plate for pneumatic operations with a hole diameter of 56 mm
- Operation left and right (6 L)

Product contains

- Including outlet and pneumatic lifting unit
- Air hose: approx. 2 meters

Technical drawing



Article number: **4060404111**
 EAN-Code: 8711778212725

LEO



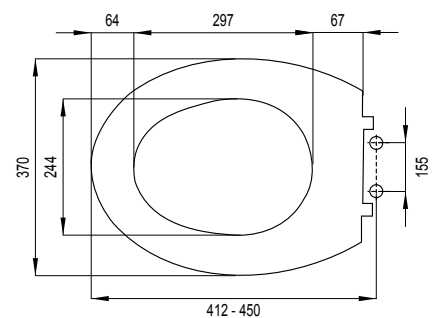
Installation method

- Suitable for floor mounted WC and wall hung WC

Properties

- Thermoset toilet seat
- Weight 2,76 kg
- With eccentrically adjustable stainless steel hinges
- Scratch and wear-resistant
- M8 screws
- 2 interchangeable buffers
- Easy to attach (key included)
- Lid and seat ring connected by stainless steel hinges

Technical drawing



OWISA®

White
 Article number: **1409261401**
 EAN-Code: 8711778117464
 Packing: 5 Pcs./Carton

Pergamon
 Article number: **1409261414**
 EAN-Code: 8711778117501
 Packing: 5 Pcs./Carton





Preferred by professional plumbers worldwide



Anti-siphon prevents contamination



For high & low pressure



Ultra quiet



Fast refill



Unique snap release for easy access & maintenance



Long life performance



10 years guarantee

Fluidmaster fill valves have a compact and modern design and are suitable for various models of flushing cisterns. Quality is assured by factory testing of every valve, living up to the highest Fluidmaster quality standards.

Flush valves have a high degree of flexibility and are suitable for various models of flushing cisterns.

Chosen by plumbers, ceramic manufacturers and “Do it yourselfers” around the world, we are known for our performance and technology, quality, durability, ease of installation and innovation.

114 FILL VALVES 747

115 FILL VALVES 400

116 FILL VALVE HDV

116 FILL VALVE HVK

116 FLUSH VALVE 550

117 FLUSH VALVE 820

117 KITS FILL & FLUSH VALVE

WHY FLUIDMASTER?



747 + holder
G 3/8 brass



747
G 3/8 brass



747
G 1/2 brass



HDV
G 3/8 brass



| | | | | |
|----------------------------------|---------------------|---------------------|---------------------|---------------|
| Ident. No. | 747E-036-P20 | 747E-037-P20 | 747U-038-P20 | 229109 |
| EAN code | 3838912063496 | 3838912063502 | 3838912063519 | 3838912011916 |
| Shank | G 3/8 brass | G 3/8 brass | G 1/2 brass | G 3/8 brass |
| Connection to water | side | side | side | side |
| Type | hydraulic | hydraulic | hydraulic | mechanical |
| Noise level | Class 1 | Class 1 | Class 1 | Class 1 |
| Water level adjustable | ✓ | ✓ | ✓ | ✓ |
| For high and low pressure | 0,2 – 16 bar | 0,2 – 16 bar | 0,2 – 16 bar | 0,1 – 10 bar |

FLUSH VALVES OVERVIEW



| | | |
|--|---|---|
| Ident. No. | 550B-005-P15 | 820F-013-P15 |
| EAN code | 3838912063489 | 3838912063526 |
| Flushing type | dual flush | dual flush |
| Flushing adjustment possibilities | full flush, partial flush | full flush, partial flush |
| Activation type | mechanical | mechanical |
| Activation button position | top, side or front | top |
| Cistern button hole | Ø 18 – 40 mm | Ø 40 mm |
| Outlet (thread on valve outlet) | G 2 (Ø 59,614 mm) | G 2 (Ø 59,614 mm) |
| Fits cisterns | with hole at the bottom of the cistern Ø 60,3 – 64,4 mm | with hole at the bottom of the cistern Ø 60,3 – 64,4 mm |

FILL VALVES OVERVIEW

| | | | |
|--|--|---|--|
| HVK G 3/8 brass  | 400 G 3/8 brass  | 400 G 1/2 brass  | 400 G 3/8 plastic  |
| 8035432795 | 400E-025-P25 | 400U-026-P25 | 400E-027-P25 |
| 8711778074460 | 3838912063458 | 3838912063472 | 3838912063465 |
| G 3/8 brass | G 3/8 brass | G 1/2 brass | G 3/8 plastic |
| side | bottom | bottom | bottom |
| hydraulic | hydraulic | hydraulic | hydraulic |
| Class 1 | Class 1 | Class 1 | Class 1 |
| ✓ | ✓ | ✓ | ✓ |
| 0,5 – 10 bar | 0,2 – 16 bar | 0,2 – 16 bar | 0,2 – 16 bar |

TOILET VALVE KITS

| | | |
|--|--|--|
| KIT 747 + 550  | KIT 747 + 820  | KIT KIT 400E & 820  |
| K-747E-035-P10 | K-747E-034-P10 | K-400E-029-P10 |
| 3838912063557 | 3838912063540 | 8681282655717 |
| KIT 400E & 821  | KIT 400E + 550  | |
| K-400E-030-P10 | K-400E-031-P10 | |
| 8681282655724 | 8681282655731 | |

FILL VALVE 747, brass shank G 3/8, side inlet, with holder



Purpose

- Suitable for concealed and exposed flushing cisterns
- Suitable for ceramic cisterns

Properties

- Durable hydraulic filling valve
- Compact filling valve
- Side mount valve
- Suitable for high and low pressure
- Extremely quiet operation (Classe 1)
- Short filling time
- Water level adjusting screw
- Anti-corrosion material
- Self-cleaning system
- Fast and easy to install
- Instruction manual included
- Proven and reliable quality
- Consistent performance

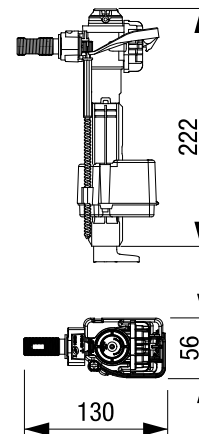
Special features

- Diffuser included
- Holder included

Technical characteristic

- Brass shank G 3/8 x 35 mm

Technical drawing



Article number: **747E-036-P20**
 EAN-Code: 3838912063496
 Packing: 20 Pcs./carton

 **Fluidmaster.**

FILL VALVE 747, brass shank G 3/8, side inlet



Purpose

- Suitable for concealed and exposed flushing cisterns
- Suitable for ceramic cisterns

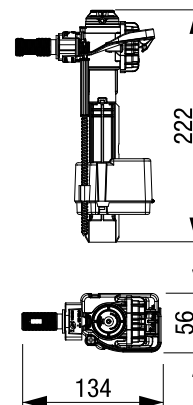
Properties

- Durable hydraulic filling valve
- Compact filling valve
- Side mount valve
- Suitable for high and low pressure (restrictor added in the shank)
- Extremely quiet operation (Classe 1)
- Short filling time
- Water level adjusting screw
- Anti-corrosion material
- Self-cleaning system
- Fast and easy to install
- Instruction manual included
- Proven and reliable quality
- Consistent performance

Technical characteristic

- Brass shank G 3/8 x 39 mm

Technical drawing



Article number: **747E-037-P20**
 EAN-Code: 3838912063502
 Packing: 20 Pcs./carton

 **Fluidmaster.**

FILL VALVE 747, brass shank G 1/2, side inlet



Purpose

- Suitable for concealed and exposed flushing cisterns
- Suitable for ceramic cisterns

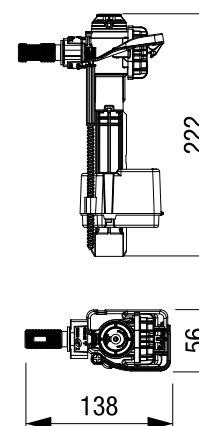
Properties

- Durable hydraulic filling valve
- Compact filling valve
- Side mount valve
- Suitable for high and low pressure (restrictor added in the shank)
- Extremely quiet operation (Classe 1)
- Short filling time
- Water level adjusting screw
- Anti-corrosion material
- Self-cleaning system
- Fast and easy to install
- Instruction manual included
- Proven and reliable quality
- Consistent performance

Technical characteristic

- Brass shank G 1/2 x 44 mm

Technical drawing



Article number: **747U-038-P20**
 EAN-Code: 3838912063519
 Packing: 20 Pcs./carton

 **Fluidmaster.**

FILL VALVE 400, brass shank G 3/8, bottom inlet



Purpose

- Suitable for exposed plastic and ceramic flushing cistern
- with bottom water connection

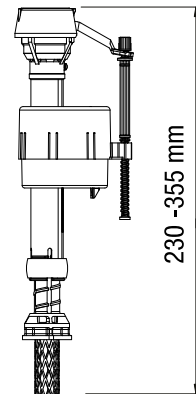
Properties

- Bottom mount valve
- Height adjustable valve (230 – 355 mm)
- Suitable for high and low pressure
- Extremely quiet operation (Classe 1)
- Fast filling time
- Unique self-cleaning valve mechanism
- Fast and easy to install
- Installation sheet included
- Proven and reliable quality
- Consistent performance

Technical characteristic

- Brass shank G 3/8 x 43 mm

Technical drawing



Article number: 400E-025-P25
 EAN-Code: 3838912063458
 Packing: 25 Pcs./carton



FILL VALVE 400, plastic shank G 3/8, bottom inlet



Purpose

- Suitable for exposed plastic and ceramic flushing cistern
- with bottom water connection

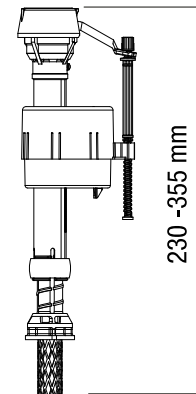
Properties

- Bottom mount valve
- Height adjustable valve (230 – 355 mm)
- Suitable for high and low pressure
- Extremely quiet operation (Classe 1)
- Fast filling time
- Unique self-cleaning valve mechanism
- Fast and easy to install
- Installation sheet included
- Proven and reliable quality
- Consistent performance

Technical characteristic

- Plastic shank G 3/8 x 43 mm

Technical drawing



Article number: 400E-027-P25
 EAN-Code: 3838912063465
 Packing: 25 Pcs./carton



FILL VALVE 400, brass shank G 1/2, bottom inlet



Purpose

- Suitable for exposed plastic and ceramic flushing cistern
- with bottom water connection

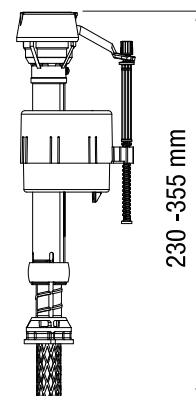
Properties

- Bottom mount valve
- Height adjustable valve (230 – 355 mm)
- Suitable for high and low pressure
- Extremely quiet operation (Classe 1)
- Fast filling time
- Unique self-cleaning valve mechanism
- Fast and easy to install
- Installation sheet included
- Proven and reliable quality
- Consistent performance

Technical characteristic

- Brass shank G 1/2 x 50 mm

Technical drawing



Article number: 400U-026-P25
 EAN-Code: 3838912063472
 Packing: 25 Pcs./carton



FILL VALVE HDV, brass shank G 3/8, side inlet



Purpose

- Suitable for concealed and exposed flushing cisterns

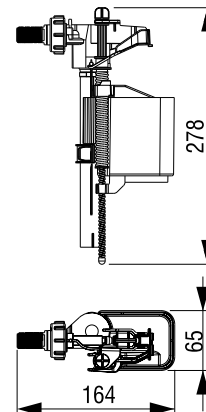
Properties

- Durable mechanical filling valve
- Extremely robust filling valve
- Side mount valve
- Resistant to small-sized particles in inflow water
- Extremely quiet operation (Classe 1)
- Short filling time
- Water level adjusting screw
- Fast and easy to install
- Installation sheet included
- Proven and reliable quality
- Consistent performance

Technical characteristic

- Brass shank G 3/8 x 21 mm

Technical drawing



Article number: **229109**
 EAN-Code: 3838912011916
 Packing: 40 Pcs./carton

FILL VALVE HVK, brass shank G 3/8, side inlet



Purpose

- Suitable for concealed and exposed flushing cisterns

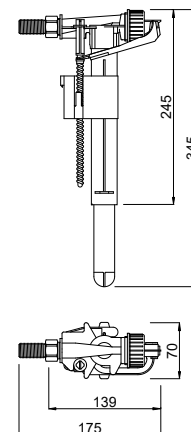
Properties

- Durable hydraulic filling valve
- Side mount valve
- Extremely quiet operation (Classe 1)
- Fast filling time
- Water level adjusting screw
- Telescopic tube
- Fast and easy to install
- Installation sheet included
- Proven and reliable quality
- Consistent performance

Technical characteristic

- Brass shank G 3/8 x 33 mm

Technical drawing



Article number: **8035432795**
 EAN-Code: 8711778074460
 Packing: 36 Pcs./carton

 **Fluidmaster.**

FLUSH VALVE 550, outlet G 2



Purpose

- Suitable for ceramic cisterns

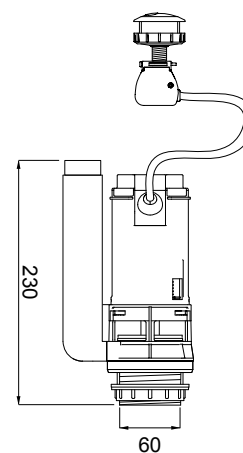
Properties

- Dual flush valve with mechanical activation
- Adjustable overflow height (215,9 – 342,9 mm)
- Cable length 550 mm for maximum flexibility
- Full and partial flush option available
- Easily activated with dual flush button
- Possibility of installing the activation button in different positions of the cistern (top, front, side)
- For cistern button hole 18 - 40 mm
- Adjustable for many ceramic cisterns
- Long lasting silicone seal
- Robust design
- Fast and easy to install
- Installation sheet included
- Proven and reliable quality
- Consistent performance

Technical characteristic

- Outlet G 2

Technical drawing



Article number: **550B-005-P15**
 EAN-Code: 3838912063489
 Packing: 15 Pcs./carton

 **Fluidmaster.**

FLUSH VALVE 820, outlet G 2



Purpose

- Suitable for ceramic cisterns

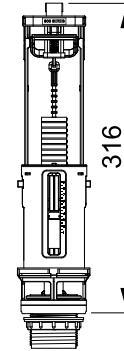
Properties

- Dual flush valve with mechanical activation
- Height adjustable flush valve (274 – 394 mm)
- Full and partial flush adjustment available
- Installation of activation button in the middle of upper part of the cistern
- Diameter of activation button 38 mm
- Top central button position
- “Twist & Release” action for simple maintenance
- Long lasting silicone seal
- Fast and easy to install
- Installation sheet included
- Proven and reliable quality
- Consistent performance

Technical characteristic

- Outlet G 2

Technical drawing



Article number: **820F-013-P15**
 EAN-Code: 3838912063526
 Packing: 15 Pcs./carton



FILL VALVE 747, brass shank G 3/8, side inlet + FLUSH VALVE 550, outlet G 2



Installation method

- Suitable for ceramic monoblock cisterns

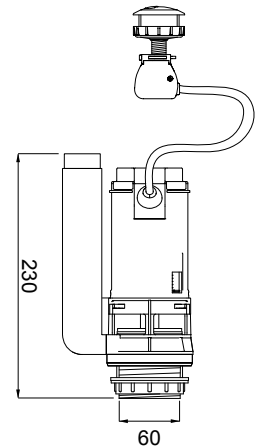
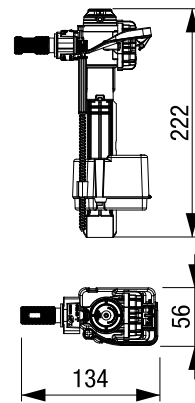
Properties - fill valve

- Durable hydraulic filling valve
- Compact filling valve
- Side mount valve
- Suitable for high and low pressure (restrictor added in the shank)
- Extremely quiet operation (Class 1)
- Short filling time
- Water level adjusting screw
- Anti-corrosion material
- Unique self-cleaning valve mechanism
- Fast and easy to install
- Proven and reliable quality
- Consistent performance
- Brass shank G 3/8 x 39 mm

Properties - flush valve

- Dual flush valve with mechanical activation
- Full and partial flush option available
- Adjustable overflow height (215,9 – 342,9 mm)
- Cable length 550 mm for maximum flexibility
- Easily activated with dual flush button
- Possibility of installing the activation button in different positions of the cistern (top, front, side)
- For cistern button hole Ø 18 – 40 mm
- Adjustable for many ceramic cisterns
- “Twist & Release” action for simple maintenance
- Long lasting silicone seal
- Robust design
- Fast and easy to install
- Proven and reliable quality
- Consistent performance
- Outlet G 2

Technical drawing



Article number: **K-747E-035-P10**
 EAN-Code: 3838912063557
 Packing: 10 Pcs./carton



FILL VALVE 747, brass shank G 3/8, side inlet + FLUSH VALVE 820 frame, outlet G 2



Installation method

- Suitable for ceramic monoblock cisterns

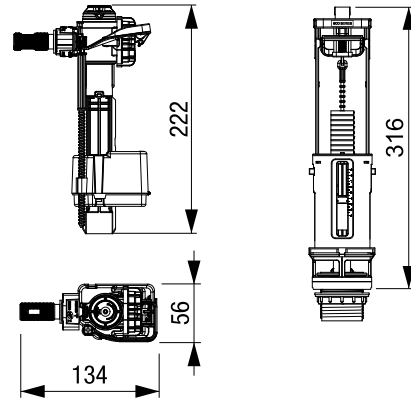
Properties - fill valve

- Durable hydraulic filling valve
- Compact filling valve
- Side mount valve
- Suitable for high and low pressure (restrictor added in the shank)
- Extremely quiet operation (Class 1)
- Short filling time
- Water level adjusting screw
- Anti-corrosion material
- Unique self-cleaning valve mechanism
- Fast and easy to install
- Proven and reliable quality
- Consistent performance
- Brass shank G 3/8 x 39 mm

Properties - flush valve

- Full and partial flush adjustment available
- Height adjustable flush valve (274 – 394 mm)
- Installation of activation button in the middle of upper part of the cistern
- Diameter of activation button 38 mm
- Top central button position
- "Twist & Release" action for simple maintenance
- Long lasting silicone seal
- Fast and easy to install
- Proven and reliable quality
- Consistent performance
- Installation sheet included
- Outlet G 2

Technical drawing



Article number: K-747E-034-P10

EAN-Code: 3838912063540

Packing: 10 Pcs./carton



FILL VALVE 400, brass shank G 3/8, bottom inlet + FLUSH VALVE 820, outlet G 2



Installation method

- Suitable for ceramic monoblock cisterns

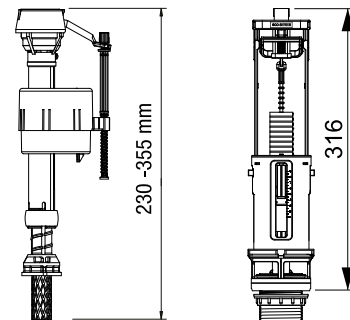
Properties - fill valve

- Bottom mount valve
- Height adjustable valve (230 – 355 mm)
- Suitable for high and low pressure
- Extremely quiet operation (Classe 1)
- Fast filling time
- Unique self-cleaning valve mechanism
- Fast and easy to install
- Installation sheet included
- Proven and reliable quality
- Consistent performance
- Brass shank G 3/8 x 43 mm

Properties - flush valve

- Full and partial flush adjustment available
- Height adjustable flush valve (274 – 394 mm)
- Installation of activation button in the middle of upper part of the cistern
- Diameter of activation button 38 mm
- Top central button position
- "Twist & Release" action for simple maintenance
- Long lasting silicone seal
- Fast and easy to install
- Proven and reliable quality
- Consistent performance
- Installation sheet included
- Outlet G 2

Technical drawing



Article number: K-400E-029-P10

EAN-Code: 8681282655717

Packing: 10 Pcs./carton



FILL VALVE 400, brass shank G 3/8, bottom inlet + FLUSH VALVE 821 paddle, outlet G 2



Installation method

- Suitable for ceramic monoblock cisterns

Properties - fill valve

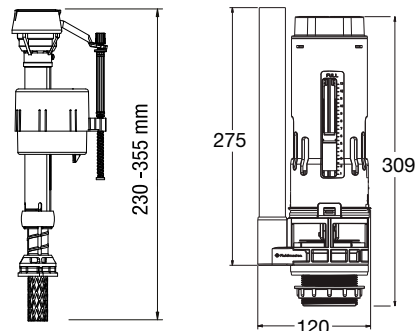
- Bottom mount valve
- Height adjustable valve (230 – 355 mm)
- Suitable for high and low pressure
- Extremely quiet operation (Classe 1)
- Fast filling time
- Unique self-cleaning valve mechanism
- Fast and easy to install
- Installation sheet included
- Proven and reliable quality
- Consistent performance
- Brass shank G 3/8 x 43 mm

Properties - flush valve

- Full and partial flush adjustment available
- Installation of activation button in the middle of upper part of the cistern
- Diameter of activation button 38 mm
- Top central button position
- "Twist & Release" action for simple maintenance
- Long lasting silicone seal
- Fast and easy to install
- Proven and reliable quality
- Consistent performance
- Installation sheet included
- Outlet G 2



Technical drawing



Article number: K-400E-030-P10

EAN-Code: 8681282655724

Packing: 10 Pcs./carton



FILL VALVE 400, brass shank G 3/8, bottom inlet + FLUSH VALVE 550 cable, outlet G 2



Installation method

- Suitable for ceramic monoblock cisterns

Properties - fill valve

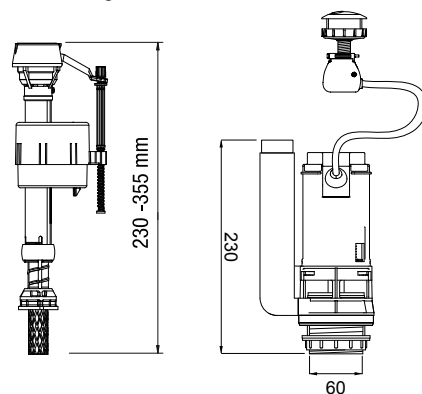
- Bottom mount valve
- Height adjustable valve (230 – 355 mm)
- Suitable for high and low pressure
- Extremely quiet operation (Classe 1)
- Fast filling time
- Unique self-cleaning valve mechanism
- Fast and easy to install
- Installation sheet included
- Proven and reliable quality
- Consistent performance
- Brass shank G 3/8 x 43 mm

Properties - flush valve

- Dual flush valve with mechanical activation
- Full and partial flush option available
- Adjustable overflow height (215,9 – 342,9 mm)
- Cable length 550 mm for maximum flexibility
- Easily activated with dual flush button
- Possibility of installing the activation button in different positions of the cistern (top, front, side)
- For cistern button hole \varnothing 18 – 40 mm
- Adjustable for many ceramic cisterns
- "Twist & Release" action for simple maintenance
- Long lasting silicone seal
- Robust design
- Fast and easy to install
- Proven and reliable quality
- Consistent performance
- Outlet G 2



Technical drawing



Article number: K-400E-031-P10

EAN-Code: 8681282655731

Packing: 10 Pcs./carton





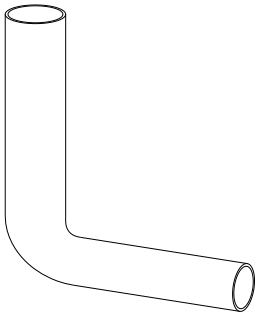
We offer a wide range of WC connecting elements suitable for different needs when equipping bathrooms and sanitary facilities. You can choose among flush pipes, WC connectors, WC discharge elbows and flexifons.

122 FLUSH PIPES

126 WC CONNECTORS

129 WC DISCHARGE ELBOWS

Elbow 230 x 210 mm



White
Article number: **8050110101**
EAN-Code: 8711778003101

Beige
Article number: **8050110103**
EAN-Code: 8711778002999

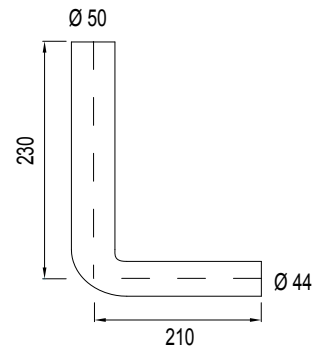
Manhattan
Article number: **8050110110**
EAN-Code: 8711778027428

Pergamon
Article number: **8050110114**
EAN-Code: 8711778028630

Properties

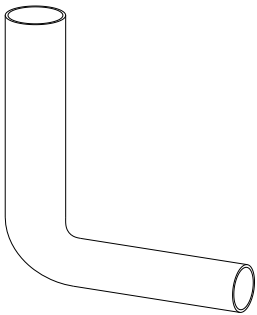
- Material: PS
- 90°
- Ø 50 x 44 mm

Technical drawing



WISA®

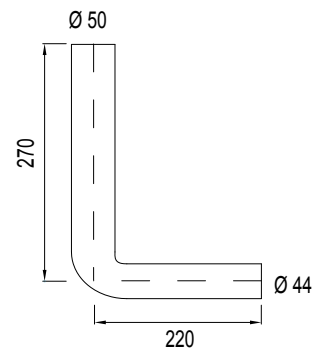
Elbow 270 x 220 mm



Properties

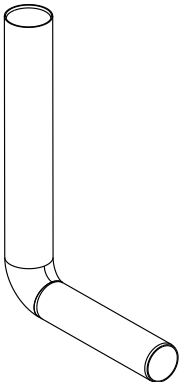
- Material: ABS
- 90°
- Ø 50 x 44 mm
- Color: white

Technical drawing



Article number: **607359**
EAN-Code: 3838912029720

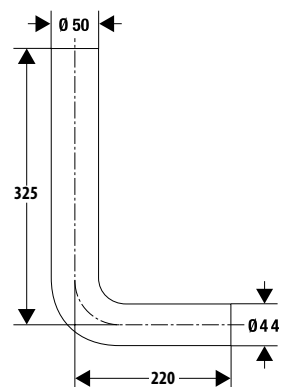
Elbow 325 x 220 mm



Properties

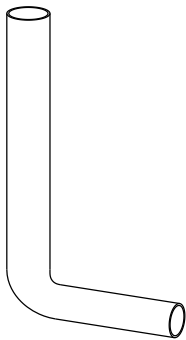
- For low installation of the exposed flushing cistern
- Ø 50/44 mm
- 325 x 220 mm

Technical drawing



Article number: **674830**
EAN-Code: 3838912063250

Elbow 380 x 210 mm



White
Article number: **1409111301**
EAN-Code: 8711778003569

Beige
Article number: **1409111303**
EAN-Code: 8711778003576

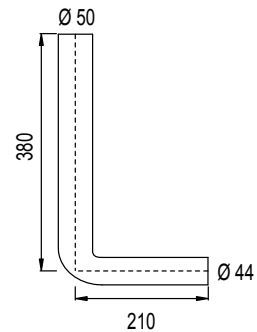
Manhattan
Article number: **1409111310**
EAN-Code: 8711778056572

Pergamon
Article number: **1409111314**
EAN-Code: 8711778056565

Properties

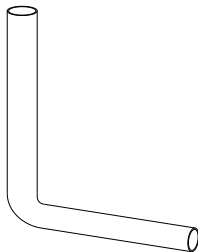
- Material: PVC
- 90°
- Ø 50 x 44 mm

Technical drawing



WISA®

Elbow 390 x 350 mm



White
Article number: **1409111601**
EAN-Code: 8711778003590

Beige
Article number: **1409111603**
EAN-Code: 8711778003606

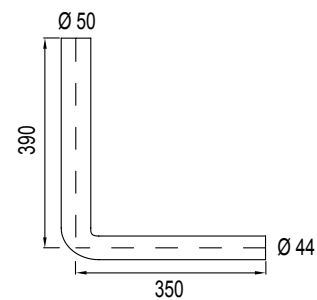
Manhattan
Article number: **1409111610**
EAN-Code: 8711778003620

Pergamon
Article number: **1409111614**
EAN-Code: 8711778034983

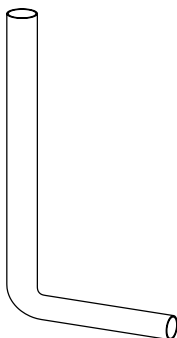
Properties

- Material: PVC
- 90°
- Ø 50 x 44 mm

Technical drawing



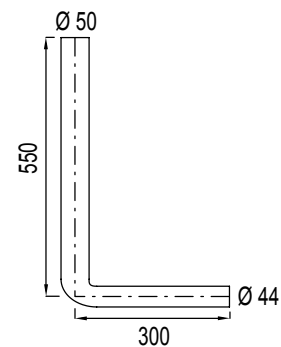
Elbow 550 x 300 mm



Properties

- Material: PVC
- 90°
- Ø 50 x 44 mm
- Color: white

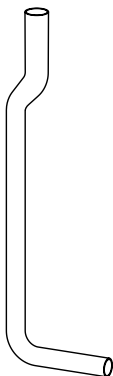
Technical drawing



WISA®

Article number: **1409111701**
EAN-Code: 8711778003873

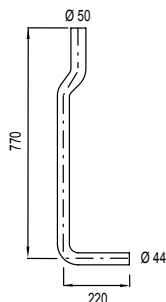
Elbow 770 x 220 mm



Properties

- Material: PVC
- Ø 50 x 44 mm
- Color: white

Technical drawing



WISA®

Article number: **1409111801**
EAN-Code: 8711778003484

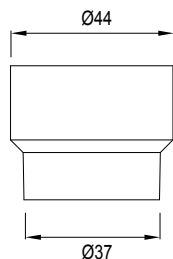
Flow reducer



Properties

- For regulating flushing flow
- Color: white

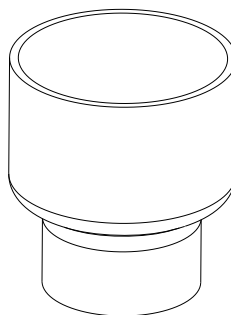
Technical drawing



WISA®

Article number: **8035882385**
EAN-Code: 8711778196285

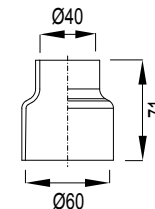
Flush pipe wrap-over connector seal n. 103



Properties

- External connector for WC with external flushing pipe connection
- Color: white

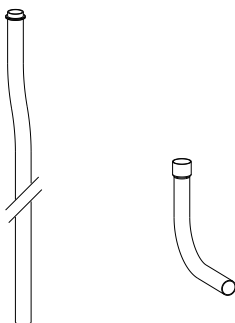
Technical drawing



WISA®

Article number: **1409985438**
EAN-Code: 8711778003125

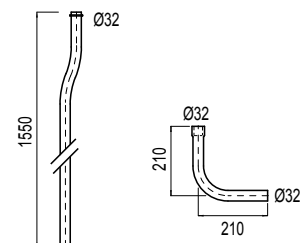
Set of flush pipe and flush pipe elbow



Properties

- Material: PVC
- Ø 32 mm
- Color: white

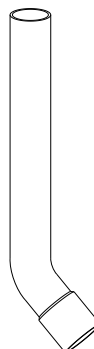
Technical drawing



WISA®

Article number: **1409111901**
EAN-Code: 8711778004078

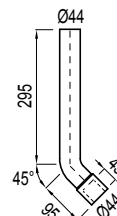
Elbow angle 45°



Properties

- Material: PVC
- Ø 44 mm
- Color: white

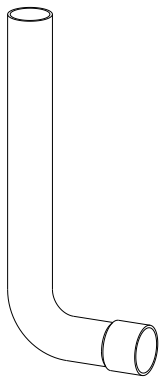
Technical drawing



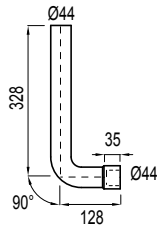
WISA®

Article number: **1409111501**
EAN-Code: 8711778003774

Elbow angle 90°

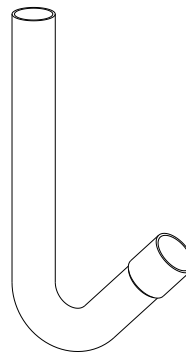
**Properties**

- Material: PVC
- Ø 44 mm
- Color: white

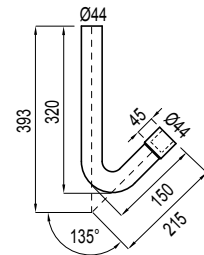
Technical drawing

Article number: **1409110701**
 EAN-Code: 8711778003811

Elbow angle 135°

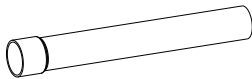
**Properties**

- Material: PVC
- Ø 44 mm
- Color: white

Technical drawing

Article number: **1409110901**
 EAN-Code: 8711778003835

Straight pipe 340 mm



White

Article number: **1409111101**
 EAN-Code: 8711778003903

Beige

Article number: **1409111103**
 EAN-Code: 8711778003910

Manhattan

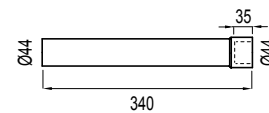
Article number: **1409111110**
 EAN-Code: 8711778003927

Pergamon

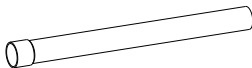
Article number: **1409111114**
 EAN-Code: 8711778035973

Properties

- Material: PVC
- Ø 44 mm

Technical drawing

Straight pipe 500 mm



White

Article number: **1409111201**
 EAN-Code: 8711778003934

Beige

Article number: **1409111203**
 EAN-Code: 8711778003941

Manhattan

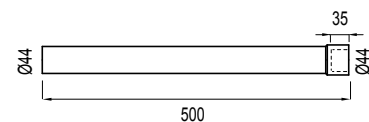
Article number: **1409111210**
 EAN-Code: 8711778056671

Pergamon

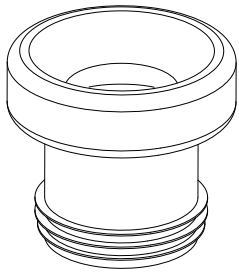
Article number: **1409111214**
 EAN-Code: 8711778069350

Properties

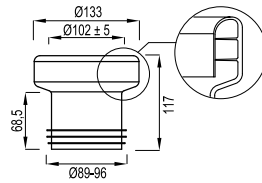
- Material: PVC
- Ø 44 mm

Technical drawing

Connector model no. 3A W

**Properties**

- Straight
- For pipe \varnothing 110 mm
- L=117 mm
- Color: white

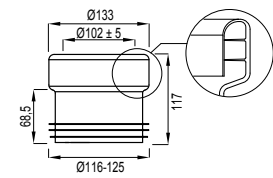
Technical drawing**WISA®**

Article number: **8040301003**
 EAN-Code: 8711778012462
 Packing: 60 Pcs./Carton

Connector model no. 4 W

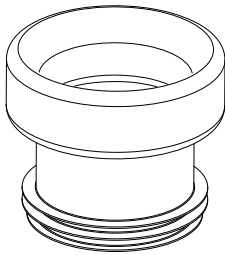
**Properties**

- Straight
- For pipe \varnothing 125 mm
- L=117 mm
- Color: white

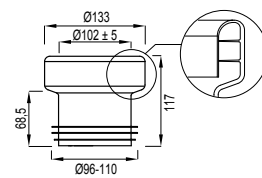
Technical drawing**WISA®**

Article number: **8040301004**
 EAN-Code: 8711778012479
 Packing: 60 Pcs./Carton

Connector model no. 6 W

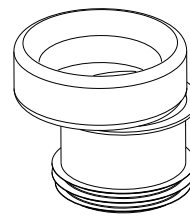
**Properties**

- Straight
- For pipe \varnothing 110 mm
- L=117 mm
- Color: white

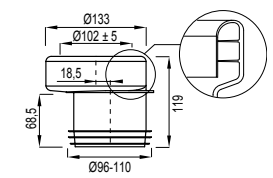
Technical drawing**WISA®**

Article number: **8040301006**
 EAN-Code: 8711778012486
 Packing: 60 Pcs./Carton

Connector model no. 7 W

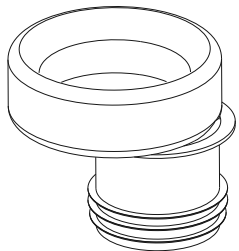
**Properties**

- Straight
- For pipe \varnothing 110 mm
- L=119 mm
- With 18.5 mm off-centre
- Color: white

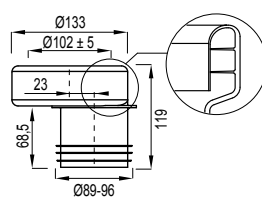
Technical drawing**WISA®**

Article number: **8040301007**
 EAN-Code: 8711778012493
 Packing: 60 Pcs./Carton

Connector model no. 8 W

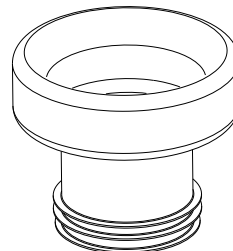
**Properties**

- For pipe \varnothing 110 mm
- L=119 mm
- With 23 mm off-centre
- Color: white

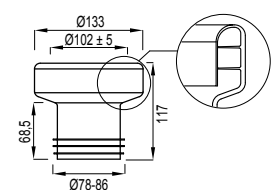
Technical drawing**WISA®**

Article number: **8040301008**
 EAN-Code: 8711778012509
 Packing: 60 Pcs./Carton

Connector model no. 3B W

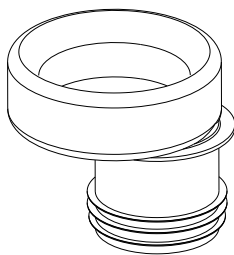
**Properties**

- Straight
- For pipe \varnothing 90 mm
- L=117 mm
- Color: white

Technical drawing**WISA®**

Article number: **8040305003**
 EAN-Code: 8711778025639
 Packing: 60 Pcs./Carton

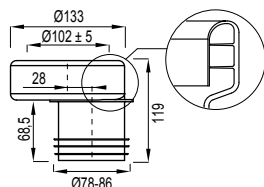
Connector model no. 8B W



Properties

- For pipe \varnothing 90 mm
- L=119 mm
- With 28 mm off-centre
- Color: white

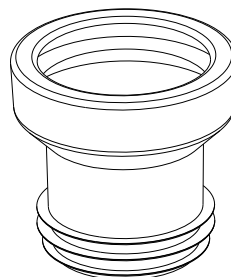
Technical drawing



WISA®

Article number: **8040305008**
 EAN-Code: 8711778025646
 Packing: 48 Pcs./Carton

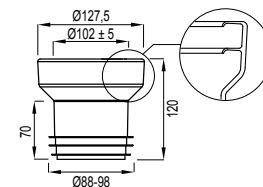
Connector model no. 2



Properties

- Straight
- For pipe \varnothing 100 mm
- L=120 mm
- Color: white

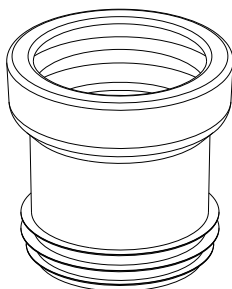
Technical drawing



WISA®

Article number: **7000120210**
 EAN-Code: 8711778047969
 Packing: 60 Pcs./Carton

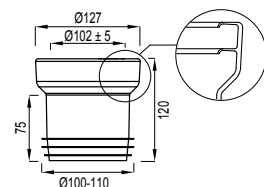
Connector model no. 3



Properties

- Straight
- For pipe \varnothing 110 mm
- L=120 mm

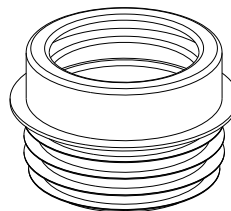
Technical drawing



WISA®

White
 Article number: **7000119920**
 EAN-Code: 8711778047907
 Packing: 60 Pcs./Carton

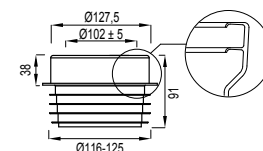
Connector model no. 4



Properties

- Straight
- For pipe \varnothing 125 mm
- L=91 mm
- Color: white

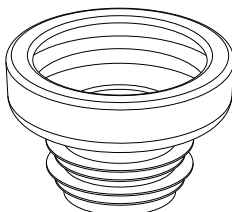
Technical drawing



WISA®

Article number: **7000120200**
 EAN-Code: 8711778047952
 Packing: 60 Pcs./Carton

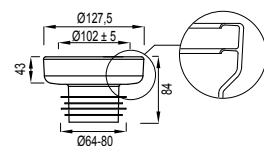
Connector model no. 5



Properties

- Straight
- L=84 mm
- Color: white

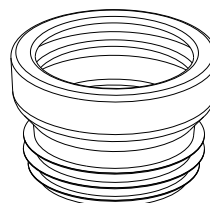
Technical drawing



WISA®

Article number: **7000121940**
 EAN-Code: 8711778047990
 Packing: 120 Pcs./Carton

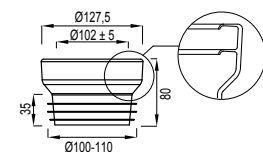
Connector model no. 6



Properties

- For pipe \varnothing 110 mm
- L=80 mm
- Extra low model
- Color: white

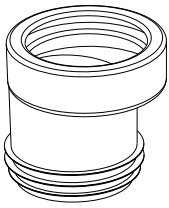
Technical drawing



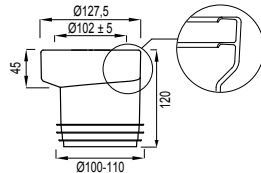
WISA®

Article number: **7000121580**
 EAN-Code: 8711778047983
 Packing: 90 Pcs./Carton

Connector model no. 7

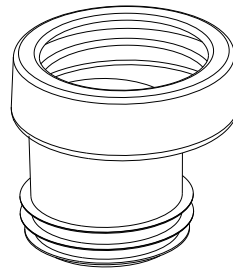
**Properties**

- For pipe Ø 110 mm
- L=120 mm
- With 20 mm off-centre
- Color: white

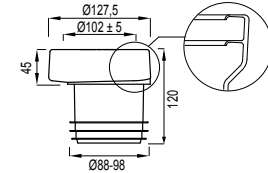
Technical drawing**WISA®**

Article number: **7000119910**
 EAN-Code: 8711778047884
 Packing: 60 Pcs./Carton

Connector model no. 8

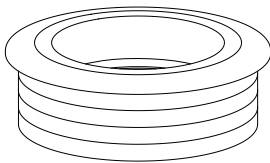
**Properties**

- For pipe Ø 100 mm
- L=120 mm
- With 20 mm off-centre
- Color: white

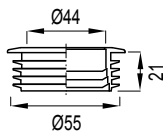
Technical drawing**WISA®**

Article number: **7000121080**
 EAN-Code: 8711778047976
 Packing: 60 Pcs./Carton

WC Flush pipe connector seal (cistern)

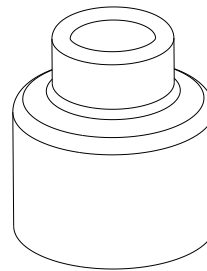
**Properties**

- Material: rubber
- Color: white

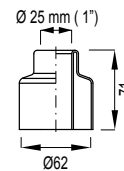
Technical drawing**WISA®**

Article number: **8050390093**
 EAN-Code: 8711778099463
 Packing: 5 Pcs.

WC flush pipe connector seal 1"

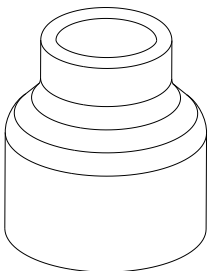
**Properties**

- Color: white

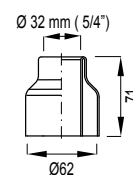
Technical drawing**WISA®**

Article number: **7240770500**
 EAN-Code: 8711778048577

WC flush pipe connector seal 5/4"

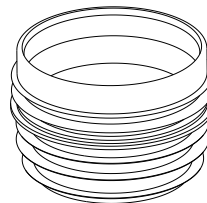
**Properties**

- Color: white

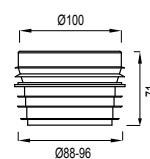
Technical drawing**WISA®**

Article number: **7240770510**
 EAN-Code: 8711778048584

Connector 302

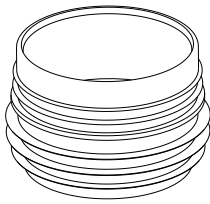
**Properties**

- For pipe Ø 100 mm
- L=71 mm
- Color: white

Technical drawing**WISA®**

Article number: **701120310**
 EAN-Code: 8711778048454
 Packing: 140 Pcs./Carton

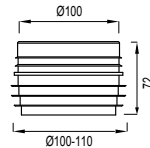
Connector 303



Properties

- For pipe \varnothing 100 mm / \varnothing 110 mm
- L=72 mm
- Color: white

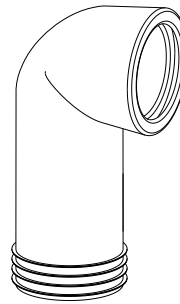
Technical drawing



WISA®

Article number: **7011120980**
 EAN-Code: 8711778048508
 Packing: 120 Pcs./Carton

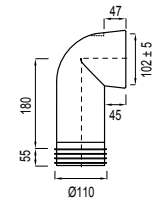
WC discharge elbow no. 301A



Properties

- Length 180 mm
- Socket connection 110 mm
- Color: white

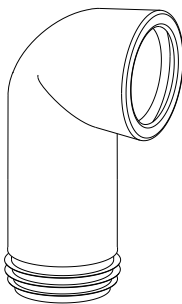
Technical drawing



WISA®

Article number: **7010120220**
 EAN-Code: 8711778048188
 Packing: 25 Pcs./Carton

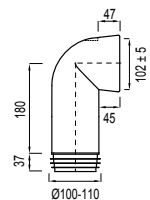
WC discharge elbow no. 303C



Properties

- Length 180 mm
- Pipe connection 110 mm
- Color: white

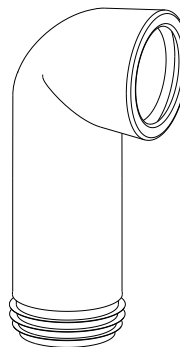
Technical drawing



WISA®

Article number: **7010121440**
 EAN-Code: 8711778048348
 Packing: 25 Pcs./Carton

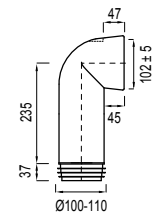
WC discharge elbow no. 303E



Properties

- Length 235 mm
- Pipe connection 110 mm
- Color: white

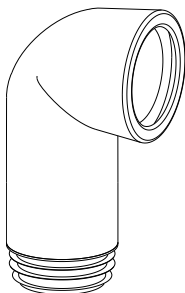
Technical drawing



WISA®

Article number: **7010121460**
 EAN-Code: 8711778048386
 Packing: 20 Pcs./Carton

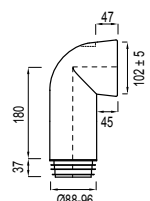
WC discharge elbow no. 302C



Properties

- Length 180 mm
- Pipe connection 98 mm
- Color: white

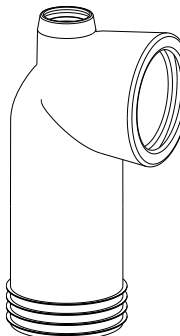
Technical drawing



WISA®

Article number: **7010121360**
 EAN-Code: 8711778048249
 Packing: 25 Pcs./Carton

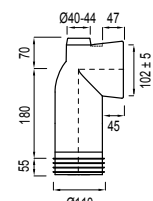
WC discharge elbow no. 301K



Properties

- Length 180 mm
- For socket 110 mm
- Elbow with extra branch-off 40 mm for fountain or vented trap
- Color: white

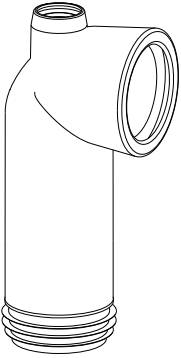
Technical drawing



WISA®

Article number: **7010120950**
 EAN-Code: 8711778048225
 Packing: 25 Pcs./Carton

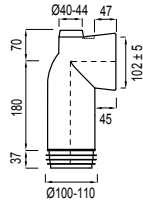
WC discharge elbow no. 303M



Properties

- Length 180 mm
- For pipe 110 mm
- Elbow with extra branch-off 40 mm for fountain or vented trap
- Color: white

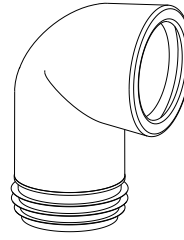
Technical drawing



WISA®

Article number: **7010121480**
 EAN-Code: 8711778048423
 Packing: 25 Pcs./Carton

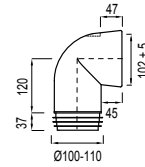
WC discharge elbow no. 303B



Properties

- Length 120 mm
- For pipe 110 mm
- Elbow with extra branch-off 40 mm for fountain or vented trap
- Color: white

Technical drawing



WISA®

Article number: **7010121430**
 EAN-Code: 8711778048324
 Packing: 30 Pcs./Carton

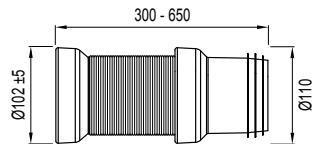
Flexifon tube



Properties

- Easy installation with flexible tube
- 2 connectors
- No glue
- Adjustable from 300 to 650 mm
- Reinforced with inner steel spiral construction
- For pipe 110 mm or 100 mm
- Color: white

Technical drawing



WISA®

Flexifon tube Ø 100 mm
 Article number: **1409986091**
 EAN-Code: 8711778119840
 Packing: 24 Pcs./Carton

Flexifon tube Ø 110 mm
 Article number: **1409986087**
 EAN-Code: 8711778108905
 Packing: 24 Pcs./Carton

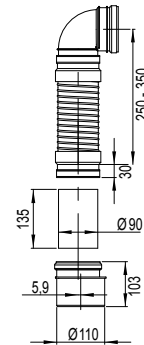
Flexifon built-in



Properties

- Flexible discharge elbow
- Universal for all built-in systems
- With reducer Ø 90 / 110 mm
- Color: black

Technical drawing



WISA®

Article number: **8050390086**
 EAN-Code: 8711778139220
 Packing: 15 Pcs./Carton

Linear shower drains are accessories for modern interior bathrooms, sauna and relaxation areas where the aesthetic and technical requirements dictate the choice of highly functional and adjustable products. Their main advantages are easy installation, maintenance and use of barrier-free areas.

135 SHOWER DRAINS, PLASTIC FRAME

137 SHOWER DRAINS, STAINLESS STEEL FRAME

139 SHOWER DRAINS TO THE WALL, STAINLESS STEEL FRAME

140 GRIDS

141 ACCESSORIES

A large crowd of white, stylized 3D human figures is shown from behind, filling the upper two-thirds of the page. In the center of the crowd, one figure is highlighted in a vibrant blue color, standing out from the rest. The background is a soft, light beige color.

SHOWER DRAINS - PERFECTION IN DETAILS

Linear shower drains are accessories for modern interior bathrooms, sauna and relaxation areas where the aesthetic and technical requirements dictate the choice of highly functional and adjustable products. Their main advantage is easy installation, maintenance and use of barrier-free areas.

ADVANTAGES OF LINEAR SHOWER DRAINS

- Modern design
- Damage resistance
- Low building height - 65 mm
- Height adjustable:
 - from 65 mm to 87 mm (for shower drains with the grid length 350, 450, 650, 750, 850 mm),
 - from 80 to 102 mm (for shower drains with the grid length 950 and 1050 mm)



- Flow rate upon new standard EN 1253-2:
 - 35 – 38 l/min (for shower drains with the grid length 350, 450, 650, 750, 850 mm),
 - 46 – 52 l/min (for shower drains with the grid length 950 and 1050 mm)
- Combined siphon: water level / dry flap
- Load capacity K3 (300 kg)
- 1.5 mm stainless steel grid in matt according DIN 1.4301
- Dimensional series 350, 450, 650, 750, 850, 950 and 1050 mm
- Easy disassembly for cleaning siphon
- Frame height 15 mm
- 7 different designs of grids (dimensions 950 and 1050 are available only in design STANDARD/CUSTOM)
- Height adjustment of the shower drain from above
- Supplied self-adhesive waterproofing tape



SHOWER DRAIN, PLASTIC FRAME



| Art. no. | L [mm] | L1 [mm] | L2 [mm] | Weight [kg/pcs.] | Packing [pallet/pcs] |
|----------|-----------|------------|------------|---------------------|-------------------------|
|----------|-----------|------------|------------|---------------------|-------------------------|

VIBE

| | | | | | |
|--------|-----|-----|-----|------|----------|
| 674710 | 350 | 415 | 295 | 1,10 | 1 / 280 |
| 674716 | 450 | 515 | 295 | 1,30 | 1 / 280 |
| 674722 | 650 | 715 | 595 | 1,80 | 1 / 1750 |
| 674728 | 750 | 815 | 695 | 1,90 | 1 / 150 |
| 674734 | 850 | 915 | 795 | 2,10 | 1 / 1500 |

ROUND

| | | | | | |
|--------|-----|-----|-----|------|---------|
| 674711 | 350 | 415 | 295 | 1,10 | 1 / 280 |
| 674717 | 450 | 515 | 295 | 1,30 | 1 / 280 |
| 674723 | 650 | 715 | 595 | 1,80 | 1 / 175 |
| 674729 | 750 | 815 | 695 | 1,90 | 1 / 150 |
| 674735 | 850 | 915 | 795 | 2,10 | 1 / 150 |

GALAXY

| | | | | | |
|--------|-----|-----|-----|------|---------|
| 674712 | 350 | 415 | 295 | 1,10 | 1 / 280 |
| 674718 | 450 | 515 | 295 | 1,30 | 1 / 280 |
| 674724 | 650 | 715 | 595 | 1,80 | 1 / 175 |
| 674730 | 750 | 815 | 695 | 1,90 | 1 / 150 |
| 674736 | 850 | 915 | 795 | 2,10 | 1 / 150 |

ENERGY

| | | | | | |
|--------|-----|-----|-----|------|---------|
| 674713 | 350 | 415 | 295 | 1,10 | 1 / 280 |
| 674719 | 450 | 515 | 295 | 1,30 | 1 / 280 |
| 674725 | 650 | 715 | 595 | 1,80 | 1 / 175 |
| 674731 | 750 | 815 | 695 | 1,90 | 1 / 150 |
| 674737 | 850 | 915 | 795 | 2,10 | 1 / 150 |

STANDARD / CUSTOM

| | | | | | |
|--------|-----|-----|-----|------|----------|
| 674714 | 350 | 415 | 295 | 1,10 | 1 / 280 |
| 674720 | 450 | 515 | 295 | 1,30 | 1 / 280 |
| 674726 | 650 | 715 | 595 | 1,80 | 1 / 1750 |
| 674732 | 750 | 815 | 695 | 1,90 | 1 / 150 |
| 674738 | 850 | 915 | 795 | 2,10 | 1 / 150 |

Installation type

- Floor installation

Properties

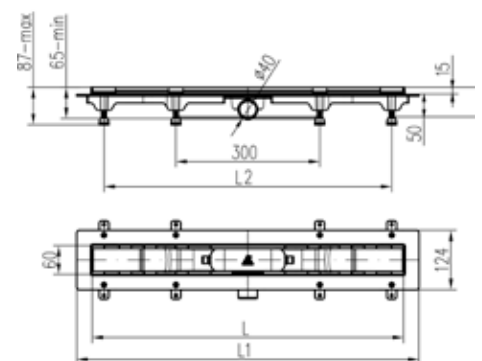
- Modern design
- Damage resistance
- Adjustable height: 65–87 mm
- Flow rate 35–38 l/min according to EN 1253-2
- Load capacity K3 (300 kg)
- Grid length: 350, 450, 650, 750, 850 mm
- Easy disassembly for cleaning siphon
- Frame height 15 mm
- 6 different designs of grids

Special features:

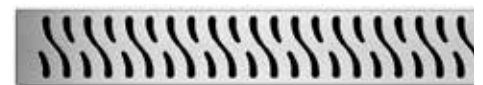
- Low building height: 65 mm
- Drain connection \varnothing 40 mm
- Combined siphon: water level / dry flap
- 1.5 mm stainless steel grid in matt finishing according DIN 1.4301

Product contains

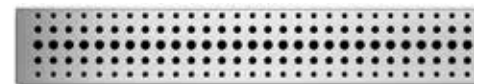
- All parts required for installation and fixing



VIBE



ROUND



GALAXY



ENERGY



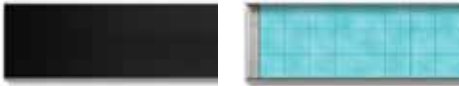
STANDARD / CUSTOM



SHOWER DRAIN, PLASTIC FRAME, GRID STANDARD / CUSTOM, BLACK



STANDARD / CUSTOM



| Art. no. | L [mm] | L1 [mm] | L2 [mm] | Weight [kg/pcs] | Packing [pallet/pcs] |
|--------------------------|-----------|------------|------------|--------------------|-------------------------|
| STANDARD / CUSTOM | | | | | |
| 675022 | 350 | 415 | 295 | 1,10 | 1 / 280 |
| 675023 | 450 | 515 | 295 | 1,30 | 1 / 280 |
| 675024 | 650 | 715 | 595 | 1,80 | 1 / 175 |
| 675025 | 750 | 815 | 695 | 1,90 | 1 / 150 |
| 675026 | 850 | 915 | 795 | 2,10 | 1 / 150 |

Installation type

- Floor installation

Properties

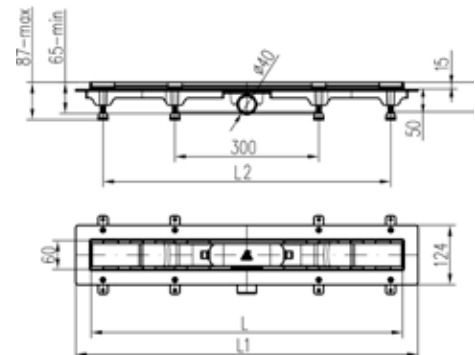
- Modern design
- Color: matt black
- Grid STANDARD/CUSTOM
- Damage resistance
- Adjustable height: 65–87 mm
- Flow rate 35–38 l/min according to EN 1253-2
- Load capacity K3 (300 kg)
- Grid length: 350, 450, 650, 750, 850 mm
- Easy disassembly for cleaning siphon
- Frame height 15 mm
- 6 different designs of grids

Special features:

- Low building height: 65 mm
- Drain connection \varnothing 40 mm
- Combined siphon: water level / dry flap
- 1.5 mm stainless steel grid in matt finishing according to DIN 1.4301

Product contains

- All parts required for installation and fixing



SHOWER DRAIN, STAINLESS STEEL FRAME



| Art. no. | L [mm] | L1 [mm] | L2 [mm] | Weight [kg/pcs] | Packing [pallet/pcs] |
|----------|-----------|------------|------------|--------------------|-------------------------|
|----------|-----------|------------|------------|--------------------|-------------------------|

VIBE

| | | | | | |
|--------|-----|-----|-----|------|---------|
| 674740 | 350 | 415 | 295 | 1,10 | 1 / 280 |
| 674746 | 450 | 515 | 295 | 1,30 | 1 / 280 |
| 674752 | 650 | 715 | 595 | 1,80 | 1 / 175 |
| 674758 | 750 | 815 | 695 | 1,90 | 1 / 150 |
| 674764 | 850 | 915 | 795 | 2,10 | 1 / 150 |

ROUND

| | | | | | |
|--------|-----|-----|-----|------|---------|
| 674741 | 350 | 415 | 295 | 1,10 | 1 / 280 |
| 674747 | 450 | 515 | 295 | 1,30 | 1 / 280 |
| 674753 | 650 | 715 | 595 | 1,80 | 1 / 175 |
| 674759 | 750 | 815 | 695 | 1,90 | 1 / 150 |
| 674765 | 850 | 915 | 795 | 2,10 | 1 / 150 |

GALAXY

| | | | | | |
|--------|-----|-----|-----|------|---------|
| 674742 | 350 | 415 | 295 | 1,10 | 1 / 280 |
| 674748 | 450 | 515 | 295 | 1,30 | 1 / 280 |
| 674754 | 650 | 715 | 595 | 1,80 | 1 / 175 |
| 674760 | 750 | 815 | 695 | 1,90 | 1 / 150 |
| 674766 | 850 | 915 | 795 | 2,10 | 1 / 150 |

ENERGY

| | | | | | |
|--------|-----|-----|-----|------|---------|
| 674743 | 350 | 415 | 295 | 1,10 | 1 / 280 |
| 674749 | 450 | 515 | 295 | 1,30 | 1 / 280 |
| 674755 | 650 | 715 | 595 | 1,80 | 1 / 175 |
| 674761 | 750 | 815 | 695 | 1,90 | 1 / 150 |
| 674767 | 850 | 915 | 795 | 2,10 | 1 / 150 |

FUSION

| | | | | | |
|--------|-----|-----|-----|------|---------|
| 675205 | 350 | 415 | 295 | 1,10 | 1 / 280 |
| 675206 | 450 | 515 | 295 | 1,30 | 1 / 280 |
| 675207 | 650 | 715 | 595 | 1,80 | 1 / 175 |
| 675208 | 750 | 815 | 695 | 1,90 | 1 / 150 |
| 675209 | 850 | 915 | 795 | 2,10 | 1 / 150 |

STANDARD / CUSTOM

| | | | | | |
|--------|-----|-----|-----|------|---------|
| 674744 | 350 | 415 | 295 | 1,10 | 1 / 280 |
| 674750 | 450 | 515 | 295 | 1,30 | 1 / 280 |
| 674756 | 650 | 715 | 595 | 1,80 | 1 / 175 |
| 674762 | 750 | 815 | 695 | 1,90 | 1 / 150 |
| 674768 | 850 | 915 | 795 | 2,10 | 1 / 150 |

Installation type

- Floor installation

Properties

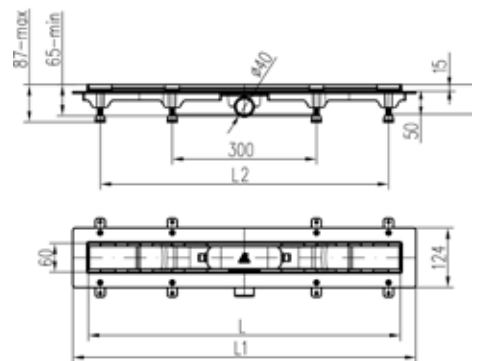
- Modern design
- Damage resistance
- Adjustable height: 65–87 mm
- Flow rate 35–38 l/min according to EN 1253-2
- Load capacity K3 (300 kg)
- Grid length: 350, 450, 650, 750, 850 mm
- Easy disassembly for cleaning siphon
- Frame height 15 mm
- 6 different designs of grids

Special features:

- Low building height: 65 mm
- Drain connection \varnothing 40 mm
- Combined siphon: water level / dry flap
- 1.5 mm stainless steel grid in matt finishing according DIN 1.4301

Product contains

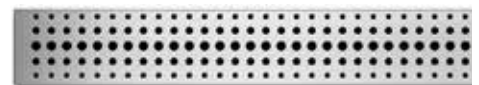
- All parts required for installation and fixing



VIBE



ROUND



GALAXY



ENERGY



FUSION



STANDARD / CUSTOM



SHOWER DRAIN, STAINLESS STEEL FRAME, GRID STANDARD / CUSTOM, Ø 50 mm



STANDARD / CUSTOM



| Art. no. | L [mm] | L1 [mm] | L2 [mm] | Weight [kg/pcs] | Packing [pallet/pcs] |
|--------------------------|-----------|------------|------------|--------------------|-------------------------|
| STANDARD / CUSTOM | | | | | |
| 674909 | 950 | 1014 | 800 | 2,42 | 1 / 100 |
| 674910 | 1050 | 1114 | 900 | 2,57 | 1 / 100 |

Installation type

- Floor installation

Properties

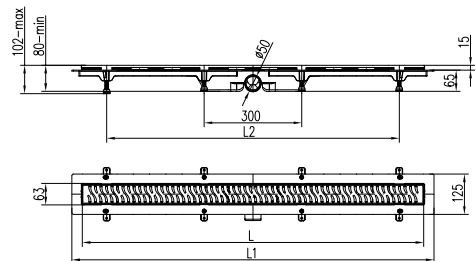
- Modern design
- Grid STANDARD/CUSTOM
- Damage resistance
- Adjustable height: 80–102 mm
- Flow rate 46–52 l/min according to EN 1253-2
- Load capacity K3 (300 kg)
- Grid length: 950, 1050 mm
- Easy disassembly for cleaning siphon
- Frame height 15 mm
- 2 different designs of grids

Special features:

- Low building height: 80 mm
- Drain connection Ø 50 mm
- Combined siphon: water level / dry flap
- 1.5 mm stainless steel grid in matt finishing according to DIN 1.4301

Product contains

- All parts required for installation and fixing



SHOWER DRAIN TO THE WALL, STAINLESS STEEL FRAME



| Art. no. | L [mm] | L1 [mm] | L2 [mm] | Weight [kg/pcs] | Packing [pallet/pcs] |
|----------|-----------|------------|------------|--------------------|-------------------------|
|----------|-----------|------------|------------|--------------------|-------------------------|

VIBE

| | | | | | |
|--------|-----|-----|-----|------|---------|
| 674770 | 350 | 415 | 295 | 1,10 | 1 / 280 |
| 674776 | 450 | 515 | 295 | 1,30 | 1 / 280 |
| 674782 | 650 | 715 | 595 | 1,80 | 1 / 175 |
| 674788 | 750 | 815 | 695 | 1,90 | 1 / 150 |
| 674794 | 850 | 915 | 795 | 2,10 | 1 / 150 |

ROUND

| | | | | | |
|--------|-----|-----|-----|------|---------|
| 674771 | 350 | 415 | 295 | 1,10 | 1 / 280 |
| 674777 | 450 | 515 | 295 | 1,30 | 1 / 280 |
| 674783 | 650 | 715 | 595 | 1,80 | 1 / 175 |
| 674789 | 750 | 815 | 695 | 1,90 | 1 / 150 |
| 674795 | 850 | 915 | 795 | 2,10 | 1 / 150 |

GALAXY

| | | | | | |
|--------|-----|-----|-----|------|---------|
| 674772 | 350 | 415 | 295 | 1,10 | 1 / 280 |
| 674778 | 450 | 515 | 295 | 1,30 | 1 / 280 |
| 674784 | 650 | 715 | 595 | 1,80 | 1 / 175 |
| 674790 | 750 | 815 | 695 | 1,90 | 1 / 150 |
| 674796 | 850 | 915 | 795 | 2,10 | 1 / 150 |

ENERGY

| | | | | | |
|--------|-----|-----|-----|------|---------|
| 674773 | 350 | 415 | 295 | 1,10 | 1 / 280 |
| 674779 | 450 | 515 | 295 | 1,30 | 1 / 280 |
| 674785 | 650 | 715 | 595 | 1,80 | 1 / 175 |
| 674791 | 750 | 815 | 695 | 1,90 | 1 / 150 |
| 674797 | 850 | 915 | 795 | 2,10 | 1 / 150 |

STANDARD / CUSTOM

| | | | | | |
|--------|-----|-----|-----|------|---------|
| 674774 | 350 | 415 | 295 | 1,10 | 1 / 280 |
| 674780 | 450 | 515 | 295 | 1,30 | 1 / 280 |
| 674786 | 650 | 715 | 595 | 1,80 | 1 / 175 |
| 674792 | 750 | 815 | 695 | 1,90 | 1 / 150 |
| 674798 | 850 | 915 | 795 | 2,10 | 1 / 150 |

Installation type

- Floor installation

Properties

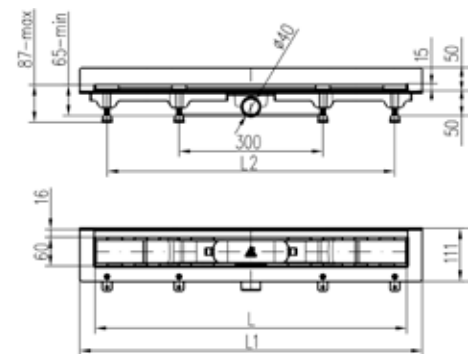
- Modern design
- Damage resistance
- Adjustable height: 65–87 mm
- Flow rate 35–38 l/min according to EN 1253-2
- Load capacity K3 (300 kg)
- Grid length: 350, 450, 650, 750, 850 mm
- Easy disassembly for cleaning siphon
- Frame height 15 mm
- 6 different designs of grids

Special features:

- Low building height: 65 mm
- Drain connection \varnothing 40 mm
- Combined siphon: water level / dry flap
- 1.5 mm stainless steel grid in matt finishing according DIN 1.4301

Product contains

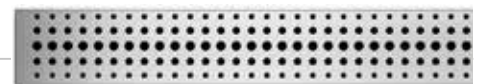
- All parts required for installation and fixing



VIBE



ROUND



GALAXY



ENERGY



STANDARD / CUSTOM



GRIDS

| ARTICLE NUMBER | EAN CODE | DESCRIPTION |
|------------------------------------|---------------|--------------------------------------|
| VIBE | | |
| 675010 | 3838912063885 | Grid VIBE 350 |
| 675011 | 3838912063892 | Grid VIBE 450 |
| 675012 | 3838912063908 | Grid VIBE 650 |
| 675013 | 3838912063915 | Grid VIBE 750 |
| 675014 | 3838912063922 | Grid VIBE 850 |
| ROUND | | |
| 675000 | 3838912063786 | Grid ROUND 350 |
| 675001 | 3838912063793 | Grid ROUND 450 |
| 675002 | 3838912063809 | Grid ROUND 650 |
| 675003 | 3838912063816 | Grid ROUND 750 |
| 675004 | 3838912063823 | Grid ROUND 850 |
| GALAXY | | |
| 674995 | 3838912063731 | Grid GALAXY 350 |
| 674996 | 3838912063748 | Grid GALAXY 450 |
| 674997 | 3838912063755 | Grid GALAXY 650 |
| 674998 | 3838912063762 | Grid GALAXY 750 |
| 674999 | 3838912063779 | Grid GALAXY 850 |
| ENERGY | | |
| 674990 | 3838912063687 | Grid ENERGY 350 |
| 674991 | 3838912063694 | Grid ENERGY 450 |
| 674992 | 3838912063700 | Grid ENERGY 650 |
| 674993 | 3838912063717 | Grid ENERGY 750 |
| 674994 | 3838912063724 | Grid ENERGY 850 |
| FUSION | | |
| 675155 | 3838912064868 | Grid FUSION 350 |
| 675156 | 3838912064875 | Grid FUSION 450 |
| 675157 | 3838912064882 | Grid FUSION 650 |
| 675158 | 3838912064899 | Grid FUSION 750 |
| 675159 | 3838912064905 | Grid FUSION 850 |
| STANDARD/CUSTOM | | |
| 675005 | 3838912063830 | Grid STANDARD/CUSTOM 350 |
| 675006 | 3838912063847 | Grid STANDARD/CUSTOM 450 |
| 675007 | 3838912063854 | Grid STANDARD/CUSTOM 650 |
| 675008 | 3838912063861 | Grid STANDARD/CUSTOM 750 |
| 675009 | 3838912063878 | Grid STANDARD/CUSTOM 850 |
| STANDARD/CUSTOM, matt black | | |
| 675160 | 3838912064615 | Grid STANDARD/CUSTOM 350, matt black |
| 675161 | 3838912064622 | Grid STANDARD/CUSTOM 450, matt black |
| 675162 | 3838912064639 | Grid STANDARD/CUSTOM 650, matt black |
| 675163 | 3838912064646 | Grid STANDARD/CUSTOM 750, matt black |
| 675164 | 3838912064653 | Grid STANDARD/CUSTOM 850, matt black |

REDUCTION Ø 40/50 mm**Installation method**

- To connect linear shower drain (Ø 40 mm) and drain pipe (Ø 50 mm)

Article number: **674918**
EAN-Code: 3838912063410

INSULATION FOIL 80 X 1000 mm**Installation method**

- For linear shower drain

Characteristics

- Waterproof foil 80 x 1000 mm

Article number: **675015**
EAN-Code: 3838912063939

SHOWER DRAIN TRAP COVER**Installation method**

- For linear shower drain

Characteristics

- Enables simple trap cleaning

Article number: **675016**
EAN-Code: 3838912063946

FLAP**Installation method**

- Prevents the spread of unpleasant odors if the trap dries out

Characteristics

- Non return flap

Article number: **675018**
EAN-Code: 3838912063410

ADJUSTABLE LEG, 47 mm**Installation method**

- Adjustable leg for linear shower drain
- For linear shower drain installation height 65 - 87 mm
- For linear shower drain with drain pipe Ø 40 mm

Characteristics

- Height: 47 mm

Article number: **675019**
EAN-Code: 3838912063977

ADJUSTABLE LEG, 62 mm**Installation method**

- Adjustable leg for linear shower drain
- For linear shower drain installation height 80 - 102 mm
- For linear shower drain with drain pipe Ø 50 mm

Characteristics

- Height: 62 mm

Article number: **675020**
EAN-Code: 3838912063984

STRAINER FOR SHOWER DRAINS, Ø 40 mm**Installation method**

- Strainer prevents dirt from entering the shower drain trap
- Suitable for shower drains with Ø 40 mm drain pipe

Characteristics

- Colour: grey

Article number: **675165**
 EAN-Code: 3838912064660

675166 STRAINER FOR SHOWER DRAINS, Ø 50 mm**Installation method**

- Strainer prevents dirt from entering the shower drain trap
- Suitable for shower drains with Ø 50 mm drain pipe

Characteristics

- Colour: grey

Article number: **675166**
 EAN-Code: 3838912064677

STRAINER FOR SHOWER DRAINS, Ø 40 mm, black**Installation method**

- Strainer prevents dirt from entering the shower drain trap
- Suitable for shower drains with Ø 50 mm drain pipe

Characteristics

- Colour: black

Article number: **675167**
 EAN-Code: 3838912064684

GRID SUPPORT**Installation method**

- For grid stabilization in the shower drain
- For grids VIBE, ROUND, GALAXY, ENERGY, FUSION

Characteristics

- Colour: grey

Article number: **675172**
 EAN-Code: 3838912064738

GRID SUPPORT**Installation method**

- For grid stabilization in the shower drain
- For grids STANDARD/CUSTOM

Characteristics

- Colour: grey

Article number: **675173**
 EAN-Code: 3838912064745

GRID SUPPORT**Installation method**

- For grid stabilization in the shower drain
- For grids STANDARD/CUSTOM

Characteristics

- Colour: black

Article number: **675174**
 EAN-Code: 3838912064752



On the following pages you will find our spare parts, clearly arranged in the explosion drawings of various products. All spare parts can be ordered through the trade wholesaler.

Original spare parts for cisterns:

- 25 years spare parts warranty for flush-mounted flushing cisterns
- 25 years spare parts warranty for surface-mounted flushing cisterns

145 SPARE PARTS

151 SPARE PARTS FOR CONCEALED FLUSHING CISTERNS

177 SPARE PARTS FOR EXPOSED FLUSHING CISTERNS

EXPLODED VIEWS AND SPARE PARTS

| UP CONCEALED CISTERNS | EXPOSED WC CISTERNS |
|----------------------------------|--|
| 380 / XS | AP100 |
| 189 (189.0400) | AP102 |
| 399 | AP120 |
| 199 | AP122 |
| 387 / XT | AP160 |
| 182.0400 | AP170 |
| 198 (198.0400) | AP220 / WISA 500 |
| 198 PNEU | AP230 / WISA 336 DF |
| 187 (187.1200) | AP260 / WISA 470 |
| | AP270 / WISA 1000 |
| 81.000/84.100/80.000 | AP410 |
| 80.000 | AP412 |
| 180.XXX | AP240 / WISA 444 (FROM SEPTEMBER 1999) |
| 183.XXX | AP164 PNEUMATIC (164.1701 / 64.090) |
| 184.XXX | AP122 MONOBLOCK |
| 185.XXX | AP210 / WISA 285 |
| 186.0400 | AP134 CH (134.1401) |
| 188.0400 | |
| 190.XXX | AP 152.21XX |
| 192.0400 | AP 150.23XX (50.300)/150.21XX (50.303) |
| | AP 155.23XX (55.300)/155.21XX (55.303) |
| WISA 2000 (UNTIL1996) | AP 150.1901 (50.000) |
| WISA 2002 (UNTIL1996) | |
| WISA QUADRO | WISA 250 |
| WISA 2100 TOP | WISA 300 |
| WISA 2136 (DUALFLUSHING) | WISA 350 UC |
| WISA 2100 (START-STOP FLUSHING)) | WISA 900 |
| | WISA 450 |
| | WISA 600 |
| | WISA 750 |
| | WISA 790 |
| | WISA 800 (UNTIL1999) |
| | WISA 800/800 DF (FROM 1999) |
| | WISA 870 |
| | WISA 1036 DF |
| | WISA 1170 |
| | WISA 1250 |
| | |
| | WISA UNIVERSAL FILLING VALVE |

Fill valve HVK



Properties

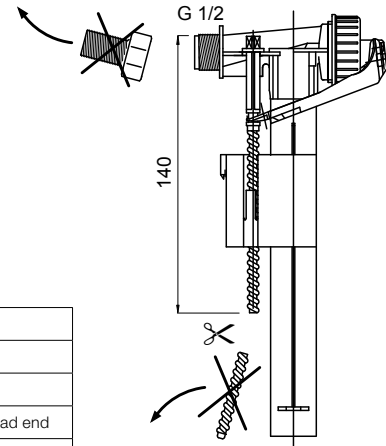
- Hydraulic fill valve
- Short filling time: 6 liters in 46 sec at 0,3 MPa
- Quiet filling: 13 dB (A), Classe 1
- Telescopic tube
- 3/8" or 1/2" side entry
- Can be used in all cisterns with side entry
- Supplied with accessories / fittings to your demands
- Without threaded rod suitable for all Sphinx / Novobocho / Warneton close coupled cisterns
- Without thread end suitable for all 380 / XS and 387 / XT concealed systems
- Without thread end and shortened black thread end suitable for all other WISA concealed systems

| Article number | EAN-Code | Description |
|----------------|---------------|--|
| 4060432572 * | 8711778212701 | Hydraulic fill valve 3/8" |
| 8035432571 * | 8711778106437 | Hydraulic fill valve 1/2 |
| 8035432605 | 8711778150829 | Hydraulic fill valve 3/8" plastic thread end |
| 8035432606 | 8711778150836 | Hydraulic fill valve 1/2" plastic thread end |

Packing: 36 Pcs./Carton

* KIWA, LGA, DIN, DVGW and NF approved

Technical drawing



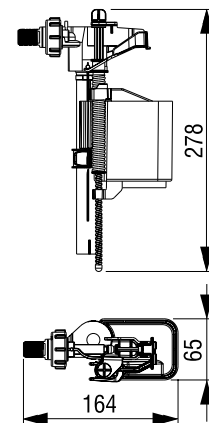
Fill valve HDV



Properties

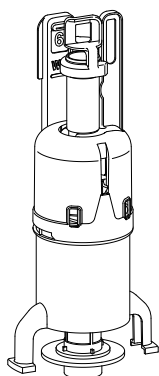
- Mechanical fill valve
- Short filling time: 6 liters in 38 sec at 0,3 MPa
- Quiet filling: 22 dB(A), Classe 2
- 3/8" side entry
- Can be used in all cisterns with side entry
- DVGW and NF approved
- Supplied with accessories
- Suitable for 189 UP, 198 UP, 182 UP, 187 UP concealed systems (under certain conditions, check products exploded views)

Technical drawing



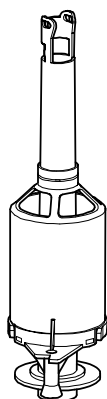
Article number: **628458**
 EAN-Code: 3838912038012
 Packing: 10 Pcs./Carton

Flush valve dual flush 3/6 liter



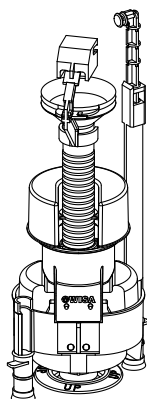
| EAN-Code | Article number | Description |
|---------------|----------------|---|
| 8711778218505 | 8050801525FM | Flush valve for WISA XS/XT, SCHWAB 380 / 387 |
| 8711778178533 | 8050801522 | Flush valve DFF for WISA XS/XT, SCHWAB 380 / 387 (for article numbers: 8050404111, 8050404410, 4060404111, 4050404410) |
| 8711778174504 | 8050801527 | Flush valve for WISA XS 4/2 L, SCHWAB 380 4/2 L |
| 8711778164833 | 1411988440 | FLush valve rubber 65 mm, hole 28.5, black |

Flush valve for cisterns with single flush



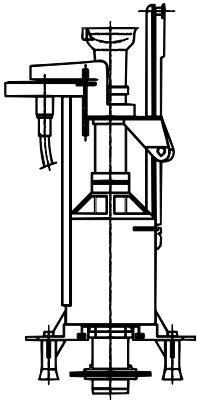
| EAN-Code | Article number | Description |
|---------------|----------------|---|
| 8711778017108 | 8050800500 | Flush valve for WISA 350/295/770, SCHWAB 210 / 240 |
| 8711778017146 | 8050800504 | Flush valve for WISA 570/670/790/870, SCHWAB 220 |
| 8711778017160 | 8050800507 | Flush valve for WISA 600/1070/1170, SCHWAB 270 |
| 8711778042926 | 8035820147 | Flush valve for WISA 800 |
| 8711778017153 | 8050800506 | Flush valve for WISA 2000/2002 |
| 8711778038837 | 8050800511 | Flush valve for WISA 2100 UP |
| 8711778046665 | 8050800512 | Flush valve for WISA 2140/2940 |
| 8711778095670 | 8050800527 | Flush valve for WISA 470, SCHWAB 260 |
| 8711778052680 | 8050800514 | Flush valve for WISA 1040 |
| 8711778164833 | 1411988440 | Flush valve rubber 65 mm, hole 28,5, black |
| 8711778164857 | 1411988436 | Flush valve rubber till July 87, 65 mm, hole 23.5 mm, old version |

Flush valve dual flush 3/6 liter



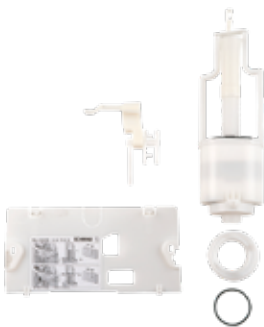
| EAN-Code | Article number | Umschreibung |
|---------------|----------------|--|
| 8711778221628 | 8050800201 | Conversion set WISA 1036 wit |
| 8711778066373 | 8050801523 | Flush valve for WISA 2136 DF and Quadro |
| 8711778117945 | 8035390111 | Rubber seal for WISA DF valves |
| 8711778072183 | 8050801504 | Flush valve for WISA 800 DF |
| 8711778054165 | 8050421408 | Conversion kit WISA 2100 - 2136 DF, without flushing plate |
| 8711778221598 | 8050800101 | Conversion set WISA 336 white |

Pneumatic flush valve



| EAN-Code | Article number | Description |
|---------------|----------------|--|
| 8711778070417 | 8050800525 | Pneumatic flush valve for WISA 2100 UP, incl. Hose |
| 8711778105799 | 8050800529 | Pneumatic flush valve for WISA 470, incl. Hose |
| 8711778164833 | 1411988440 | Flush valve rubber 65 mm, hole 28,5, black |
| 8711778107922 | 1418988432 | Membrane |

Conversion kit dual flushing



Properties

- For model 180.000 from year 1996

Special features

- Not suitable for model 80.000 and 180.000/N

Flushing plate needs to be ordered separately



VIVA

White
Article number: **227556**
EAN-Code: 3838912030009

Matchrom
Article number: **227602**
EAN-Code: 3838912034311

Article number: **361871**
EAN-Code: 3838912036926

Conversion kit pneumatical remote control



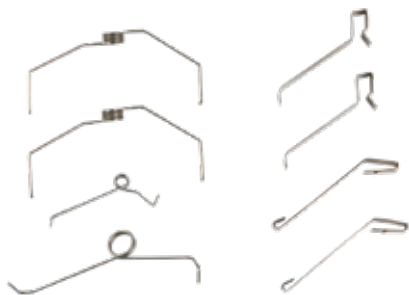
Properties

- For concealed cistern 180.XXX and UP 182

Cover plate and remote control need to be ordered separately

Article number: **363788**
EAN-Code: 4016817024937

Replacement springs for flushing plates



Article number: **361658**

EAN-Code: 3838912033611

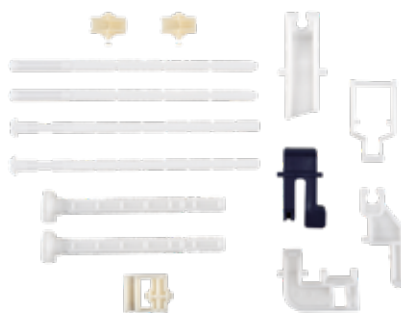
Replacement springs for Gala, Viva, Riva, Riva Duo, Targa, Onda, Line, Riva Mini, Riva Duo Mini, Point, Point Duo

Article number: **323303**

EAN-Code: 3838912033628

Replacement springs for Circle, Caro, Dots, Dots Duo, Ovate, Ovate Duo, Genera, Futura, Dura, Vivo

Replacement accessories



Article number: **228582**

EAN-Code: 3838912033529

Replacement accessories for Gala, Viva, Riva, Riva Duo, Targa, Onda, Line, Riva Mini, Riva Duo Mini, Point, Point Duo

Article number: **323299**

EAN-Code: 3838912033604

Replacement accessories for Circle, Caro, Dots, Dots Duo, Ovate, Ovate Duo, Genera, Futura, Dura, Vivo

Extension kit for flushing plates



Properties

- For constructions over 90–180 mm
- For Gala, Viva, Riva, Riva Duo, Targa, Onda, Line, Riva Mini, Riva Duo Mini, Tecta

Product contains

- Extended mounting screws and pestle

Extension kit for flushing plates



Properties

- For constructions over 80–150 mm
- For Caro, Circle, Dots, Ovate, Genera, Futura, Vivo, Dura

Product contains

- Extended mounting screws and pestle

Article number: **363978**

EAN-Code: 3838912032126

Article number: **665728**

EAN-Code: 3838912043603

Set fixation pins 199



Article number: **GR-S189**

EAN-Code: 8681282606955

Gasket kit for push set



Product contains

- Cup seal for concealed push button hand switch 363822

Article number: **363806**
EAN-Code: 4016817026047

Push set



Product contains

- Housing for
- Article number: 392030
- Article number: 364320
- Article number: 364287
- Article number: 392031

Article number: **363822**
EAN-Code: 4016817026412

Gasket kit for filling valve 243292



Product contains

- 5 O-rings
- 5 cylindrical seals

Article number: **364321**
EAN-Code: 3838912033512

Seal 90/100



Properties

- For waste water connection bend DN 90

Article number: **366290**
EAN-Code: 3838912037428

Collar sets



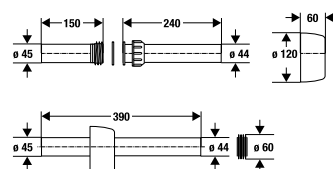
Installation method

- For connection of floor WC to concealed flushing cisterns

Product contains

- Collar set (white)
- Seal

Technical drawing



Article number: **362028** *
EAN-Code: 3838912033505

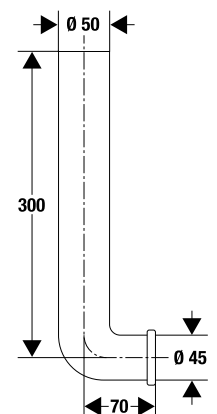
Flush pipe elbow



Product contains

- Rubber lip seal

Technical drawing



Article number: **382059**
EAN-Code: 3838912033710

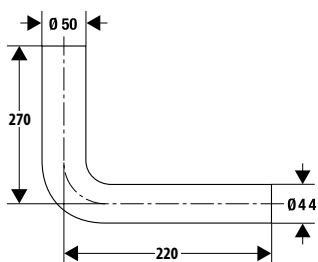
Flush pipe elbow



Product contains

- Rubber lip seal

Technical drawing



Article number: **607359**
EAN-Code: 3838912029720

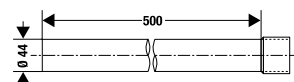
Flush pipe elbow extension



Properties

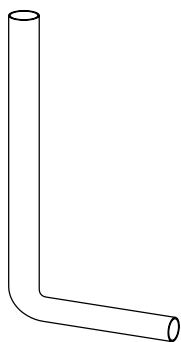
- With moulded pipe collar

Technical drawing



Article number: **1409111201**
EAN-Code: 8711778003934

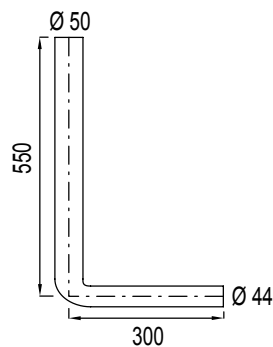
Elbow 550 x 300 mm



Properties

- Material: PVC
- 90°
- Ø 50 x 44 mm
- Color: white

Technical drawing



WISA

Article number: **1409111701**
EAN-Code: 8711778003873

Cover plate



Installation method

- For installation on concealed flushing cisterns with servo-mechanical remote control

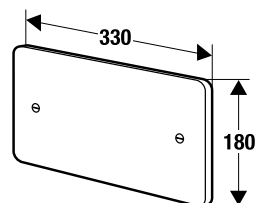
Properties

- Material: chrome-nickel-steel
- For covering the flushing cistern access opening
- For cistern UP 184

Product contains

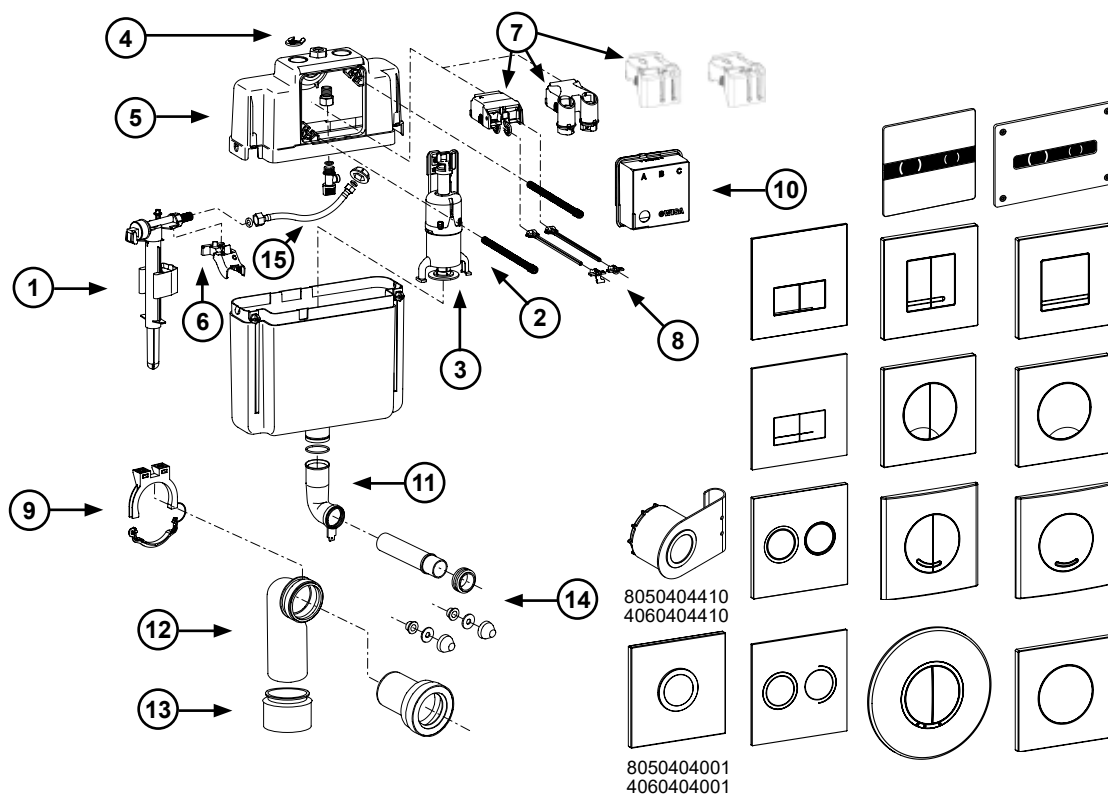
- Complete fixing materials and accessories

Technical drawing



Article number: **363758**
EAN-Code: 4016817023831

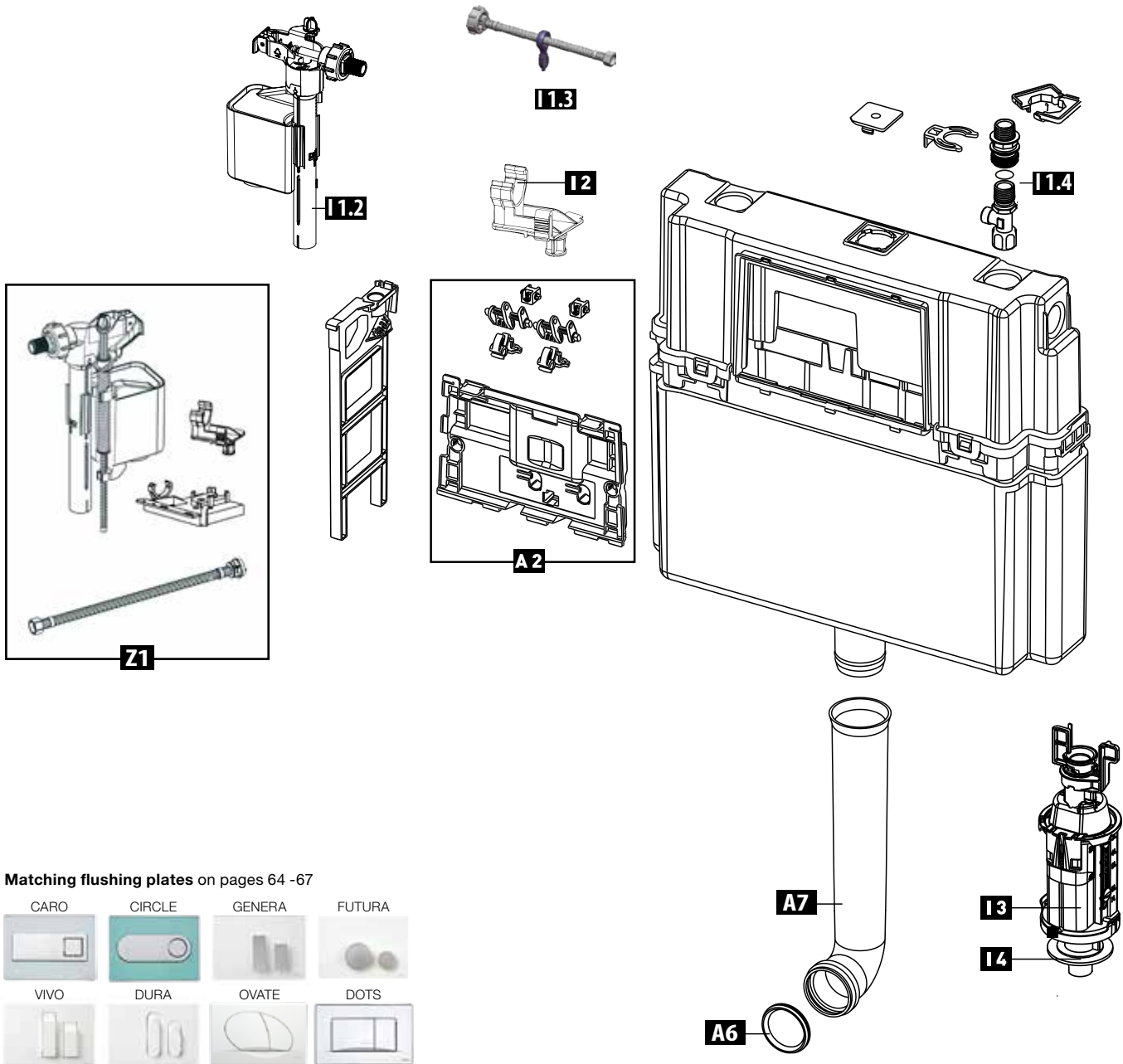
380 / XS



| Pos. | WISA Art. nr. | Description |
|------|---------------|---|
| 1 | 8035432795 | Fill valve HVK G 3/8 |
| 2 | 8050801525FM | Flush valve including rubber seal |
| | 8050801522 | Flush valve DFF (in combination with art.nr. 8050404111, 8050404410, 4060404111, 4060404410) |
| | 8050801527 | Flush valve 4/2 L |
| 3 | 1411988440 | Flush valve rubber seal 28 x 65 x 3 |
| 4 | 8050887175 | Grip nut |
| 5 | 8050887113 | Cistern lid |
| 6 | 8050887079 | Bridging piece for float valve |
| 7 | 8050390034 | Clamp with control hooks, mechanical |
| | 8050390032 | Clamp with control hooks, pneumatic |
| | 8050390052 | Clamp DFF with control hooks (in combination with art.nr. 8050404111, 8050404410, 4060404111, 4060404410) |
| | 8050390051 | Clamp SF with control hooks (in combination with art.nr. 8050404001, 4060404001) |
| | 8050897009 | Clamp with control hooks, electronic |
| 8 | 8050390108 | Set of fixation pins and control pins for FI panels |
| | 8050390109 | Set of fixation pins and control pins for DF panels |
| 9 | 8050887097 | Discharge elbow fixation bracket |
| 10 | 8050887145 | Masonry aid front |
| 11 | 8050887355 | Flush pipe with tongue |
| | 8050390061 | Set rubber seals for flush pipe and discharge elbow 90 mm |
| 12 | 8050390090 | Discharge elbow PE 90 x 90 mm |
| 13 | 8050390091 | Adaptor 90 x 110 mm |
| 14 | 8050390080 | WC connection kit L=230 mm |
| | 8050390081 | WC connection kit L=300 mm |
| 15 | 8050802329 | Water connection flexible hose |
| | 8050802325 | Water connection flexible hose Eurocone inside |
| | 8050802326 | Water connection flexible hose 1/2" inside |

189

since 2010, for dual flushing or start-stop flushing

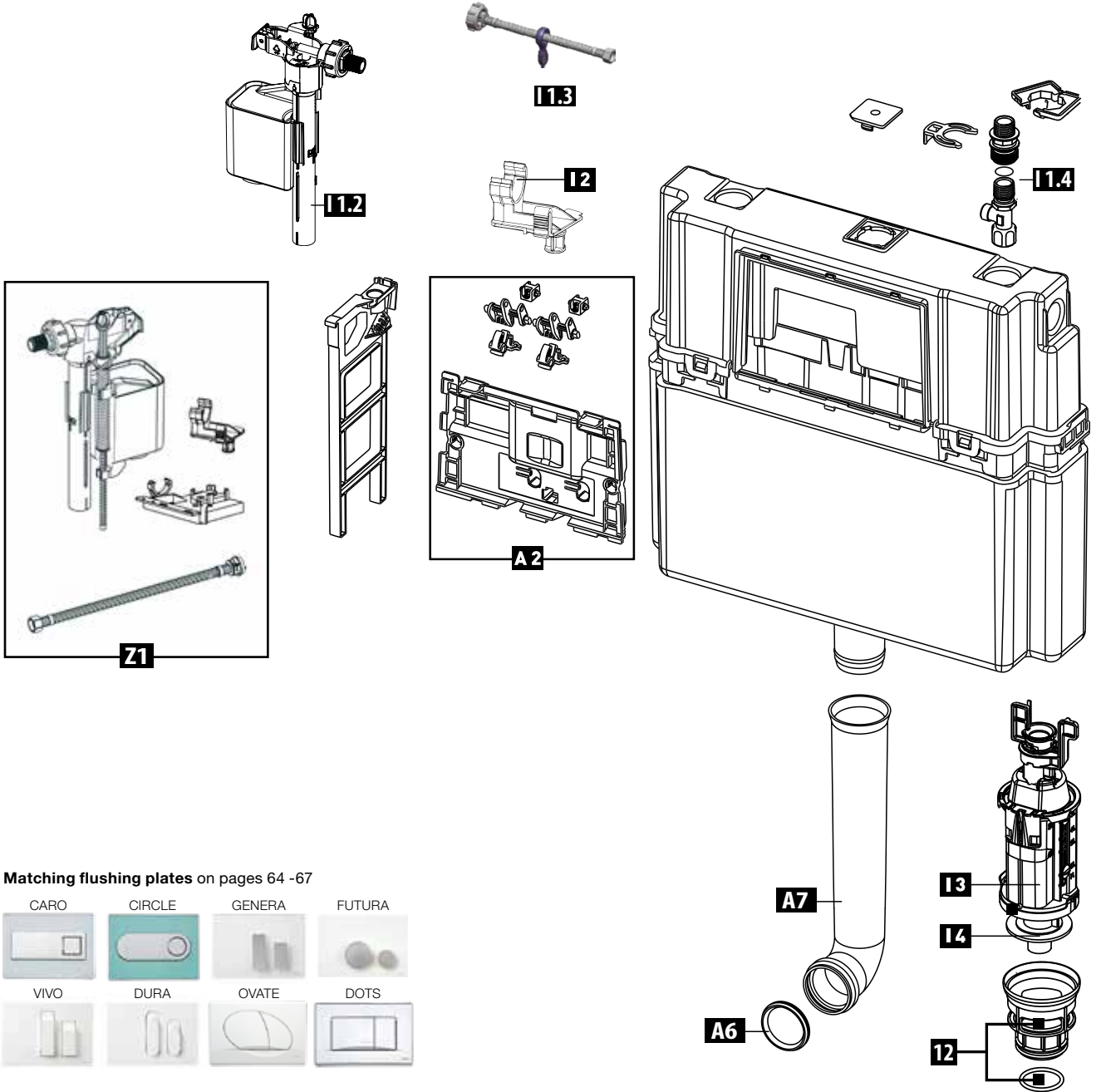


| Pos. | Art. nr. | EAN-Code | Description | Details |
|-------|----------|---------------|---|----------------------|
| A 2 | 354264 | 3838912032409 | Cover plate | with setting levers |
| A 6 | 352277 | 3838912032522 | Rubber lip seal | for flush pipe elbow |
| A 7 | 382059 | 3838912033710 | Flush pipe elbow without att., L=300 mm | |
| I 1.2 | 628458 | 3838912038012 | Fill valve HDV G 3/8 from 02/2014 | |
| I 1.3 | 628459 | 3838912038104 | Connecting tube from 02/2014 | without angle valve |
| I 1.4 | 674879 | 3838912063267 | Stop valve 1/2" - 3/8" | |
| I 2 | 358719 | 3838912032423 | Flush valve holder | |
| I 3 | 358717 | 3838912032508 | Flush valve | complete with seal |
| I 4 | 243275 | 3838912033918 | Flush valve gasket | |
| Z 1 | 675100 | 3838912064486 | Set fill valve 182, 188, 180, 189 | |

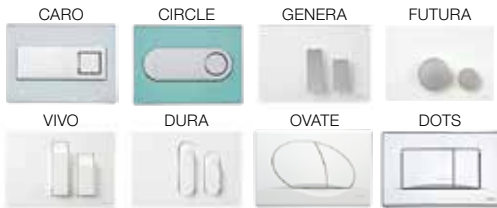
* Product available on request

189A

since 2021, for dual flushing or start-stop flushing



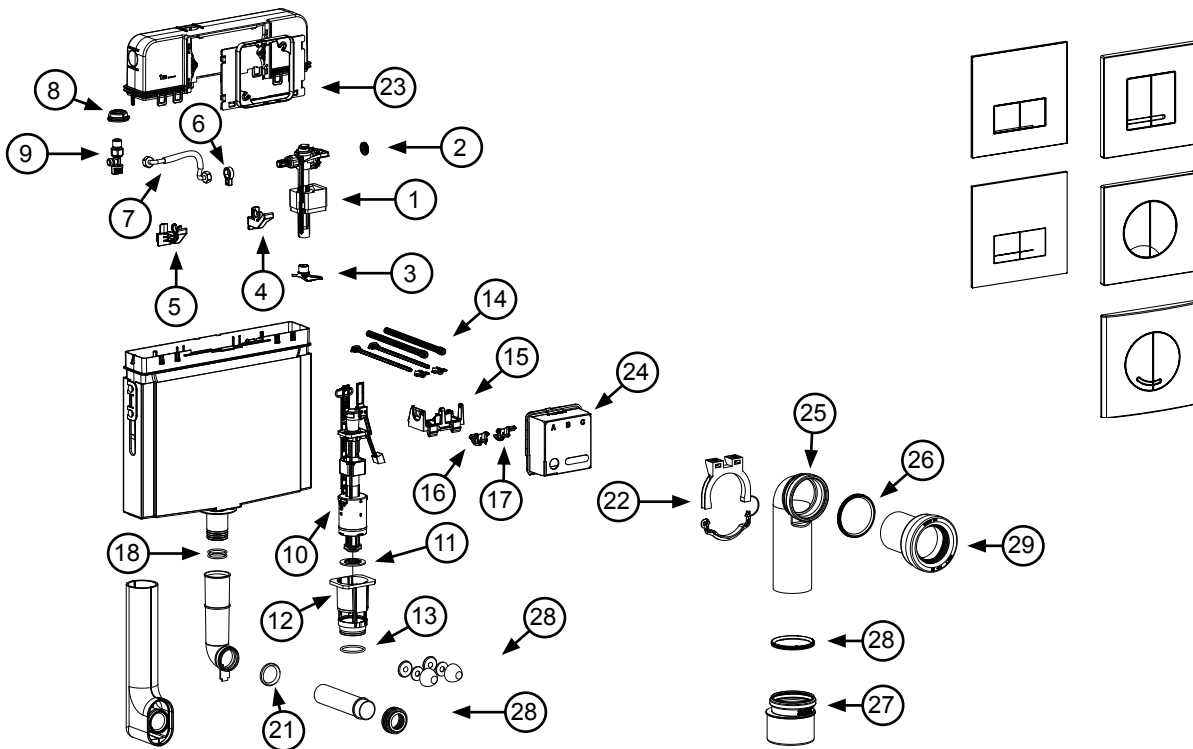
Matching flushing plates on pages 64 -67



| Pos. | Art. nr. | EAN-Code | Description | Details |
|-------|----------|---------------|---|----------------------|
| A 2 | 354264 | 3838912032409 | Cover plate | with setting levers |
| A 6 | 352277 | 3838912032522 | Rubber lip seal | for flush pipe elbow |
| A 7 | 382059 | 3838912033710 | Flush pipe elbow without att., L=300 mm | |
| I 1.2 | 628458 | 3838912038012 | Fill valve HDV G 3/8 from 02/2014 | |
| I 1.3 | 628459 | 3838912038104 | Connecting tube from 02/2014 | without angle valve |
| I 1.4 | 674879 | 3838912063267 | Stop valve 1/2" - 3/8" | |
| I 2 | 358719 | 3838912032423 | Flush valve holder | |
| I 3 | 358717 | 3838912032508 | Flush valve | complete with seal |
| I 4 | 243275 | 3838912033918 | Flush valve gasket | |
| Z 1 | 675100 | 3838912064486 | Set fill valve 182, 188, 180, 189 | |
| 12 | 674914 | 3838912063434 | Flush valve holder, WC 189A, 189 DWC | |

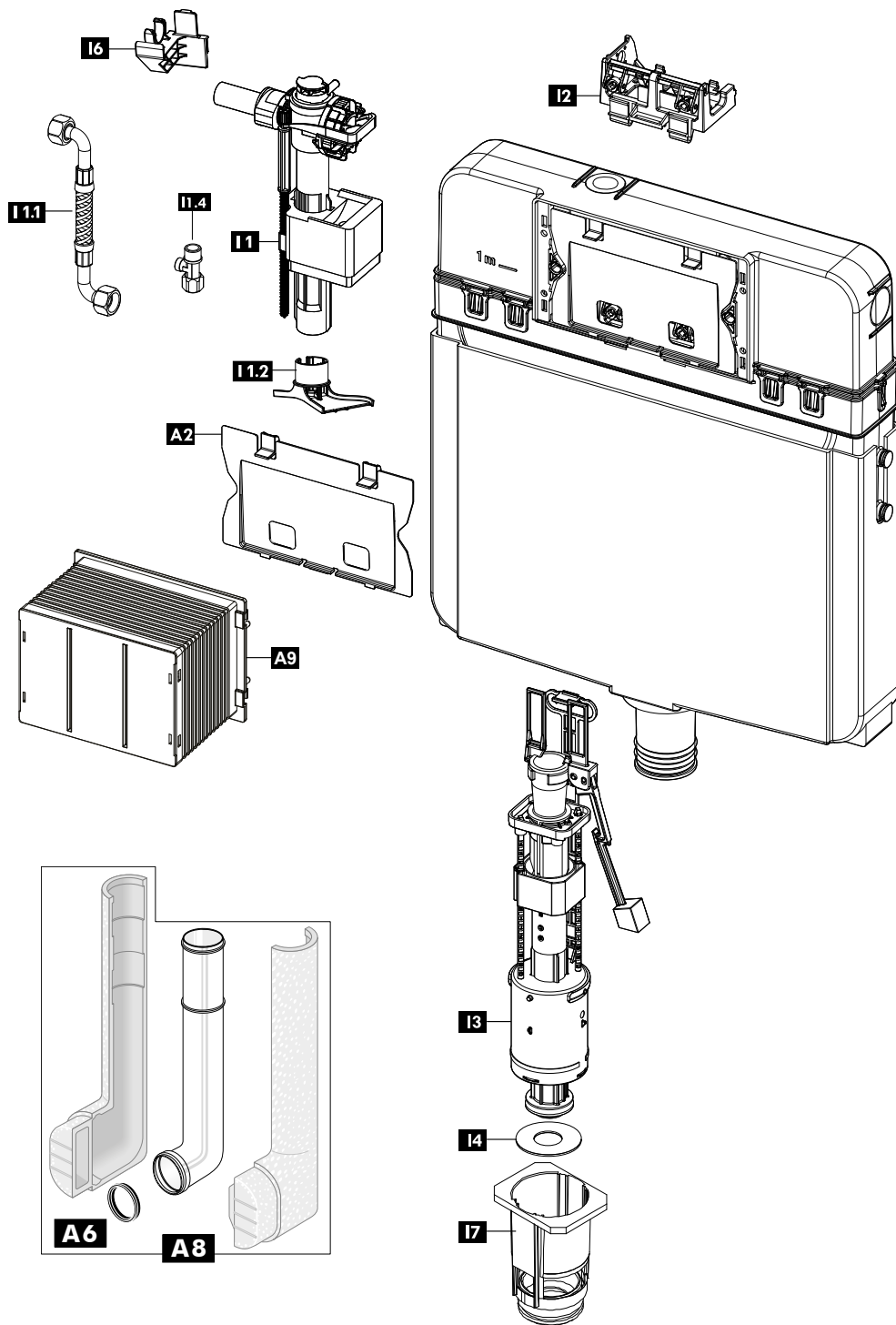
* Product available on request

399



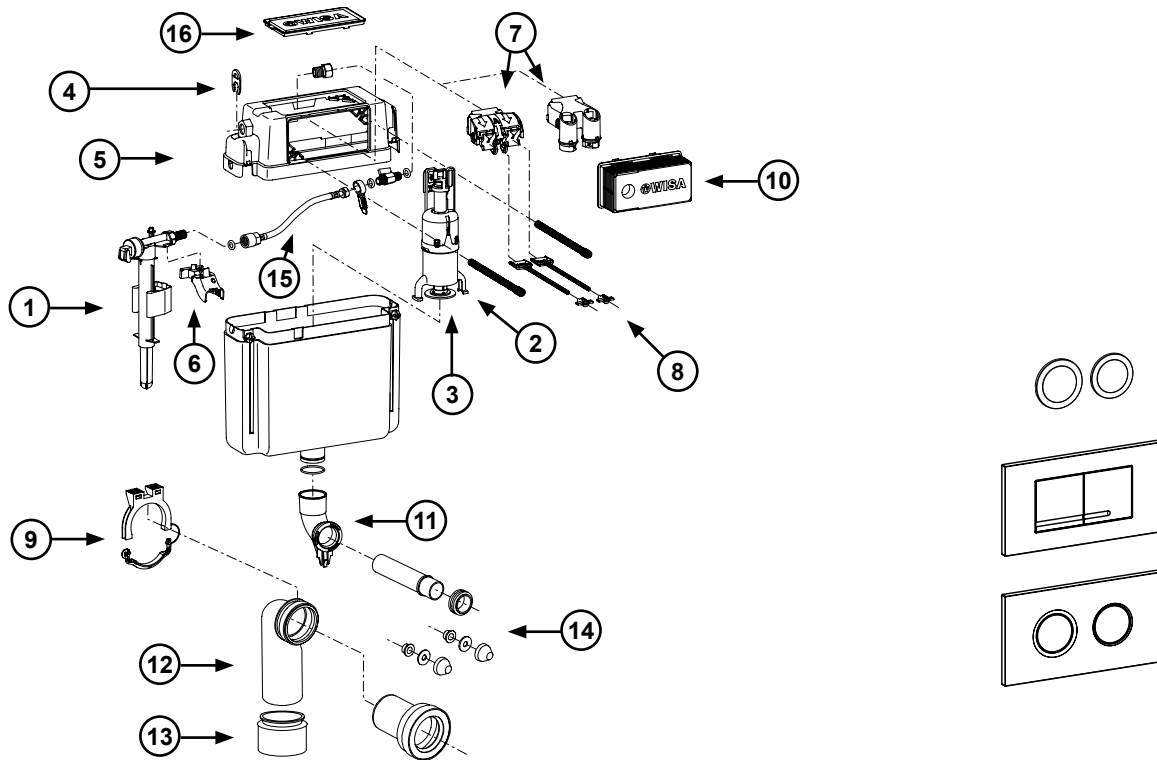
| Pos. | WISA Art. nr. | Description |
|------|---------------|--|
| 1 | 747EBSCW | Fill valve 747 G 3/8 |
| 2 | 2-231 | Rubber membrane |
| 3 | GR0714 | Difusor |
| 4 | GR0691-5002 | Valve support hook right |
| 5 | GR0700-5002 | Valve support hook left |
| 6 | GR0663-9010 | Wrenge |
| 7 | GR0232 | Water connection flexible hose |
| 8 | 1409988419 | Rosette water connection |
| 9 | 8050802365 | Ball valve |
| 10 | B01-5002 | Flush valve |
| 11 | BG0017S | Flush valve rubber seal 59 x 23,4 x 4,2 mm |
| 12 | BG0005 | Seat flush valve |
| 13 | BG0033 | Seat flush valve O-Ring |
| 14 | 8050390109 | Set of fixation pins and control pins for control panels |
| 15 | GR0891 | Brigde |
| 16 | GR0889 | Lever full flush |
| 17 | GR0890 | Lever half flush |
| 18 | GR0053 | Tank O-Ring |
| 21 | 603988425 | Rubber seal flush pipe |
| 22 | 8050887097 | Discharge elbow fixation bracket |
| 23 | GR0888 | Fixation plate masonry aid |
| 24 | 8050887145 | Masonry aid |
| 25 | GR0029 | Discharge elbow PE 90 x 90 cm |
| 26 | GR0006 | Elbow gasket |
| 27 | 8050390091 | Adaptador PE 90/110 |
| 28 | 8050390061 | Adaptor gasket |
| 29 | 8050390080 | WC connexion kit standard L=230mm |
| | 8050390081 | WC connexion kit standard L=300mm |

199



| Pos. | Art. nr. | EAN code | Description |
|-------|--------------|---------------|------------------------|
| A 2 | GR0688S | 8681282687114 | Cover plate |
| A 6 | 352277 | 3838912032522 | Flush pipe seal |
| A 8 | GR-S113-0250 | 8681282655052 | Flush pipe elbow |
| I 1 | 747E-036-P20 | 3838912063496 | Fill valve 747 G 3/8 |
| I 1.1 | GR0232S | 8681282687220 | Connecting tube |
| I 1.2 | GR0714 | 8681282600168 | Diffuser |
| I 1.4 | 366293 | 3838912063243 | Stop valve |
| I 2 | GR-S20S | 8681282687336 | Bridge |
| I 3 | GR-S350-0250 | 8681282600182 | Flush valve |
| I 4 | GR-S391-0250 | 8681282658008 | Flush valve gasket |
| I 6 | GR-S182 | 8681282606887 | Holder |
| I 7 | GR-S190 | 8681282606979 | Flush valve holder 199 |

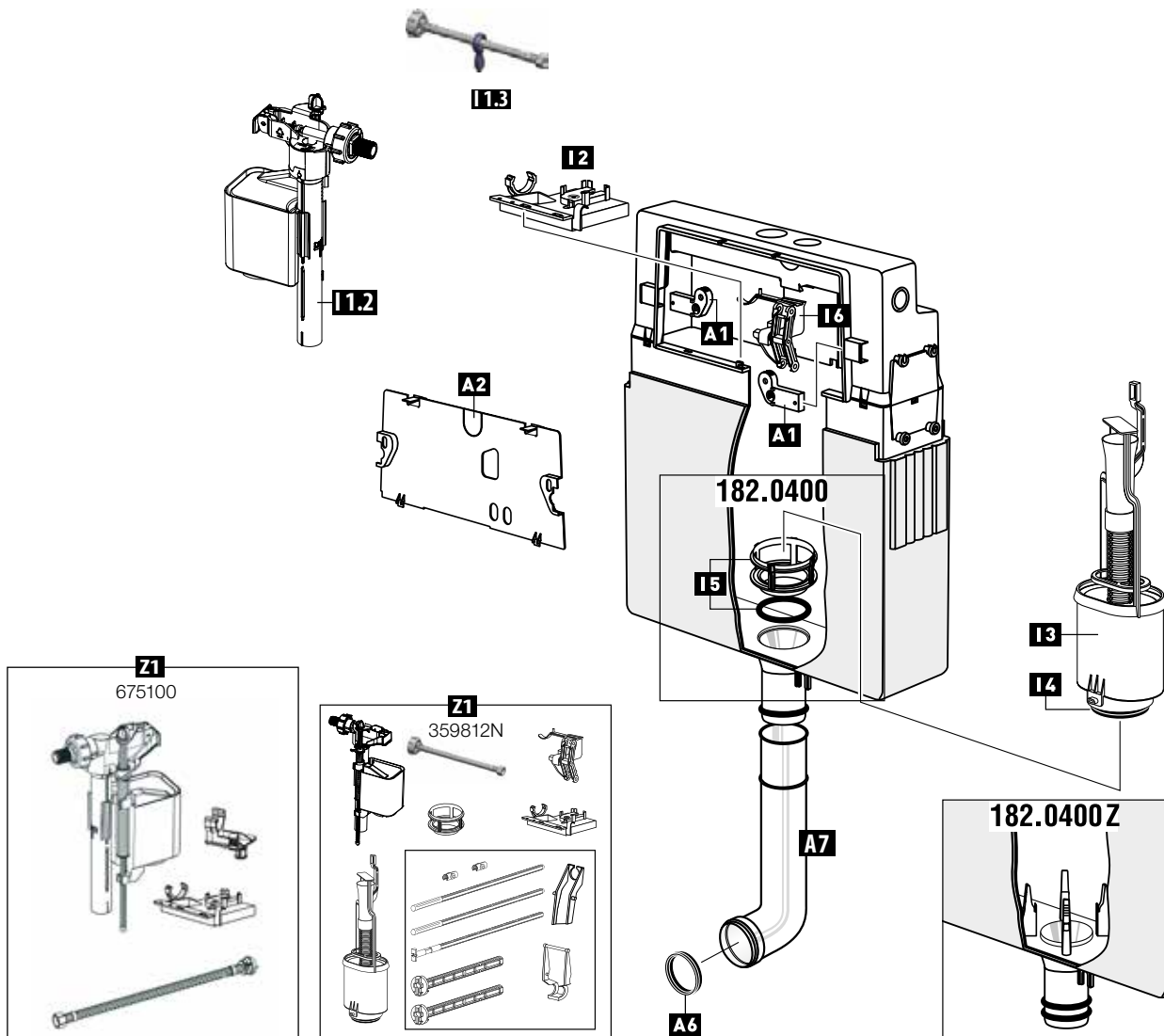
387 / XT



| Pos. | WISA Art. nr. | Description |
|------|---------------|--|
| 1 | 8035432795 | Fill valve HVK G 3/8 |
| 2 | 8050801525FM | Flush valve including rubber seal |
| | 8050801522 | Flush valve DFF (in combination with art.nr. 8050404111, 8050404410, 4060404111,4060404410) |
| 3 | 1411988440 | Flush valve rubber seal 28 x 65 x 3 |
| | 8050390037 | Bag of flush valve rubber seal 28 x 65 x 3 (5 pc.) |
| 4 | 8050887175 | Grip nut |
| 5 | 8050887119 | Cistern lid |
| 6 | 8050887079 | Bridging piece for float valve |
| 7 | 8050390031 | Clamp with control hooks, mechanical |
| | 8050390032 | Clamp with control hooks, pneumatic |
| | 8050390052 | Clamp DFF with control hooks (in combination with art.nr. 8050404111, 8050404410, 4060404111,4060404410) |
| | 8050390051 | Clamp SF with control hooks (in combination with art.nr. 8050404001, 4060404001) |
| 8 | 8050390111FM | Set of fixation pins and control pins for DF panels |
| 9 | 8050887097 | Discharge elbow fixation bracket |
| 10 | 8050887169 | Masonry aid top / front |
| 11 | 8050887349 | Flush pipe |
| | 8050390061 | Set rubber seals for flush pipe and discharge elbow 90 mm |
| 12 | 8050390090 | Discharge elbow PE 90 x 90 mm |
| 13 | 8050390091 | Adaptor 90 x 110 mm |
| 14 | 8050390080 | WC connection kit L=230 mm |
| | 8050390081 | WC connection kit L=300 mm |
| 15 | 8050802332 | Water connection flexible hose |
| 16 | 8050887104 | Cover |

182.0400

since 1999, P-IX 8155/I for dual flushing or start-stop flushing



Matching flushing plates

GALA

VIVA

RIVA

RIVA DUO

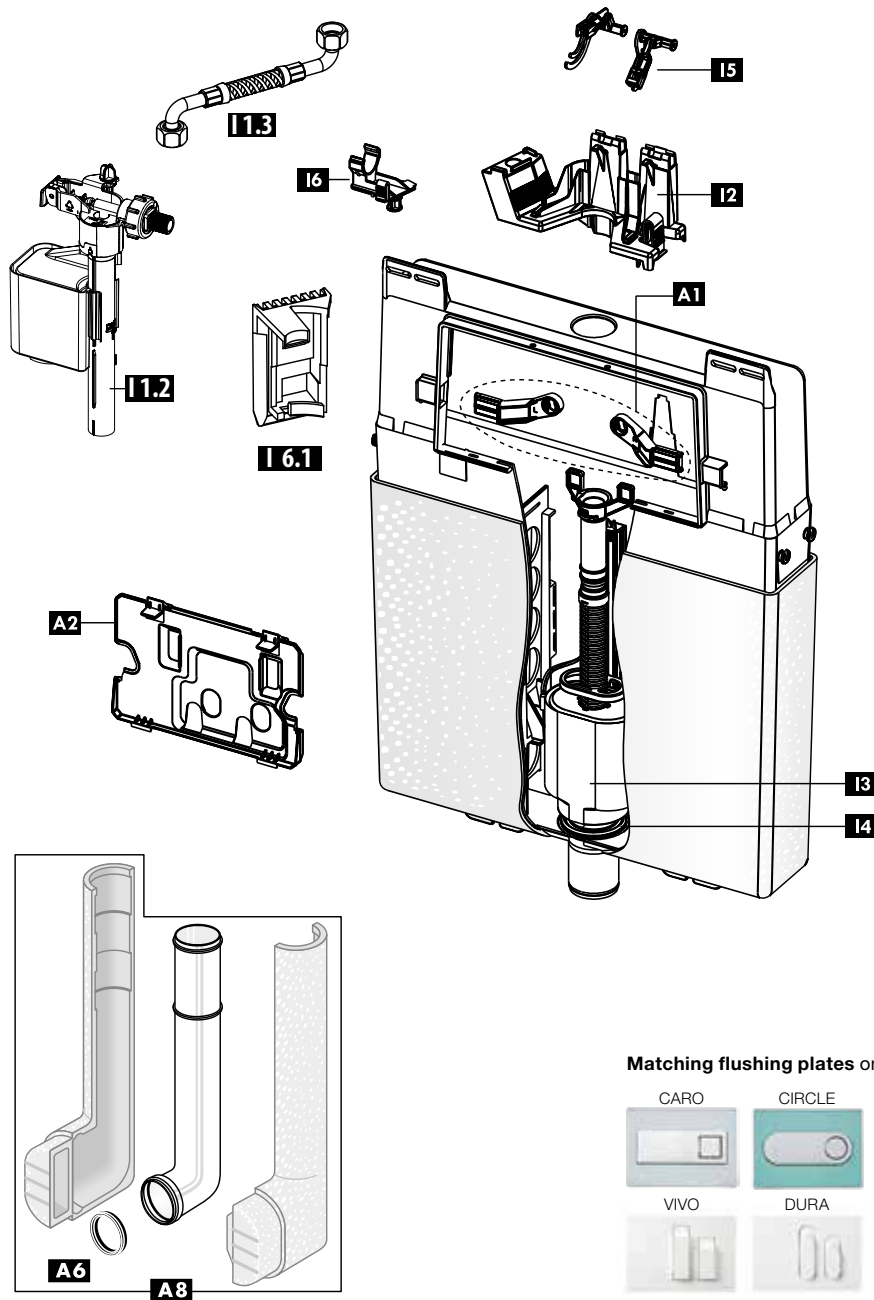


| Pos. | Art. nr. | EAN-Code | Description | Details |
|-------|----------|---------------|---|----------------------|
| A 1 | 363802 | 4016817025378 | Retaining tabs | 1 pair |
| A 2 | 235139 | 3838912035226 | Cover plate | |
| A 6 | 352277 | 3838912032522 | Rubber lip seal | for flush pipe elbow |
| A 7 | 359793 | 3838912038715 | Flush pipe elbow with att., L=300 mm | |
| A 7 | 382059 | 3838912033710 | Flush pipe elbow without att., L=300 mm | |
| I 1.2 | 628458 | 3838912038012 | Fill valve HDV G 3/8 from 02/2014 | |
| I 1.3 | 628459 | 3838912038104 | Connecting tube from 02/2014 | without angle valve |
| I 2 | 239889 | 3838912036001 | Bridge | |
| I 3 | 228578 | 3838912034809 | Flush valve | complete with seal |
| I 4 | 351517 | 3838912033901 | Valve seal | |
| I 5 | 352281 | 3838912036520 | Valve seat | with O-ring |
| I 6 | 231613 | 3838912035103 | Bearing bracket | with setting lever |
| Z 1 | 359812N | 3838912064431 | Set fill flush valve 182, 188 | until 02/2014 |
| Z 1 | 675100 | 3838912064486 | Set fill valve 182, 188, 180, 189 | |

* Product available on request

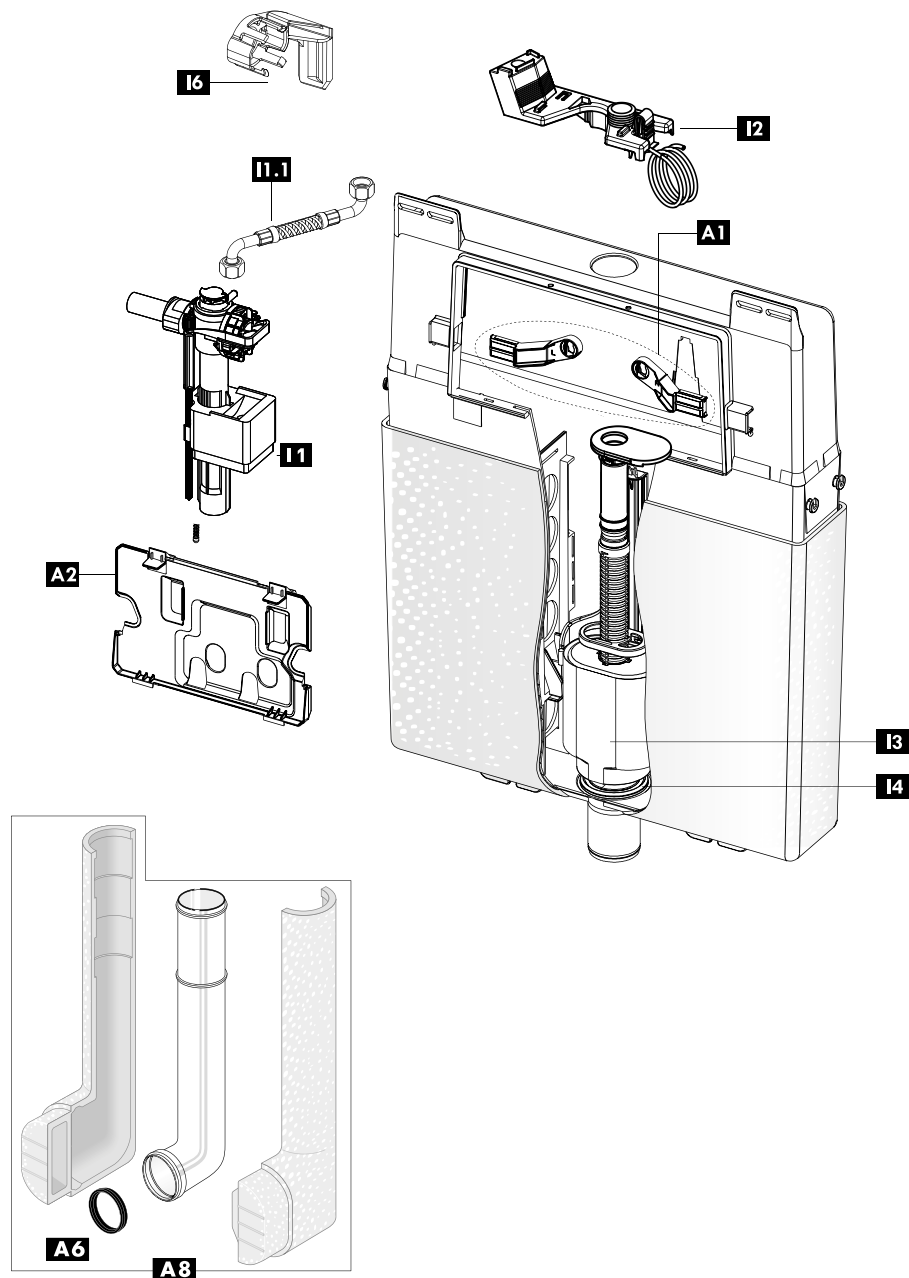
198

since 2013, for dual flushing or start-stop flushing



| Pos. | Art. nr. | EAN-Code | Description | Details |
|-------|--------------|---------------|-----------------------------------|----------------------|
| A 1 | 608825 * | 3838912030719 | Retaining tabs | 1 pair |
| A 2 | 608826 * | 3838912030726 | Cover plate | |
| A 6 | 352277 | 3838912032522 | Rubber lip seal | for flush pipe elbow |
| A 8 | GR-S113-0250 | 8681282655052 | Flush pipe elbow | |
| I 1.2 | 628458 | 3838912038012 | Fill valve HDV G 3/8 from 02/2014 | |
| I 1.3 | 628460 * | 3838912038111 | Connecting tube from 02/2014 | without angle valve |
| I 2 | 608828 * | 3838912030801 | Bridge | |
| I 3 | 608829 * | 3838912030818 | Flush valve | complete with seal |
| I 4 | 351517 | 3838912033901 | Valve seal | |
| I 5 | 608830 * | 3838912030825 | Activation unit | |
| I 6 | 358719 | 3838912032423 | Holder until 02/2014 | |
| I 6.1 | 632569 * | 3838912020727 | Holder from 02/2014 | |

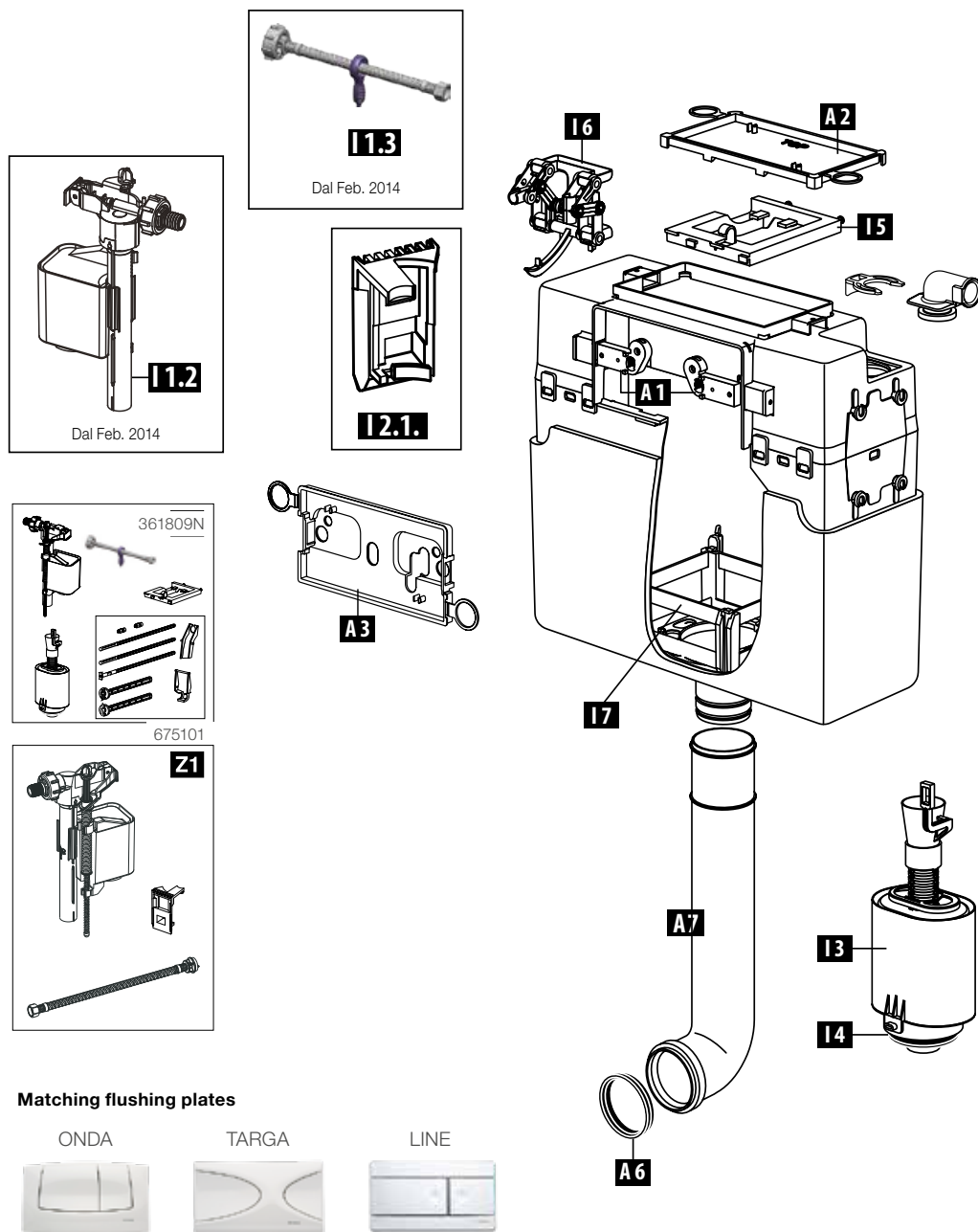
198 PNEU



| Pos. | Art. nr. | Description |
|-------|--------------|---------------------------------------|
| A 1 | 608825 | Supporting bracket for flushing plate |
| A 2 | 608826 | Cover plate |
| A 6 | 352277 | Flush pipe seal |
| A 8 | GR-S113-0250 | Flush pipe elbow |
| 1 1 | 747E-036-P20 | Fill valve 747 |
| 1 1.1 | 670024 | Connecting tube |
| 1 2 | 672265 | Bridge |
| 1 3 | 672266 | Flush valve |
| 1 4 | 351517 | Flush valve gasket |
| 1 6 | 670023 | Holder |

187 (187.1200)

since 2001, P-IX 8155/I, for front or top activation, for dual flushing



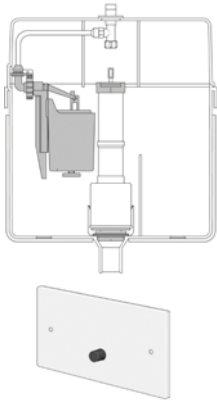
| Pos. | Art. nr. | EAN-Code | Description | Details |
|-------|----------|---------------|---|----------------------|
| A 1 | 363802 | 4016817025378 | Retaining tabs | 1 pair |
| A 2 | 239333 | 3838912035813 | Closure plate | |
| A 3 | 239334 | 3838912035820 | Cover plate | |
| A 6 | 352277 | 3838912032522 | Rubber lip seal | for flush pipe elbow |
| A 7 | 359793 | 3838912038715 | Flush pipe elbow with att., L=300 mm | |
| A 7 | 382059 | 3838912033710 | Flush pipe elbow without att., L=300 mm | |
| I 1.2 | 628458 | 3838912038012 | Fill valve HDV G 3/8 from 02/2014 | |
| I 1.3 | 628462 | 3838912038210 | Connecting tube from 02/2014 | without angle valve |
| I 2.1 | 632569 | 3838912020727 | Holder from 02/2014 | for filling valve |
| I 3 | 239233 | 3838912035707 | Flush valve | complete with seal |
| I 4 | 351517 | 3838912033901 | Valve seal | |
| I 5 | 239298 | 3838912035721 | Bridge | |
| I 6 | 355986 | 3838912037824 | Activation unit | |
| I 7 | 365137* | 3838912037220 | Locking mechanism | |
| Z 1 | 361809N | 3838912064448 | Set fill flush valve 187 until 02/2014 | |
| Z 1 | 675101 | 3838912064493 | Set fill valve 187 | |

* Product available on request

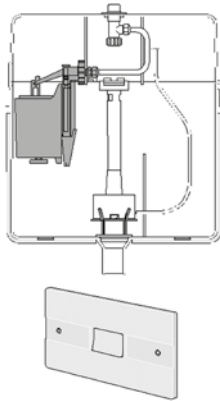
81.000/84.100/80.000

(since 1983, conversion to start-stop flushing)
(can't be converted in dual flushing)

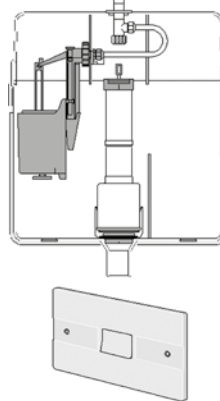
Mod. 81.000
1973 – 1976, P-IX 2171/I
Front mechanical flushing



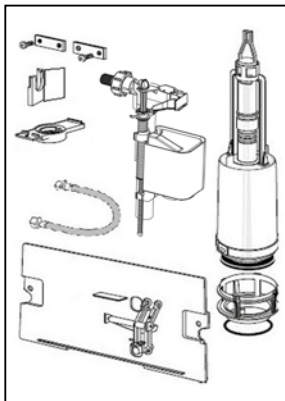
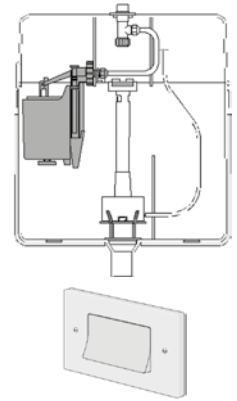
Mod. 81.000
1976 – 1977, P-IX 2355/I
Front mechanical flushing



Mod. 81./80.000
1978 – 1983, P-IX 2171/I
Front mechanical flushing



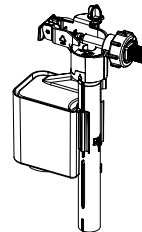
Mod. 84.100
1976 – 1980, P-IX 2355/I
Remote control for hand or foot activation of flushing



Conversion kit to start-stop flushing

Article number: **385768N**
EAN-Code: 3838912064462

New flushing plate needs to be ordered.
The old flushing plate can no longer be used.



Fill valve HDV

Article number: **628458**
EAN-Code: 3838912038012

Flushing plate

GALA



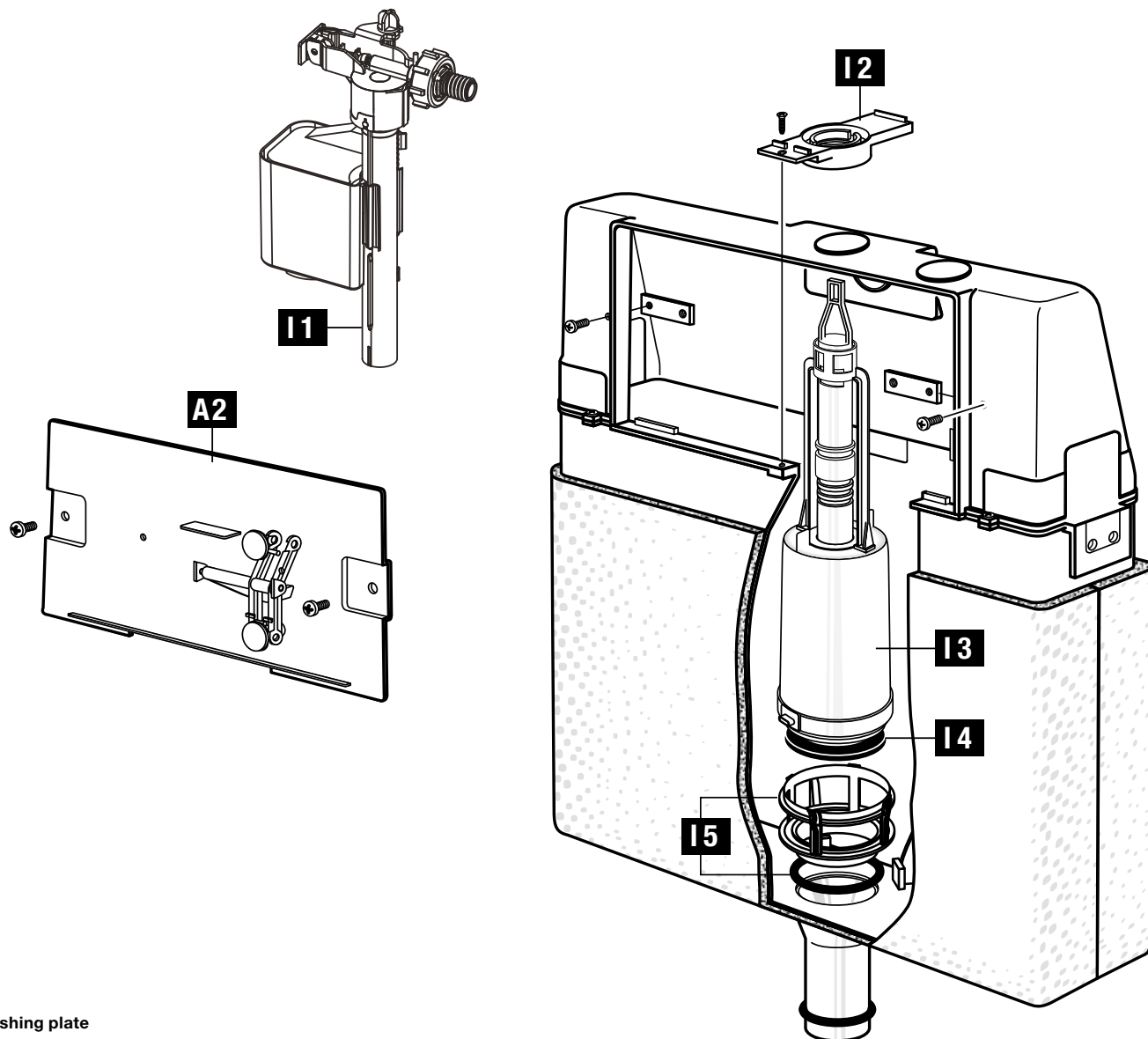
White
Article number: **223792**
EAN-Code: 3838912036605

Matt chrome
Article number: **227702**
EAN-Code: 3838912034625

* Product available on request

80.000

(since 1983 to 1996, P-IX-2171/1 for start-stop flushing)
(can't be converted in dual flushing)



Flushing plate

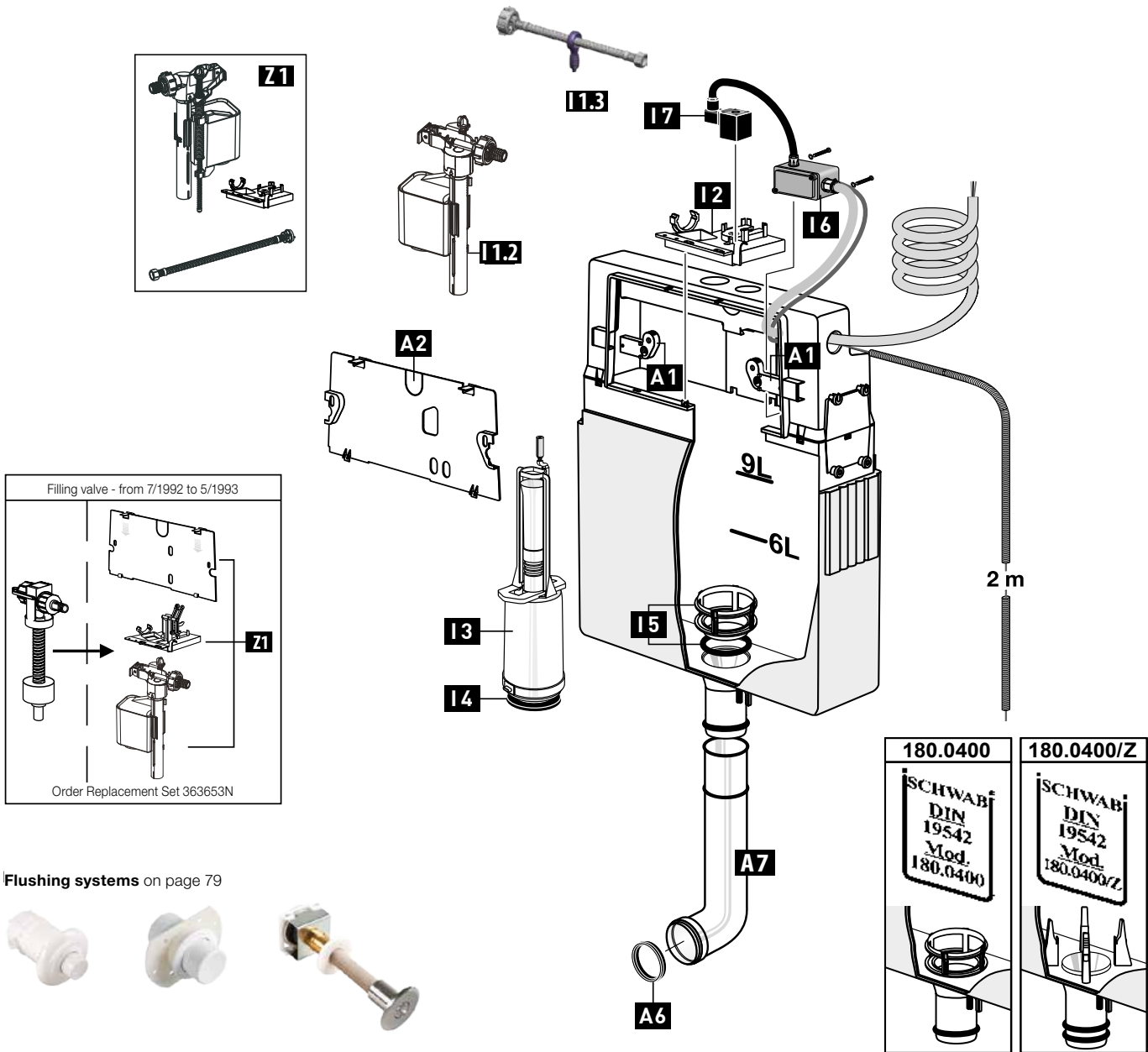
GALA



| Pos. | Art. nr. | EAN-Code | Description |
|------|----------|---------------|--|
| A2 | 360818 | 3838912036810 | Transparent cover plate for 80.000 |
| I1 | 628458 | 3838912038012 | Fill valve |
| I2 | 360710 | 3838912036711 | Bridge for 80.000 |
| I3 | 231695 | 3838912035110 | Flush valve for 80.000, kpl. with seal |
| I4 | 351517 | 3838912033901 | Valve seal |
| I5 | 352281 | 3838912036520 | Valve seat with O-ring |

183.XXX

since 1992 to 1997, P-IX 3462/I (Mod. 183.000), 1997 to 1998, P-IX 8155/I (Mod. 183.000) since 1999, P-IX 8155/I (Mod. 183.0400), for electro-pneumatic remote control



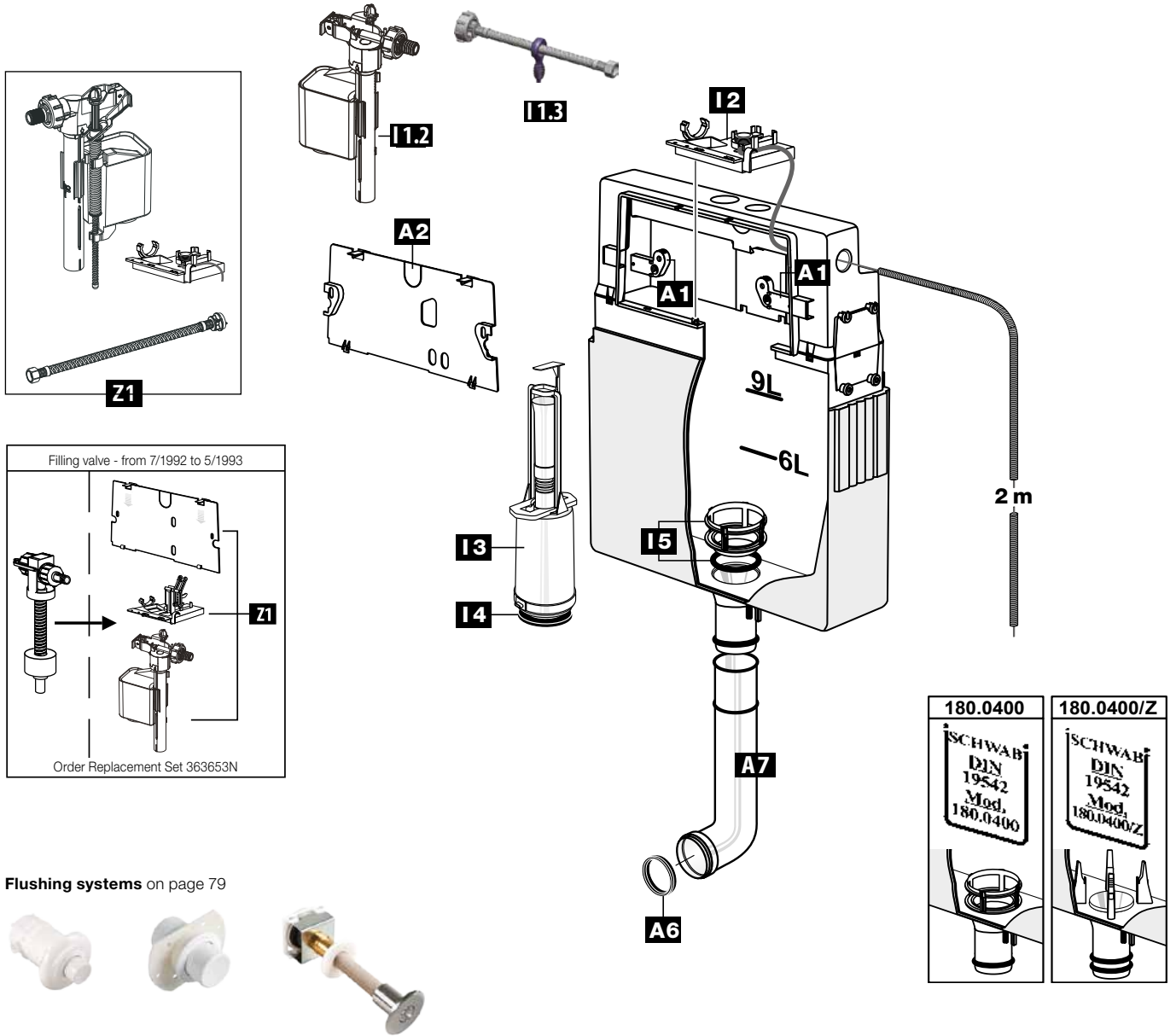
Flushing systems on page 79



| Pos. | Art. nr. | EAN-Code | Description | Details |
|-------|----------|---------------|---|---------------------------|
| A 1 | 363802 | 4016817025378 | Retaining tabs | 1 pair |
| A 2 | 363817 | 4016817026313 | Cover plate | |
| A 6 | 352277 | 3838912032522 | Rubber lip seal | for flush pipe elbow |
| A 7 | 359793 | 3838912038715 | Flush pipe elbow with att., L=300 mm | |
| A 7 | 382059 | 3838912033710 | Flush pipe elbow without att., L=300 mm | |
| I 1.2 | 628458 | 3838912038012 | Fill valve HDV G 3/8 from 02/2014 | |
| I 1.3 | 628459 | 3838912038104 | Connecting tube from 02/2014 | without angle valve |
| I 2 | 363827 | 3838912036100 | Bridge | |
| I 3 | 364323 | 3838912037206 | Flush valve | complete with seal |
| I 4 | 351517 | 3838912033901 | Valve seal | |
| I 5 | 352281 | 3838912036520 | Valve seat | with O-ring |
| I 6 | 365850 | 4016817026023 | Branch box | with pressure wave switch |
| I 7 | 366276 | 3838912037411 | Electromagnetic lever | |
| Z 1 | 675102 | 3838912064509 | Set fill valve 183, 186 | |
| Z 1 | 363653N | 3838912064455 | Set fi ll valve 180 until 02/2014 | |

184.XXX

since 1992 to 1997, P-IX 3462/I (Mod. 184.000), 1997 to 1998, P-IX 8155/I (Mod. 184.000) since 1999, P-IX 8155/I (Mod. 184.0400), for pneumatical remote control



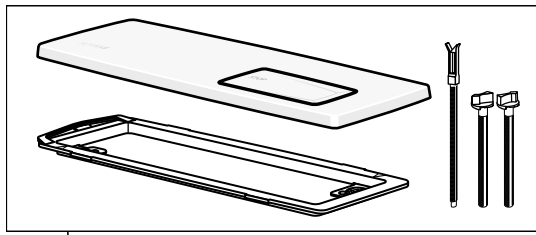
Flushing systems on page 79



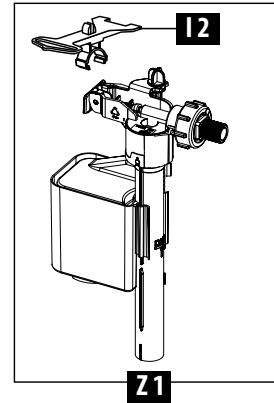
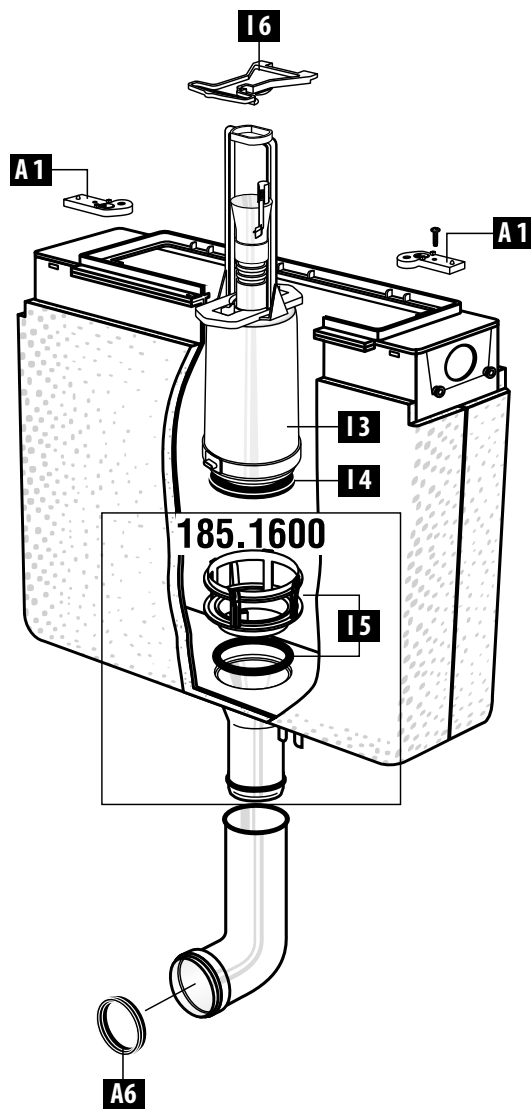
| Pos. | Ord. no. | EAN-Code | Description | Details |
|-------|----------|---------------|---|---------------------------|
| A 1 | 363802 | 4016817025378 | Retaining tabs | 1 pair |
| A 2 | 363817 | 4016817026313 | Cover plate | |
| A 6 | 352277 | 3838912032522 | Rubber lip seal | for flush pipe elbow |
| A 7 | 359793 | 3838912038715 | Flush pipe elbow with att., L=300 mm | |
| A 7 | 382059 | 3838912033710 | Flush pipe elbow without att., L=300 mm | |
| I 1.2 | 628458 | 3838912038012 | Fill valve HDV G 3/8 from 02/2014 | |
| I 1.3 | 628459 | 3838912038104 | Connecting tube from 02/2014 | without angle valve |
| I 2 | 362231 | 3838912037008 | Bridge | with bellows and air hose |
| I 3 | 362239 | 3838912037015 | Flush valve | complete with seal |
| I 4 | 351517 | 3838912033901 | Valve seal | |
| I 5 | 352281 | 3838912036520 | Valve seat | with O-ring |
| Z 1 | 675103 | 3838912064516 | Set fill valve 184 | |
| Z 1 | 363653N | 3838912064455 | Set fill valve 180 until 02/2014 | |

185.XXX

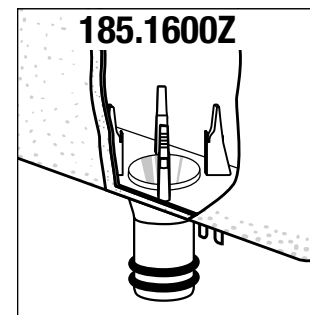
since 1993 to 1997, P-IX 3671/I (Mod. 185.000), 1997 to 1998, P-IX 8155/I (Mod. 185.000) since 1999,
P-IX 8155/I (Mod. 185.1600), for top activation / for start-stop flushing



B1



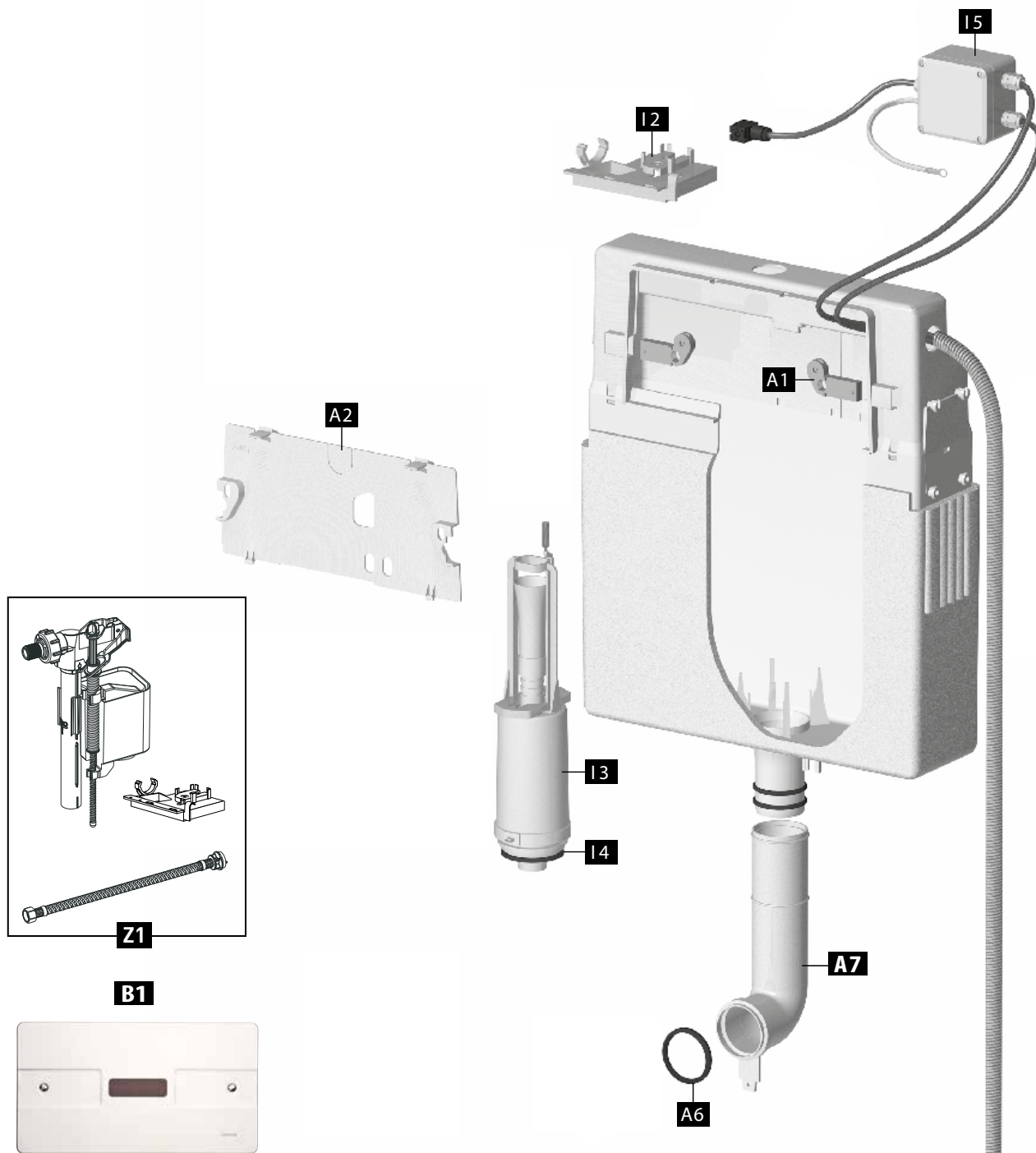
Z1



| Pos. | Art. nr. | EAN-Code | Description | Details |
|------|----------|---------------|----------------------------|-------------------------------------|
| A 1 | 363802 | 4016817025378 | Retaining tabs | 1 pair |
| A 6 | 352277 | 3838912032522 | Rubber lip seal | for flush pipe elbow |
| I 2 | 363793 | 4016817025019 | Bridge with retaining clip | |
| I 3 | 360711 | 3838912036728 | Flush valve | complete with seal (without lifter) |
| I 4 | 351517 | 3838912033901 | Valve seal | |
| I 5 | 352281 | 3838912036520 | Valve seat | with O-ring |
| I 6 | 363818 | 4016817026344 | Bridge | for outlet valve |
| B 1 | 241331 | 3838912036209 | Flushing plate Tecta | white |
| B 1 | 241303 | 3838912036124 | Flushing plate Tecta | matt chromed |
| Z 1 | 675105 | 3838912064530 | Set fill valve 185 | |

186.0400

since 2002, for dual flushing, for infrared flushing cistern control

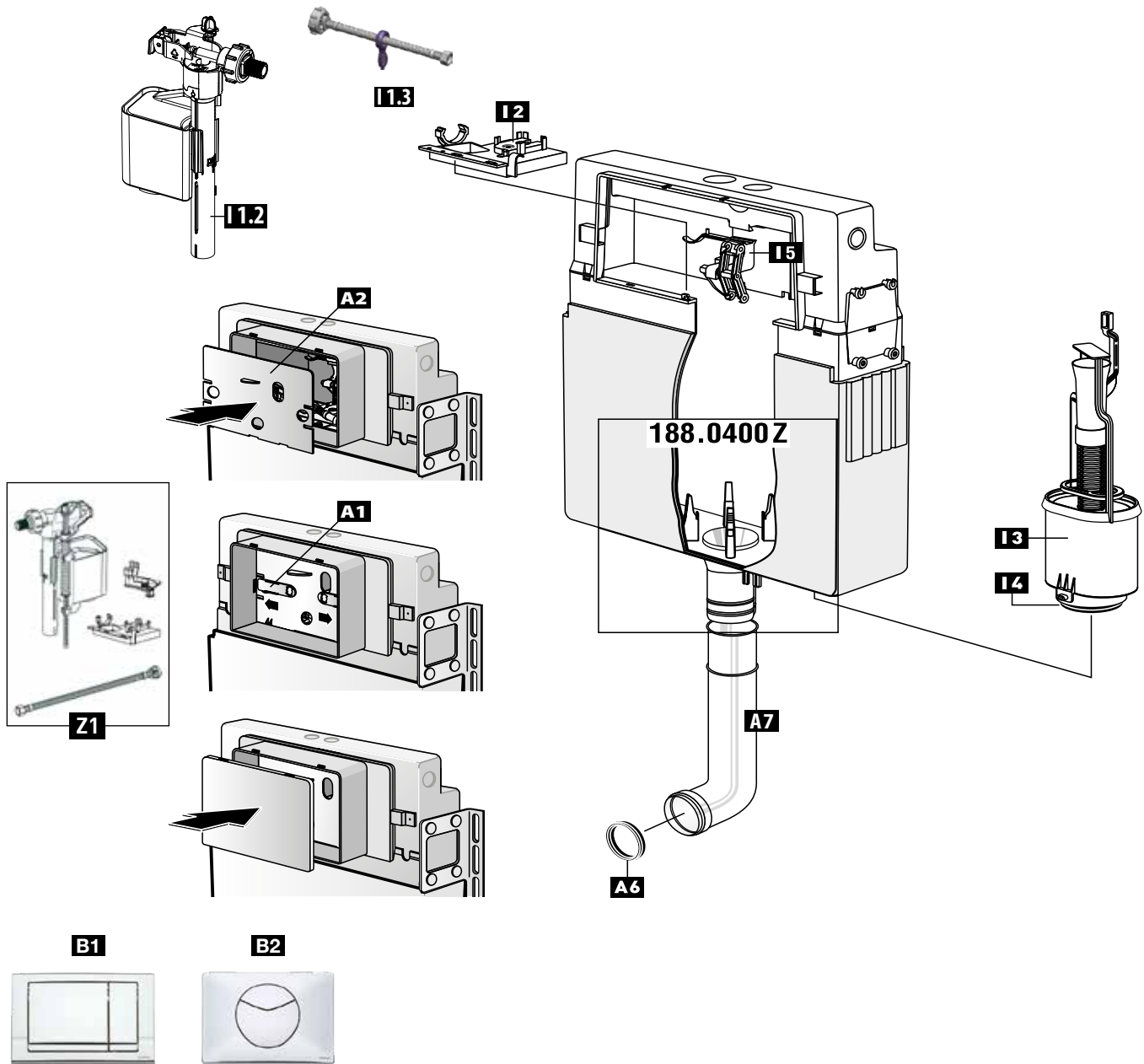


| Pos. | Art. nr. | EAN-Code | Description | Details |
|------|----------|---------------|---|-------------------------------------|
| A 1 | 363802 | 4016817025378 | Retaining tabs | 1 pair |
| A 2 | 385770* | 3838912025722 | Cover plate | |
| A 6 | 352277 | 3838912032522 | Rubber lip seal | for flush pipe elbow |
| A 7 | 359793 | 3838912038715 | Flush pipe elbow with att., L=300 mm | |
| A 7 | 382059 | 3838912033710 | Flush pipe elbow without att., L=300 mm | |
| I 2 | 363827 | 3838912036100 | Bridge | |
| I 3 | 363829 | 4016817026634 | Flush valve | complete with seal |
| I 4 | 351517 | 3838912033901 | Valve seal | |
| I 5 | 363828* | 4016817030655 | Power supply unit 230 V | complete with electromagnetic lever |
| B 1 | 367327* | 3838912032201 | Ecovital IR – WC- flushing | 230 V, dual flushing |
| Z 1 | 675102 | 3838912064509 | Set fill valve 183, 186 | |

* Product available on request

188.0400

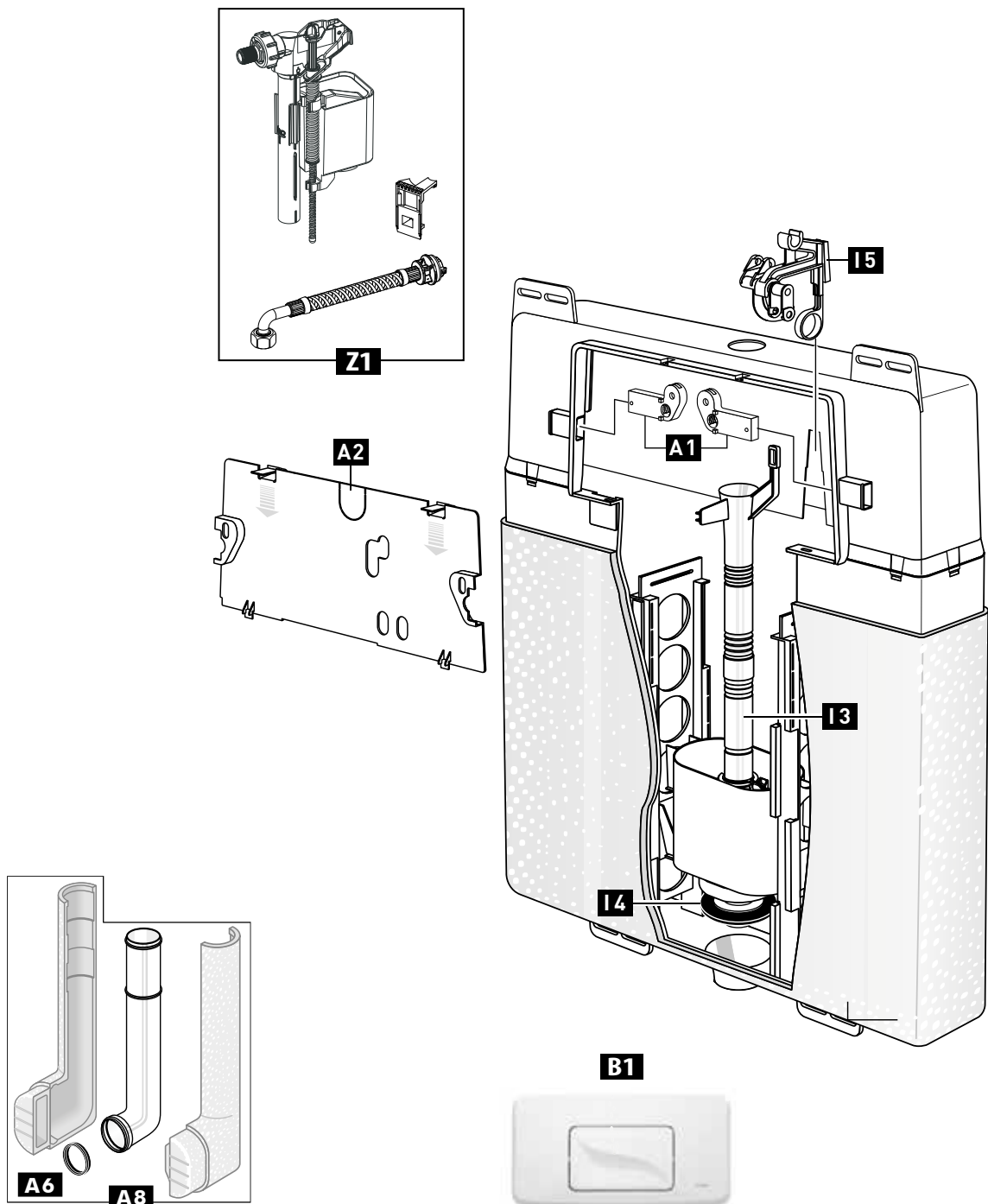
since 2008, P-IX 8155/I, for dual flushing or start-stop flushing



| Pos. | Art. nr. | EAN-Code | Description | Details |
|-------|----------|---------------|---|----------------------|
| A 1 | 367256 | 4016817030679 | Retaining tabs | 1 pair |
| A 2 | 363843 | 3838912029324 | Cover plate | |
| A 6 | 352277 | 3838912032522 | Rubber lip seal | for flush pipe elbow |
| A 7 | 359793 | 3838912038715 | Flush pipe elbow with att., L=300 mm | |
| A 7 | 382059 | 3838912033710 | Flush pipe elbow without att., L=300 mm | |
| I 1.2 | 628458 | 3838912038012 | Fill valve HDV G 3/8 from 02/2014 | |
| I 1.3 | 628459 | 3838912038104 | Connecting tube from 02/2014 | without angle valve |
| I 2 | 239889 | 3838912036001 | Bridge | |
| I 3 | 228578 | 3838912034809 | Flush valve | complete with seal |
| I 4 | 351517 | 3838912033901 | Valve seal | |
| I 5 | 231613 | 3838912035103 | Bearing bracket | with setting lever |
| B1 | 227730 | 3838912029409 | Plate riva duo mini gloss chrome | for dual flushing |
| B2 | 227753 | 3838912034700 | Plate point duo gloss chrome | for dual flushing |
| Z 1 | 675100 | 3838912064486 | Set fill valve 182, 188, 180, 189 | |

190.XXX

since 1997 (Mod. 190.000), since 1999 to 2003 (Mod. 190.0400) for start-stop flushing

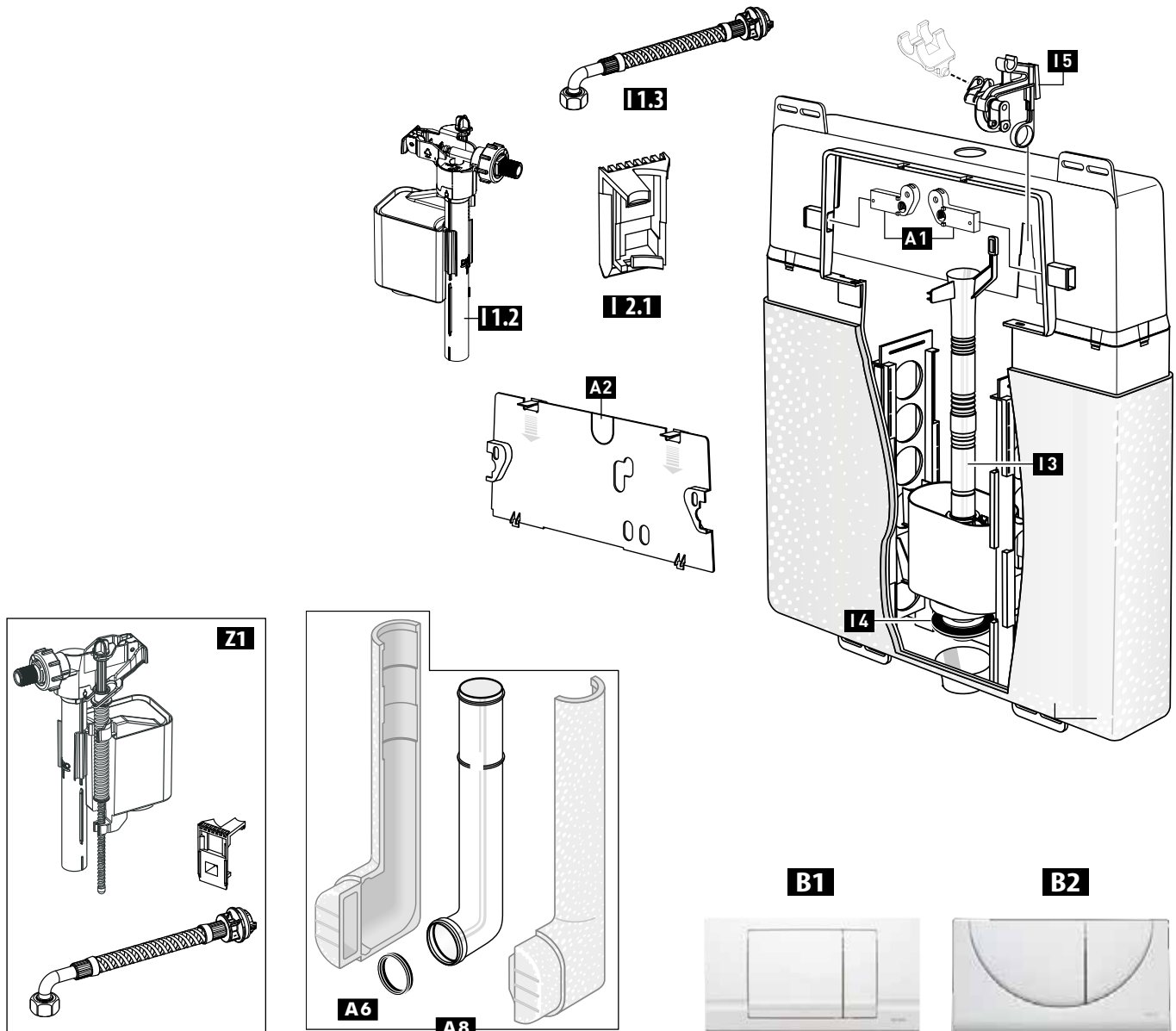


| Pos. | Art. nr. | EAN-Code | Description | Details |
|------|--------------|---------------|-------------------------|-------------------------|
| A 1 | 363802 | 4016817025378 | Retaining tabs | 1 pair |
| A 2 | 239337 | 3838912032515 | Cover plate | |
| A 6 | 352277 | 3838912032522 | Rubber lip seal | for flush pipe elbow |
| A 8 | GR-S113-0250 | 8681282655052 | Flush pipe elbow | with insulation |
| I 3 | 239336 | 3838912032614 | Flush valve | complete with seal |
| I 4 | 351517 | 3838912033901 | Valve seal | |
| I 5 | 234116 | 3838912035202 | Bearing bracket | with setting lever |
| B 1 | 223792* | 3838912036605 | Plate gala white | for start-stop flushing |
| B 1 | 227702* | 3838912034625 | Plate gala matt chrome | for start-stop flushing |
| B 1 | 345845* | 3838912036414 | Plate gala-s white | for start-stop flushing |
| Z 1 | 675104 | 3838912064523 | Set fill valve 190, 192 | |

* Product available on request

192.0400

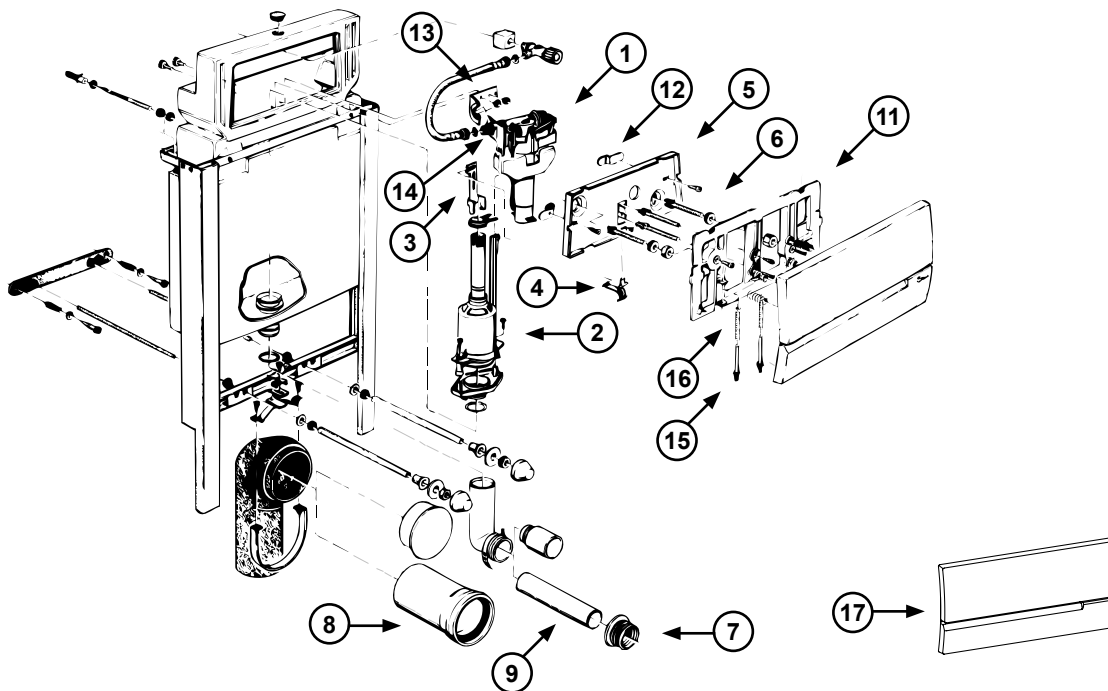
since 2003, for dual flushing or start-stop flushing



| Pos. | Art. nr. | EAN-Code | Description | Details |
|-------|--------------|---------------|-----------------------------------|---|
| A 1 | 363802 | 4016817025378 | Retaining tabs | 1 pair |
| A 2 | 239337 | 3838912032515 | Cover plate | |
| A 6 | 352277 | 3838912032522 | Rubber lip seal | for flush pipe elbow |
| A 8 | GR-S113-0250 | 8681282655052 | Flush pipe elbow | with insulation |
| I 1.2 | 628458 | 3838912038012 | Fill valve HDV G 3/8 from 02/2014 | |
| I 1.3 | 628460* | 3838912038111 | Connecting tube from 02/2014 | without angle valve |
| I 2.1 | 632569* | 3838912020727 | Holder from 02/2014 | for filling valve |
| I 3 | 239336 | 3838912032614 | Flush valve | complete with seal |
| I 4 | 351517 | 3838912033901 | Valve seal | |
| I 5 | 239963 | 3838912032621 | Bearing bracket | with setting lever and adapter, for dual flushing |
| B 1 | 227713 | 3838912030122 | Plate viva duo gloss chrome | for dual flushing |
| B 2 | 227556 | 3838912030009 | Plate viva duo white | for dual flushing |
| B 2 | 227602 | 3838912034311 | Plate viva duo matt chrome | for dual flushing |
| B 2 | 227203 | 3838912030016 | Plate viva duo gloss chrome | for dual flushing |
| Z 1 | 675104 | 3838912064523 | Set fill valve 190, 192 | |

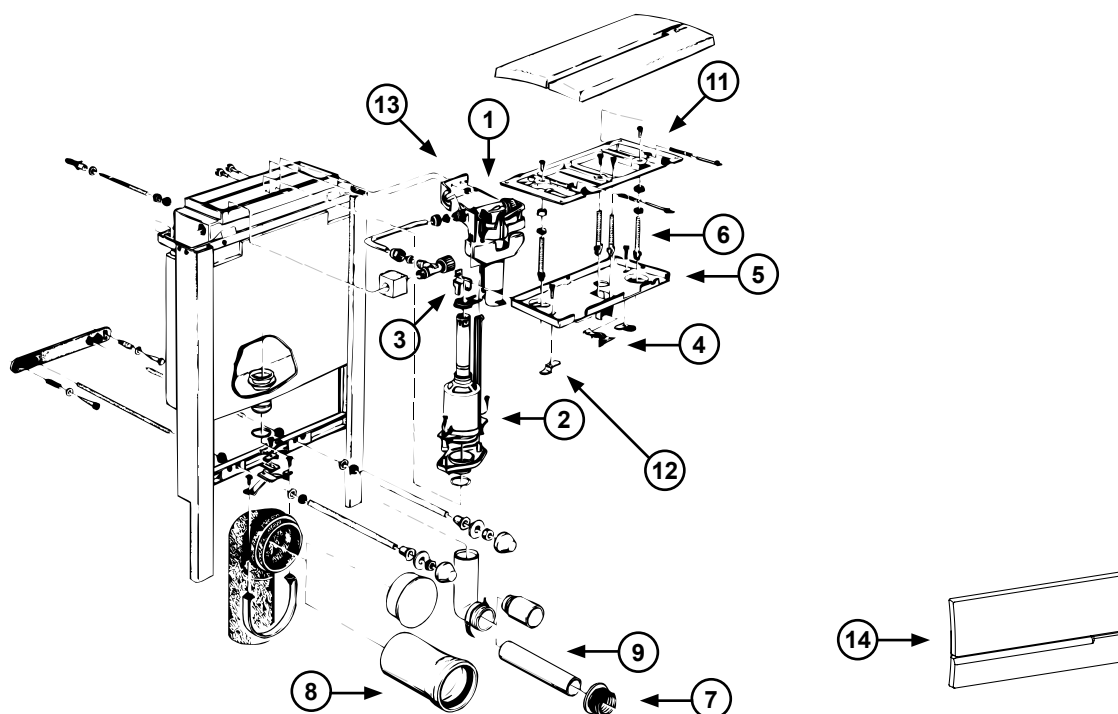
* Product available on request

WISA 2000 (BIS 1996)



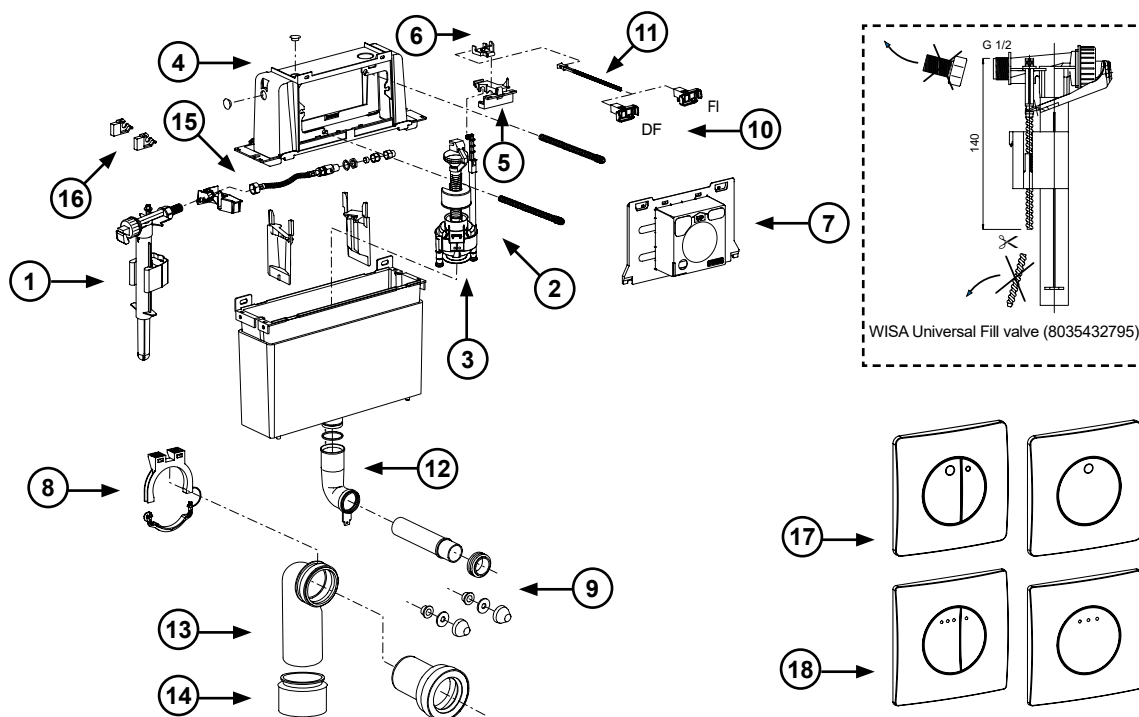
| Pos. | WISA Art. nr. | Description |
|------|---------------|--|
| 1 | 8035432795 | Fill valve HVK G 3/8 |
| 2 | 8050800506 | Flush valve WISA 2000 including rubber seal |
| | 1411988440 | Flush valve rubber seal 28 x 65 x 3 |
| | 8050390037 | Bag of flush valve rubber seal 28 x 65 x 3 (5 pc.) |
| | 8050883106 | Clip |
| 3 | 8050883265 | Hook mechanism WISA 2000 |
| 4 | 8050883263 | Lever WISA 2000/02 |
| 5 | 8050883262 | Closing plate WISA 2000/02 |
| 6 | 8050800041 | Fixation screws WISA 2000/02 in bag |
| 7 | 8050880349 | Flush pipe connector |
| 8 | 1409985880 | Discharge extension pipe 110 mm white |
| 9 | 8050887369 | Flush pipe extension 45 mm white L=230 mm |
| 11 | 8050883260 | Wall mounting frame for control panel WISA 2000/02 |
| 12 | 8050390040 | Fixation materials for closing plate |
| 13 | 1403883266 | Flush valve support hook steel |
| 14 | 8050883261 | Fixing plate flush valve |
| 15 | 1401980442 | Pressure spring |
| 16 | 8050882851 | Pressure pin |
| 17 | 8050420300 | Control panel WISA 2000/02 - 2019/2020 white |
| | 8050420307 | Control panel WISA 2000/02 - 2019/2020 pergamon |
| | 8050420319 | Control panel WISA 2000/02 - 2019/2020 matt chrome |

WISA 2002 (BIS 1996)



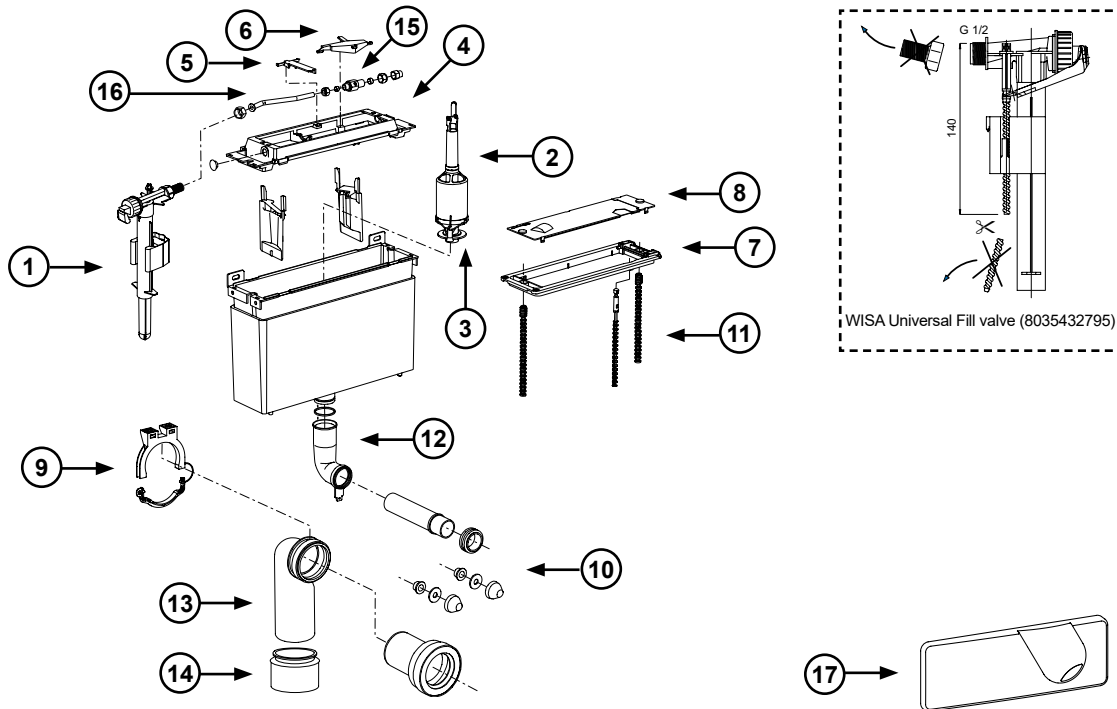
| Pos. | WISA Art. nr. | Description |
|------|---------------|--|
| 1 | 8035432795 | Fill valve HVK G 3/8 |
| 2 | 8050800506 | Flush valve WISA 2000 including rubber seal |
| | 1411988440 | Flush valve rubber seal 28 x 65 x 3 |
| | 8050390037 | Bag of flush valve rubber seal 28 x 65 x 3 (5 pc.) |
| | 8050883106 | Clip |
| 3 | 8050883269 | Hook mechanism WISA 2002 |
| 4 | 8050883263 | Lever WISA 2000/02 |
| 5 | 8050883262 | Closing plate WISA 2000/02 |
| 6 | 8050800041 | Fixation screws WISA 2000/02 in bag |
| 7 | 8050880349 | Flush pipe connector |
| 8 | 1409985880 | Discharge extension pipe 110 mm white |
| 9 | 8050887369 | Flush pipe extension 45 mm white L=230 mm |
| 11 | 8050883260 | Wall mounting frame for control panel WISA 2000/02 |
| 12 | 8050390040 | Fixation materials for closing plate |
| 13 | 1403883266 | Flush valve support hook steel |
| 14 | 8050420300 | Control panel WISA 2000/02 - 2019/2020 white |
| | 8050420307 | Control panel WISA 2000/02 - 2019/2020 pergamon |
| | 8050420319 | Control panel WISA 2000/02 - 2019/2020 matt chrome |

WISA QUADRO



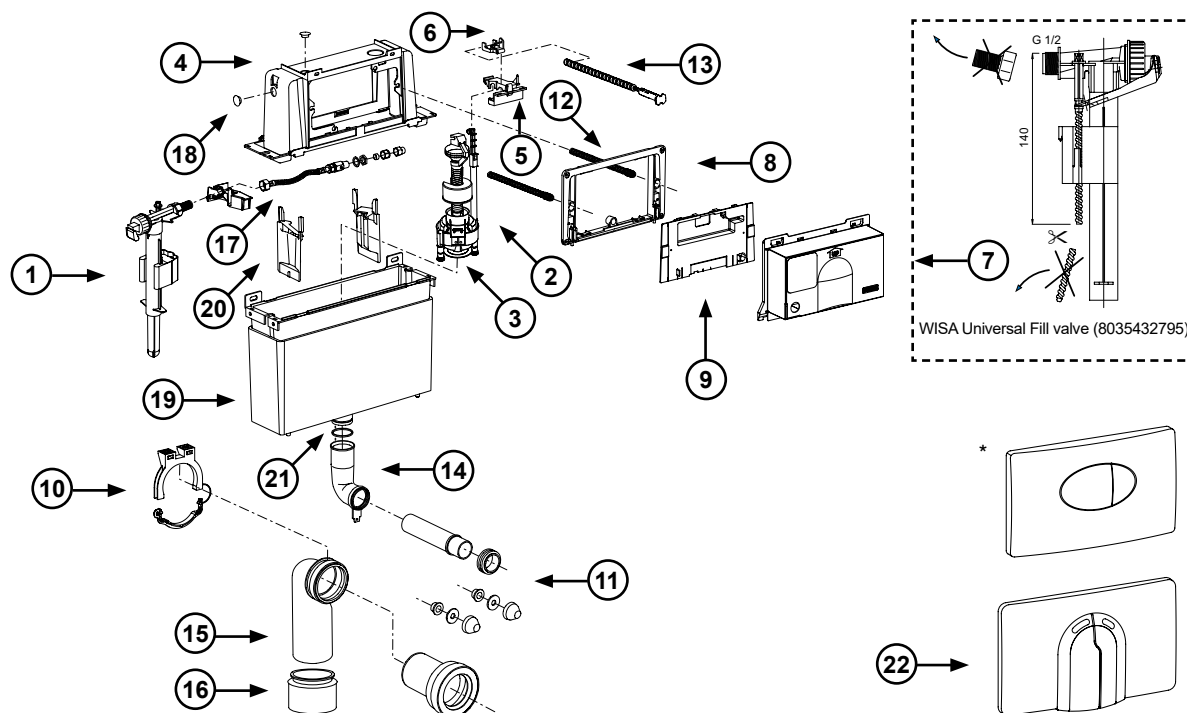
| Pos. | WISA Art. nr. | Description |
|------|---------------|---|
| 1 | 8035432795 | Fill valve HVK G 3/8 |
| 2 | 8050801523 | Flush valve Quadro including rubber seal |
| | 8050800512 | Flush valve Quadro 4 liter including rubber seal |
| 3 | 8035390111 | Rubber seal |
| 4 | 8050887102 | Cistern lid WISA Quadro |
| 5 | 8050390110 | Bridging piece including lever and support valve (new model) |
| 6 | 8050887110 | Lever |
| 7 | 8050887141 | Masonry aid |
| 8 | 8050887097 | Discharge elbow fixation bracket |
| 9 | 8050390080 | WC connection kit L=230 mm |
| | 8050390081 | WC connection kit L=300 mm |
| 10 | 8050390106 | Set of fixation pins and control pins for Quadro FI panels (blue lock) |
| | 8050390107 | Set of fixation pins and control pins for Quadro DF panels (green lock) |
| 11 | 8050390102 | Control pin and head for Quadro FI panels |
| | 8050390103 | Control pin and head for Quadro DF/SF panels |
| 12 | 8050887355 | Flush pipe WISA XS with tongue |
| | 8050390061 | Set rubber seals for flush pipe and discharge elbow 90 mm |
| 13 | 8050887362 | Discharge elbow PE 90 x 90 mm |
| 14 | 8050887363 | Adaptor 90 x 110 mm |
| 15 | 8050802330 | Water connection flexible hose 1/2" |
| | 8050802331 | Water connection flexible hose 12 mm |
| 16 | 8050390123 | Repair kit control panels Quadro |
| 17 | 8050417101 | Quadro control panel Gaia FI white |
| | 8050417114 | Quadro control panel Gaia FI pergamon |
| | 8050417131 | Quadro control panel Gaia FI matt chrome |
| | 8050417151 | Quadro control panel Gaia FI bright chrome |
| | 8050417001 | Quadro control panel Gaia DF white |
| | 8050417014 | Quadro control panel Gaia DF pergamon |
| | 8050417031 | Quadro control panel Gaia DF matt chrome |
| | 8050417051 | Quadro control panel Gaia DF bright chrome |
| 18 | 8050416801 | Quadro control panel Enyo FI white |
| | 8050416814 | Quadro control panel Enyo FI pergamon |
| | 8050416831 | Quadro control panel Enyo FI matt chrome |
| | 8050416851 | Quadro control panel Enyo FI bright chrome |
| | 8050416701 | Quadro control panel Enyo DF white |
| | 8050416714 | Quadro control panel Enyo DF pergamon |
| | 8050416731 | Quadro control panel Enyo DF matt chrome |
| | 8050416751 | Quadro control panel Enyo DF bright chrome |

WISA 2100 TOP



| Pos. | WISA Art. nr. | Description |
|------|---------------|---|
| 1 | 8035432795 | Fill valve HVK G 3/8 |
| 2 | 8050800511 | Flush valve 2100 SO including rubber seal |
| | 8050800525 | Flush valve 2100 pneumatic including rubber seal |
| 3 | 1411988440 | Flush valve rubber seal 28 x 65 x 3 |
| | 8050390037 | Bag of flush valve rubber seal 28 x 65 x 3 (5 pc.) |
| 4 | 8050887103 | Cistern lid |
| 5 | 8050887108 | Bridging piece |
| 6 | 8050887111 | Lever |
| 7 | 8050887124 | Wall mounting frame |
| 8 | 8050887115 | Closing plate |
| 9 | 8050887097 | Discharge elbow fixation bracket |
| 10 | 8050390080 | WC connection kit L=230 mm |
| | 8050390081 | WC connection kit L=300 mm |
| 11 | 8050390077 | Set of fixation pins and control pins for FI panels |
| 12 | 1409985904 | Flush pipe with tongue |
| | 8050390061 | Set rubber seals for flush pipe and discharge elbow 90 mm |
| 13 | 8050887362 | Discharge elbow PE 90 x 90 mm |
| 14 | 8050887363 | Adaptor 90 x 110 mm |
| 15 | 1405987110 | Ball valve |
| 16 | 1405987138 | Copper connection pipe |
| 17 | 8050420800 | Control panel WISA 2100 top white |
| | 8050420807 | Control panel WISA 2100 top pergamon |
| | 8050420802 | Control panel WISA 2100 top beige |
| | 8050420829 | Control panel WISA 2100 top matt chrome |
| | 8050420851 | Control panel WISA 2100 top bright chrome |

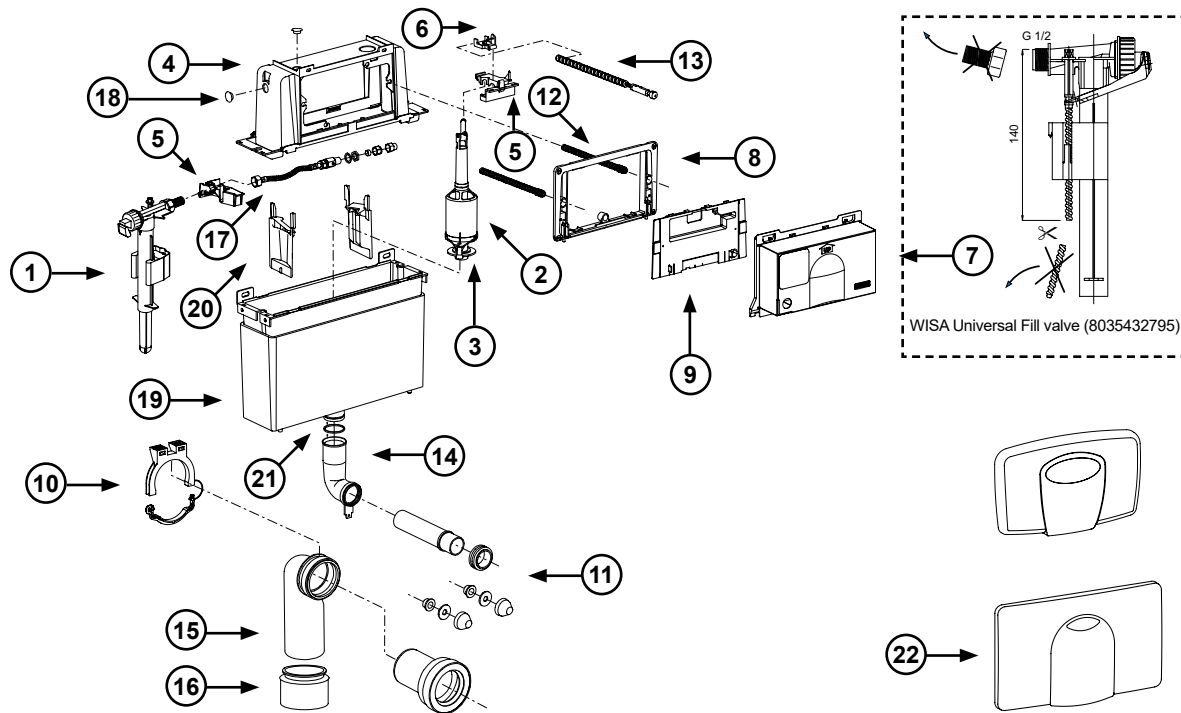
WISA 2136



| Pos. | WISA Art. nr. | Description |
|------|---------------|--|
| 1 | 8035432795 | Fill valve HVK G 3/8 |
| 2 | 8050801523 | Flush valve 2100 DF including rubber seal |
| 3 | 8035390111 | Rubber seal |
| 4 | 8050887102 | Cistern lid |
| 5 | 8050390110 | Bridging piece including lever and support valve (new model) |
| 6 | 8050887110 | Lever |
| 7 | 8050887140 | Masonry aid |
| 8 | 8050887130 | Wall mounting frame for WISA 2100 front panels |
| 9 | 8050887114 | Closing plate WISA 2100 |
| 10 | 8050887097 | Discharge elbow fixation bracket |
| 11 | 8050390080 | WC connection kit L=230 mm |
| | 8050390081 | WC connection kit L=300 mm |
| 12 | 8050390089 | Set of fixation pins and control pins for DF panels |
| 13 | 8050390105 | Control pin and head for DF panels |
| 14 | 8050887355 | Flush pipe WISA XS with tongue |
| | 8050390061 | Set rubber seals for flush pipe and discharge elbow 90 mm |
| 15 | 8050887362 | Discharge elbow PE 90 x 90 mm |
| 16 | 8050887363 | Adaptor 90 x 110 mm |
| 17 | 8050802330 | Water connection flexible hose 1/2" |
| | 8050802331 | Water connection flexible hose 12 mm |
| 18 | 8050887157 | Closing cap |
| 19 | 8050887101 | Flushing tank - bottom part |
| 20 | 8050887106 | Tank separation |
| | 1601988575 | O-ring seal 44,5 mm |
| 22 | 8050420730 | Control panel 2100 DF white |
| | 8050420737 | Control panel 2100 DF pergamon |
| | 8050420759 | Control panel 2100 DF matt chrome |
| | 8050420751 | Control panel 2100 DF bright chrome |

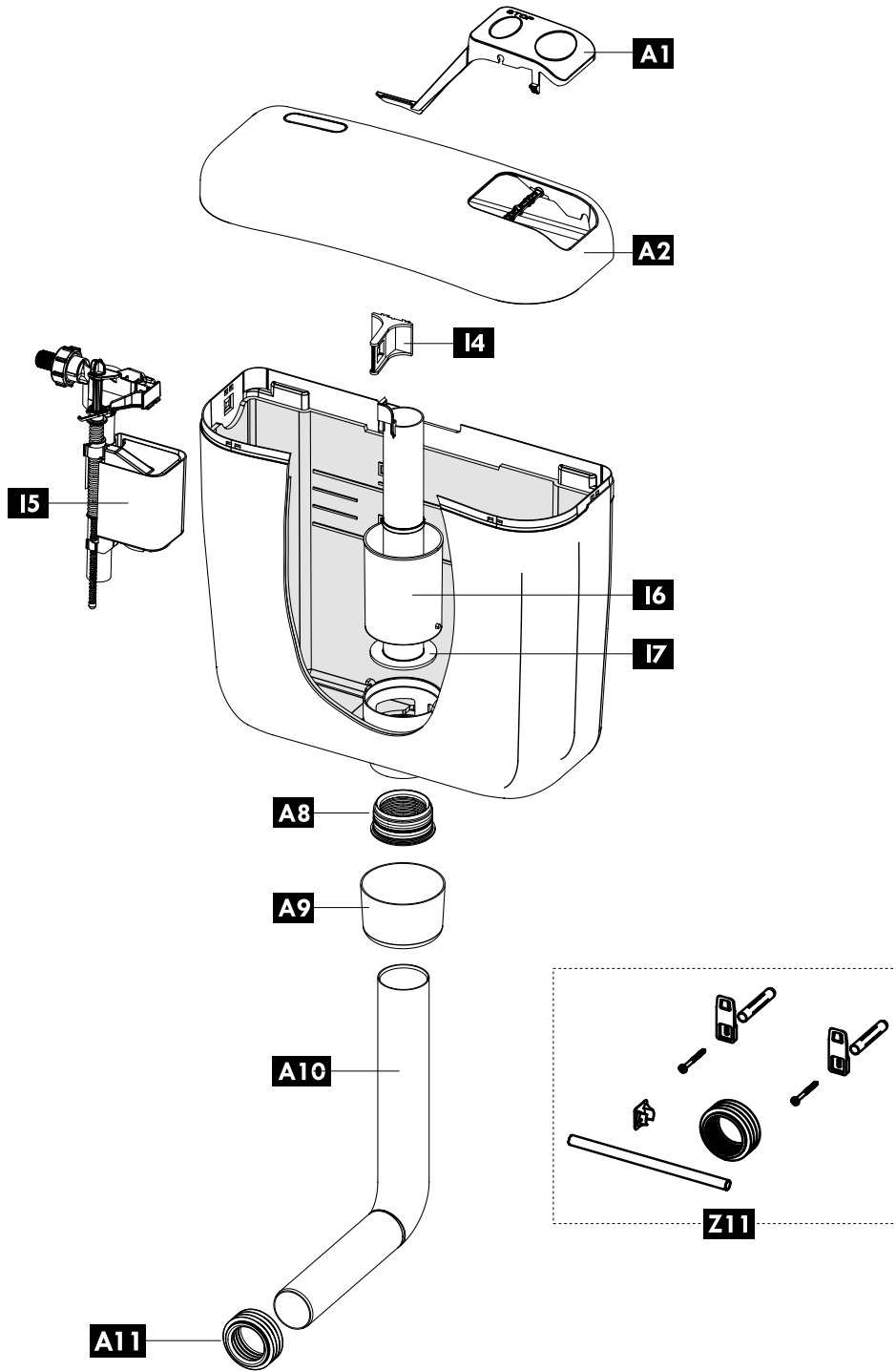
* Last production 2001

WISA 2100



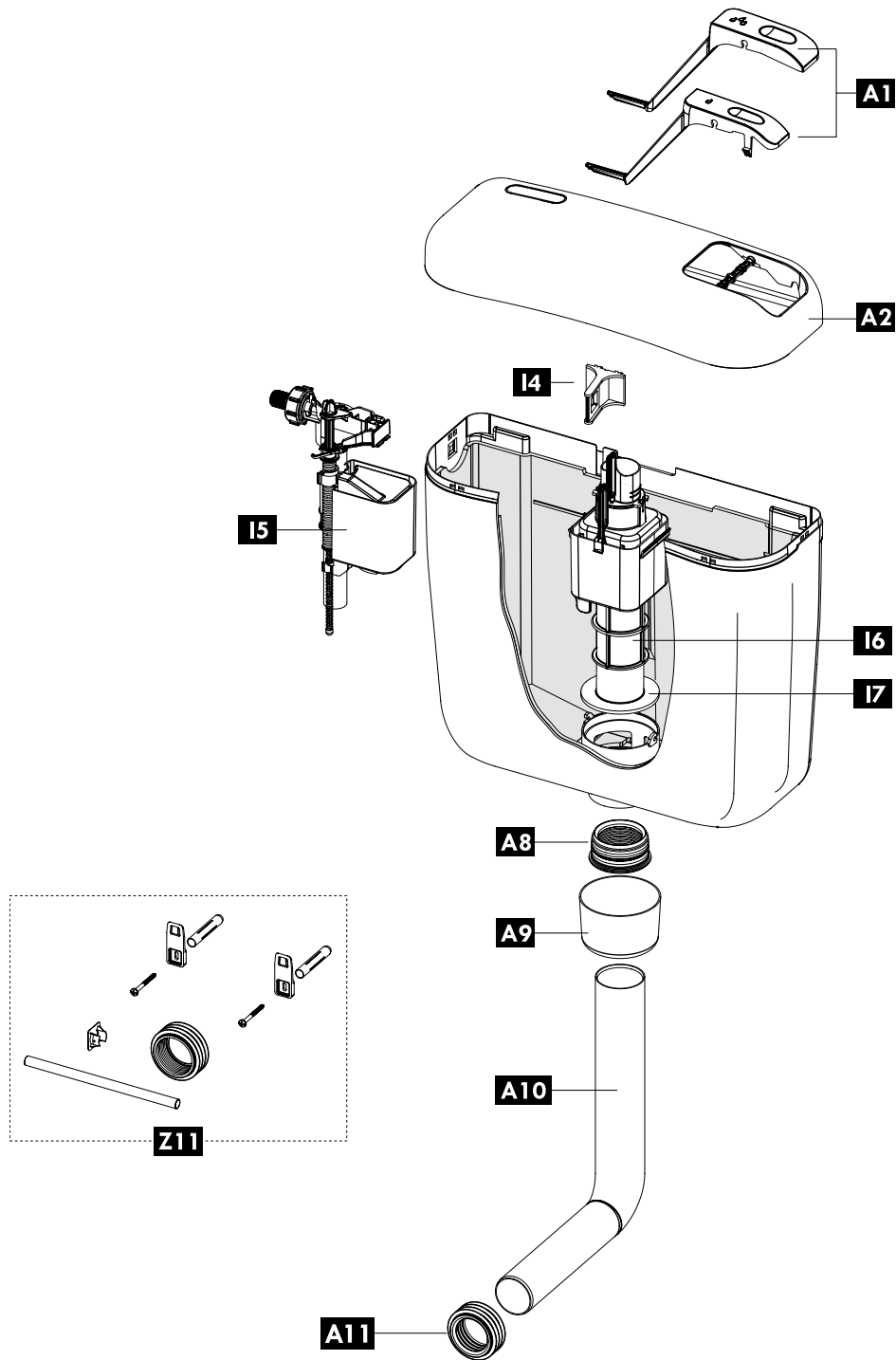
| Pos. | WISA Art. nr. | Description |
|------|---------------|---|
| 1 | 8035432795 | Fill valve HVK G 3/8 |
| 2 | 8050800511 | Flush valve for WISA 2100/2102 |
| | 8050800525 | Flush valve for WISA 2100 with pneumatic |
| 3 | 1411988440 | Flush valve rubber seal |
| 4 | 8050887102 | Cistern lid |
| 5 | 8050390110 | Bridging piece including lever and support valve |
| 6 | 8050887110 | Lever |
| 7 | 8050887140 | Masonry aid |
| 8 | 8050887130 | Wall mounting frame for WISA 2100 front panels |
| 9 | 8050887114 | Closing plate WISA 2100 |
| 10 | 8050887097 | Discharge elbow fixation bracket |
| 11 | 8050390080 | WC connection kit, Ø 90 mm, L=230 mm |
| | 8050390081 | WC connection kit, Ø 90 mm, L=300 mm |
| 12 | 8050390077 | Set of fixation pins and control pins for FI panels |
| 13 | 8050390104 | Control pin and head for FI panels |
| 14 | 8050887355 | Flush pipe WISA XS with tongue |
| | 8050390061 | Set rubber seals for flush pipe and discharge elbow 90 mm |
| 15 | 8050390090 | Discharge elbow Ø 90 / 90 mm |
| 16 | 8050390091 | Adaptor Ø 90 / 110 mm |
| 17 | 8050802330 | Water connection flexible hose 1/2" |
| | 8050802331 | Water connection flexible hose 12 mm |
| 18 | 8050887157 | Closing cap |
| 19 | 8050887101 | Flushing tank - bottom part |
| 20 | 8050887106 | Intermediate piece |
| 21 | 1601988575 | O-ring seal, 44,5 mm |
| 22 | 8050420600 | Control panel 2100 FI white |
| | 8050420607 | Control panel 2100 FI pergamon |
| | 8050420629 | Control panel 2100 FI mattchrom |
| | 8050420651 | Control panel 2100 FI glanzchrom |

AP100



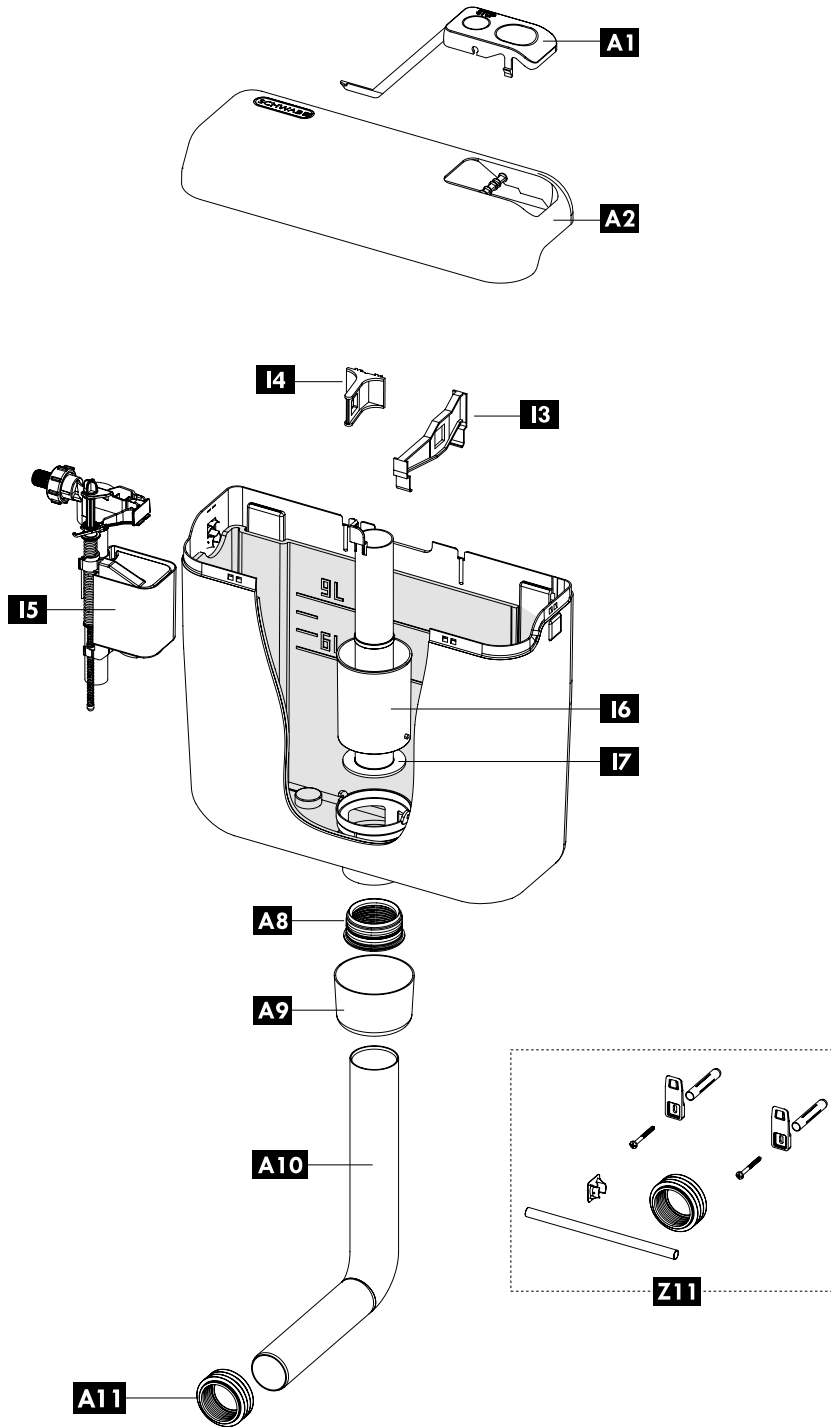
| Pos | Art. nr. | EAN-Code | Description | Color | Details |
|------|----------|---------------|-----------------------------|-------|-------------------------|
| A 1 | 606399 | 3838912028815 | Function button | white | |
| A 2 | 606406 | 3838912028921 | Flushing cistern cover | white | without function button |
| A 8 | 243281 | 3838912032911 | Flush pipe gasket | | |
| A 9 | 243277 | 3838912032928 | Rosette | white | |
| A 10 | 607359 | 3838912029720 | Flush pipe elbow | white | |
| A 10 | 674830 | 3838912063250 | Flushing elbow 325 x 220 mm | white | |
| A 11 | 358778 | 3838912061195 | Seal for toilet bowl | | |
| I 4 | 243285 | 3838912033024 | Fill valve retainer | | |
| I 5 | 628458 | 3838912038012 | Fill valve | | |
| I 6 | 605920 | 3838912028112 | Flush valve | | complete with seal |
| I 7 | 243275 | 3838912033918 | Valve seal | | |
| Z 11 | 242859 | 3838912034021 | Service pack | | |

AP102



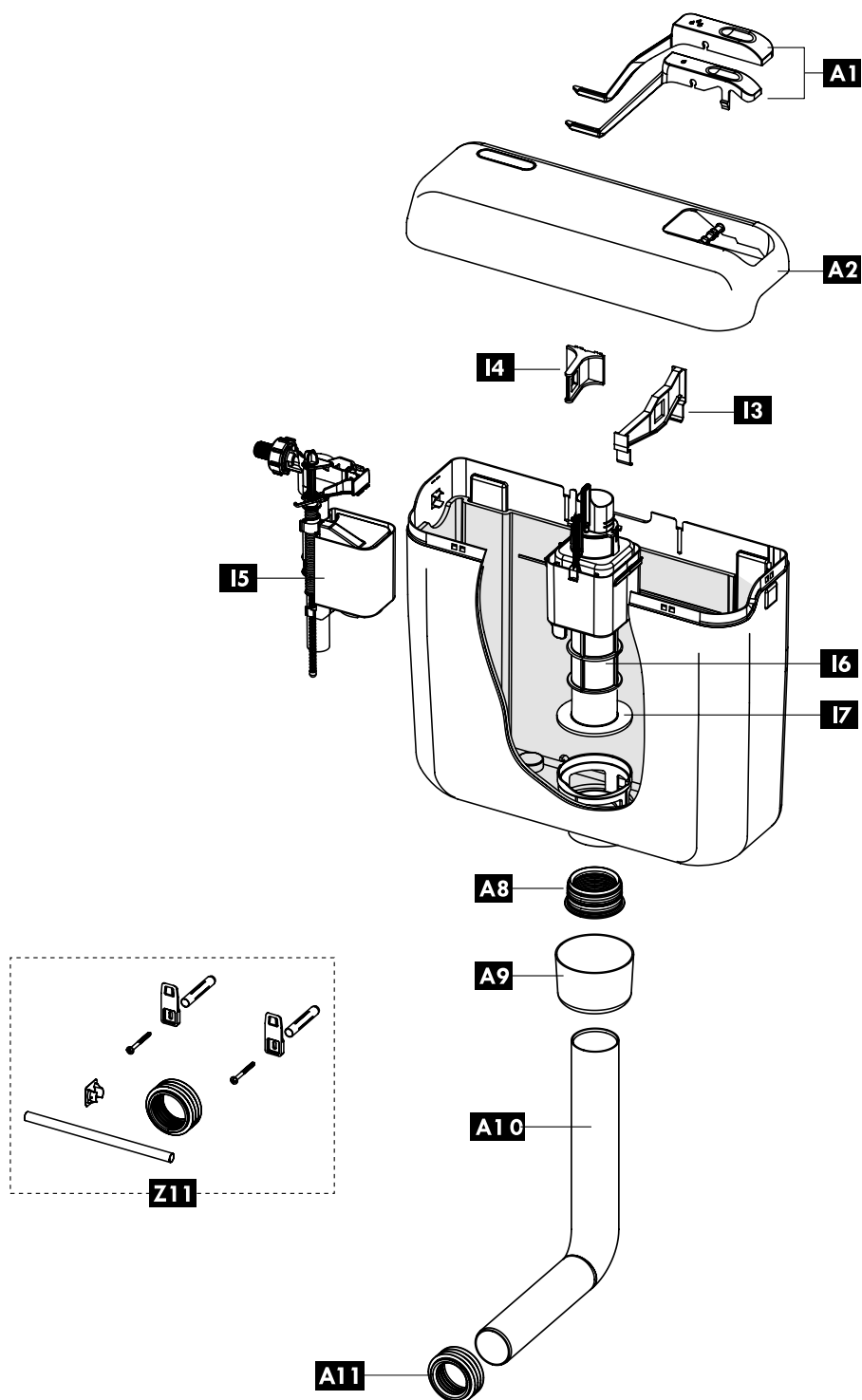
| Pos. | Art. nr. | EAN-Code | Description | Color | Details |
|------|----------|---------------|-----------------------------|-------|--------------------------|
| A 1 | 606407 | 3838912029003 | Function buttons | white | |
| A 2 | 606406 | 3838912028921 | Flushing cistern cover | white | without function buttons |
| A 8 | 243281 | 3838912032911 | Flush pipe gasket | | |
| A 9 | 243277 | 3838912032928 | Rosette | white | |
| A 10 | 607359 | 3838912029720 | Flush pipe elbow | white | |
| A 10 | 674830 | 3838912063250 | Flushing elbow 325 x 220 mm | white | |
| A 11 | 358778 | 3838912061195 | Seal for toilet bowl | | |
| I 4 | 243285 | 3838912033024 | Fill valve retainer | | |
| I 5 | 628458 | 3838912038012 | Fill valve | | |
| I 6 | 243280 | 3838912033109 | Flush valve | | complete with seal |
| I 7 | 243275 | 3838912033918 | Valve seal | | |
| Z 11 | 242859 | 3838912034021 | Service pack | | |

AP120



| Pos. | Art. nr. | EAN-Code | Description | Color | Details |
|------|----------|---------------|-----------------------------|-------|-------------------------|
| A 1 | 606396 | 3838912028617 | Function button | white | |
| A 2 | 606405 | 3838912028907 | Flushing cistern cover | white | without function button |
| A 8 | 243281 | 3838912032911 | Flush pipe gasket | | |
| A 9 | 243277 | 3838912032928 | Rosette | white | |
| A 10 | 607359 | 3838912029720 | Flush pipe elbow | white | |
| A 10 | 674830 | 3838912063250 | Flushing elbow 325 x 220 mm | white | |
| A 11 | 358778 | 3838912061195 | Seal for toilet bowl | | |
| I 3 | 243282 | 3838912033017 | Fill valve retainer 1 | | |
| I 4 | 243285 | 3838912033024 | Fill valve retainer 2 | | |
| I 5 | 607354 | 3838912029607 | Fill valve | | |
| I 6 | 605920 | 3838912028112 | Flush valve | | complete with seal |
| I 7 | 243275 | 3838912033918 | Valve seal | | |
| Z 11 | 242859 | 3838912034021 | Service pack | | |

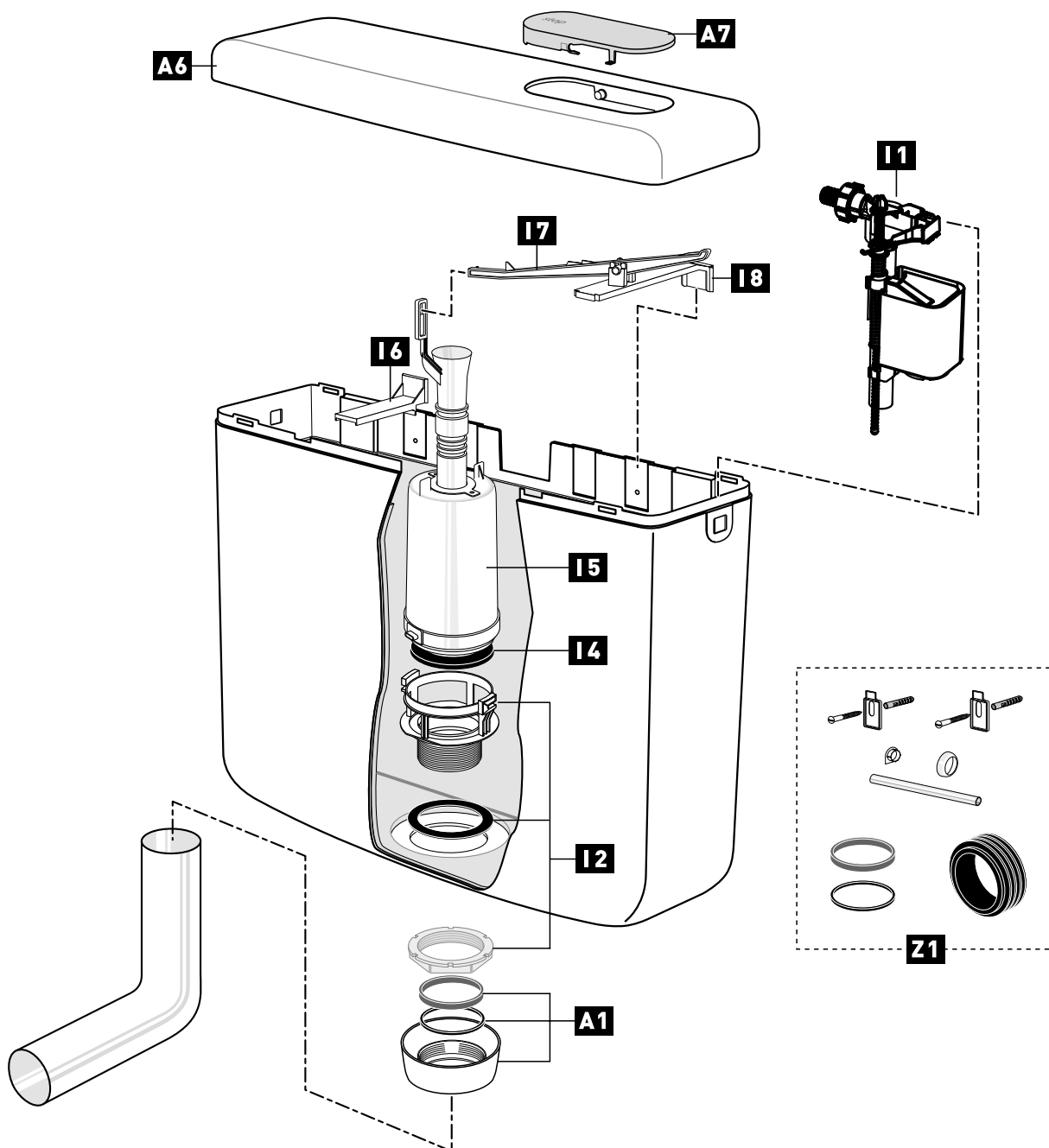
AP122 (122.00XX)



| Pos. | Art. nr. | EAN-Code | Description | Color | Details |
|------|----------|---------------|-----------------------------|-------|--------------------------|
| A 1 | 243276 | 3838912032829 | Function buttons | white | |
| A 2 | 243278 | 3838912032904 | Flushing cistern cover | white | without function buttons |
| A 8 | 243281 | 3838912032911 | Flush pipe gasket | | |
| A 9 | 243277 | 3838912032928 | Rosette | white | |
| A 10 | 674830 | 3838912063250 | Flushing elbow 325 x 220 mm | white | |
| A 11 | 358778 | 3838912061195 | Seal for toilet bowl | | |
| I 3 | 243282 | 3838912033017 | Fill valve retainer 1 | | |
| I 4 | 243285 | 3838912033024 | Fill valve retainer 2 | | |
| I 5 | 628458 | 3838912038012 | Fill valve | | |
| I 6 | 243280 | 3838912033109 | Flush valve | | complete with seal |
| I 7 | 243275 | 3838912033918 | Valve seal | | |
| Z 11 | 242859 | 3838912034021 | Service pack | | |

AP160 (160.00XX / 60.000)

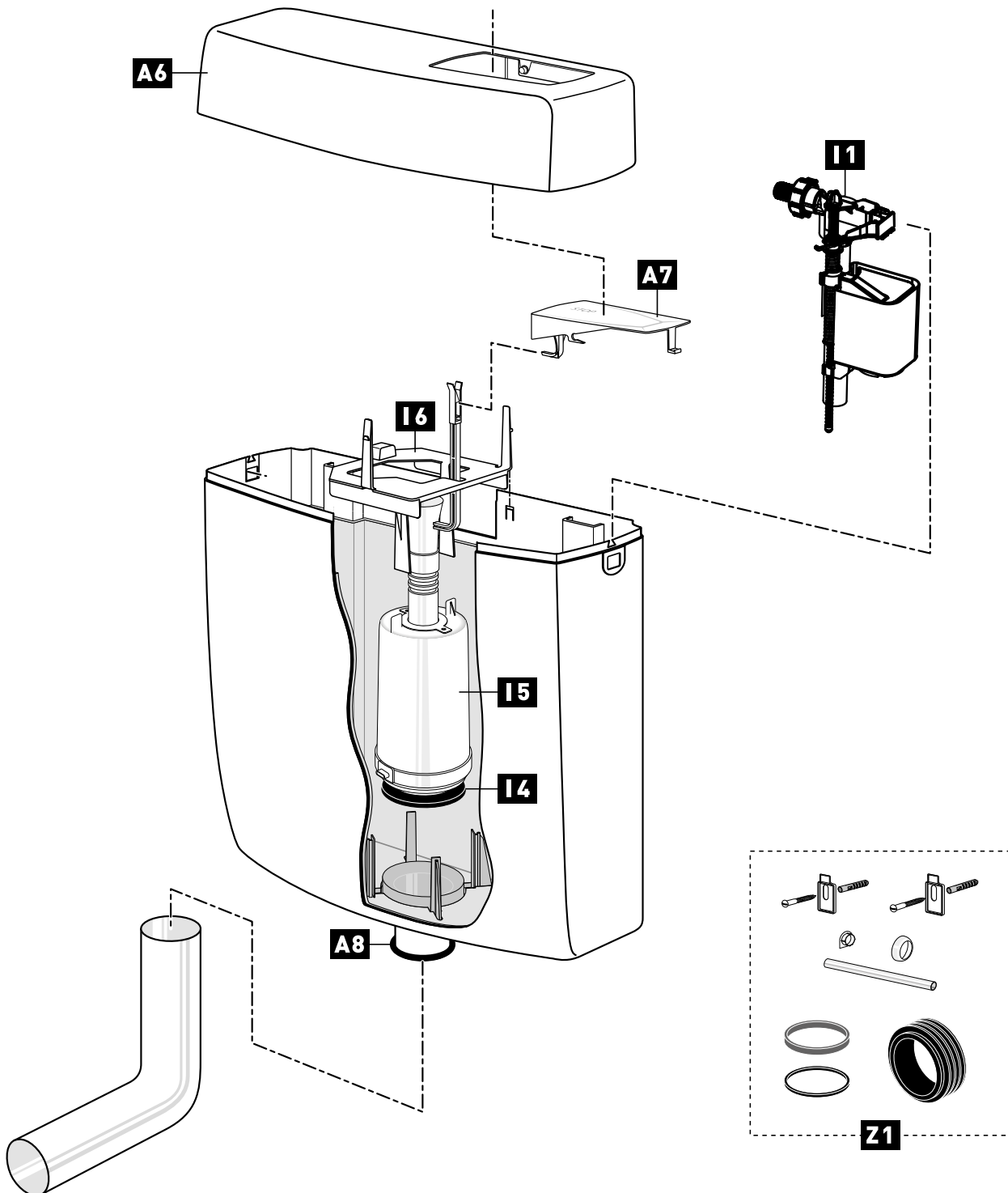
since 1985 to 1989, P-IX 3369/I, since 1989, P-IX 3340/I



| Pos. | Art. nr. | EAN-Code | Description | Color | Details |
|------|------------|---------------|------------------------|-------|-----------------------------|
| A 1 | 363776 | 4016817024159 | Rosette | white | with gasket + abrasive ring |
| A 6 | 251567 | 3838912033826 | Flushing cistern cover | white | with function button |
| A 7 | 228575 | 3838912032706 | Function button | white | |
| I 1 | 628458 | 3838912038012 | Fill valve | | |
| | 4060432572 | 8711778212701 | Fill valve | | |
| I 2 | 251166 | 3838912033819 | Valve seat | | complete |
| I 4 | 351517 | 3838912033901 | Valve seal | | |
| I 5 | 239201 | 3838912032713 | Flush valve | | complete with seal |
| I 6 | 239331 | 3838912032720 | Support bracket | | |
| I 7 | 241332 | 3838912032805 | Actuation lever | | |
| I 8 | 228580 | 3838912032812 | Lever support | | |
| Z 1 | 365135 | 3838912033802 | Service pack | | |

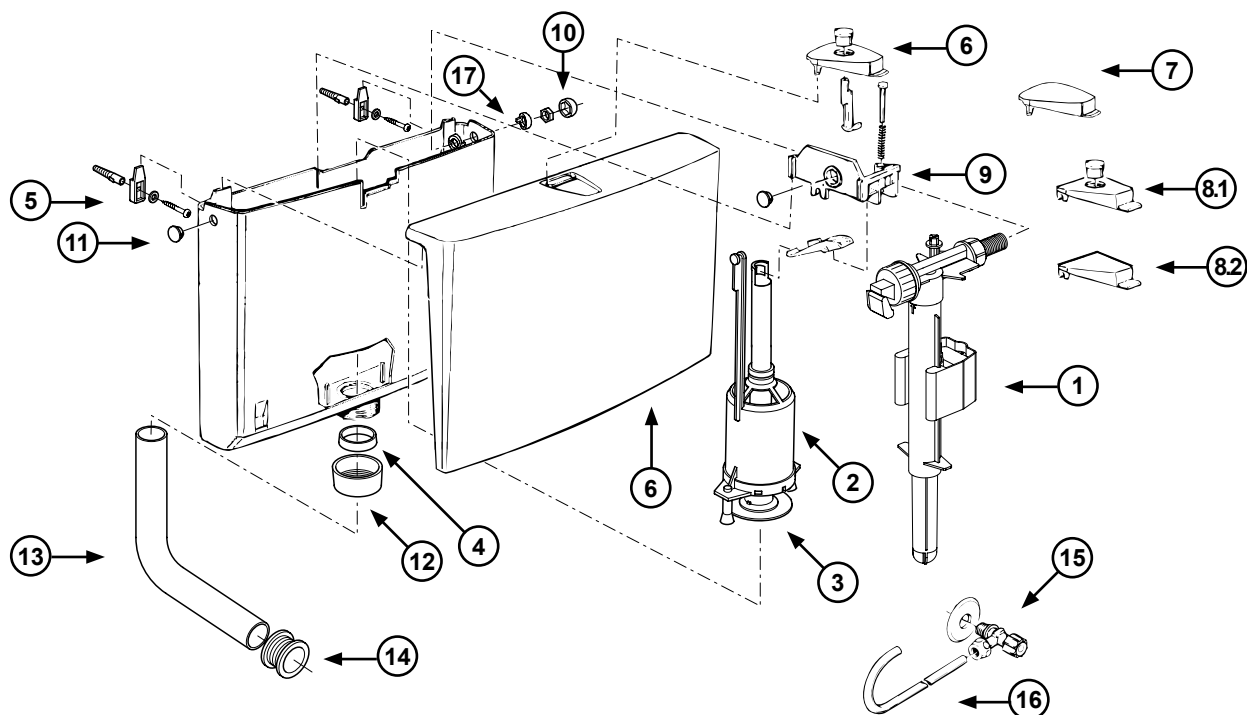
AP170 (170.00XX)

since 1993, P-IX 3622/I



| Pos. | Art. nr. | EAN-Code | Description | Color | Details |
|------|--------------|---------------|------------------------|-------|-------------------------------------|
| A 6 | 236918 | 3838912033116 | Flushing cistern cover | white | with function button |
| A 7 | 234125 | 3838912033123 | Function button | white | |
| A 8 | 363808 | 4016817026061 | O-Ring | | for outlet connection |
| | 674429 | 3838912063113 | O-Ring | | for outlet connection, from 06/2018 |
| I 1 | 628458 | 3838912038012 | Fill valve | | |
| | 747E-037-P20 | 3838912063502 | Fill valve 747 G 3/8 | | |
| I 4 | 351517 | 3838912033901 | Valve seal | | |
| I 5 | 251565 | 3838912033208 | Flush valve | | complete with seal |
| I 6 | 239332 | 3838912033215 | Bridge | | |
| Z 1 | 365135 | 3838912033802 | Service pack | | |

AP220 / WISA 500

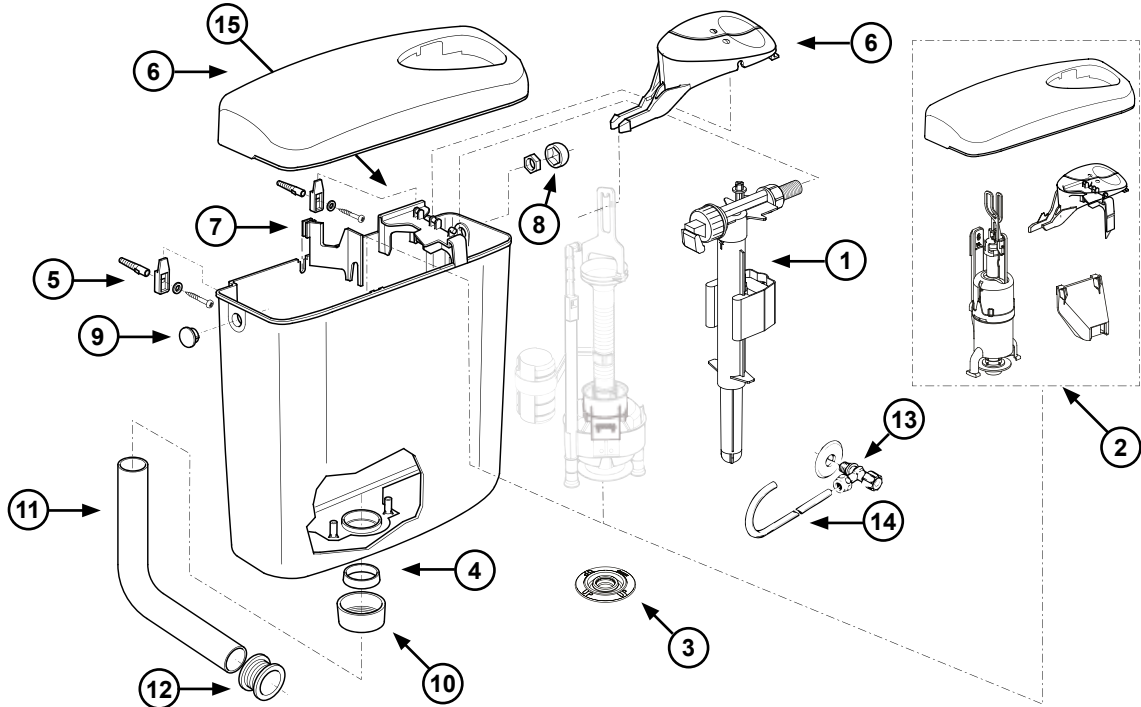


Due to modifications to the lid, the old buttons no longer fit the new lids. You can order the old model buttons separately. New lids are only available with buttons included. The new lid fits on old cisterns.

| Pos. | WISA Art. nr. | Description |
|------|---------------|---|
| 1 | 8035432795 | Fill valve HVK G 3/8 |
| 2 | 8050800504 | Flush valve including rubber seal |
| 3 | 1411988440 | Flush valve rubber seal 28 x 65 x 3 |
| | 8050390037 | Bag of flush valve rubber seal 28 x 65 x 3 (5 pc.) |
| | 1411988436 | Flush valve rubber seal (old model) |
| 4 | 8050882450 | Seal for flush pipe |
| | 8050390025 | Bag of seal for flush pipe (5 pc.) |
| 5 | 8050800078 | Fixation kit including seal for flush pipe |
| 6 | 8050411201 | Cover and buttons white |
| | 8050411203 | Cover and buttons beige |
| | 8050411214 | Cover and buttons pergamon |
| 7 | 8050899149 | Button white (new model, without interruption) |
| 8.1 | 8050411901 | Button WISA 500 white (old model) |
| 8.2 | 8050885500 | Button WISA 500 white (old model, without flush interruption) |
| | 8050885400 | Button WISA 500 black (old model, without flush interruption) |
| 9 | 8050800198 | Bridging piece complete |
| 10 | 8050882382 | Nut cover cap white |
| | 8050886394 | Nut cover cap beige |
| | 8050886397 | Nut cover cap pergamon |
| | 8050886379 | Nut cover cap manhattan |
| 11 | 8050882480 | Closing cap white |
| | 8050390067 | Bag of closing cap white (5 pc.) |
| | 8050882482 | Closing cap beige |
| | 8050886237 | Closing cap pergamon |
| | 8050886249 | Closing cap manhattan |
| 12 | 8050882430 | Nut for flush pipe white |
| | 8050390002 | Bag of nut for flush pipe white (5 pc.) |
| | 8050882432 | Nut for flush pipe beige |
| | 8050882227 | Nut for flush pipe pergamon |
| | 8050882224 | Nut for flush pipe manhattan |
| 13 | 8050110101 | Flush pipe 230 x 210 white |
| | 8050110103 | Flush pipe 230 x 210 beige |
| | 8050110114 | Flush pipe 230 x 210 pergamon |
| | 8050110110 | Flush pipe 230 x 210 manhattan |
| 14 | 8050985530 | Flush pipe connector |
| | 8050390093 | Bag of flush pipe connector (5 pc.) |
| 15 | 1403987112 | stop valve 1/2" |
| 16 | 1405987117 | Copper connection pipe |
| 17 | 8050882490 | Fixation ring |

AP230 / WISA 336 DF

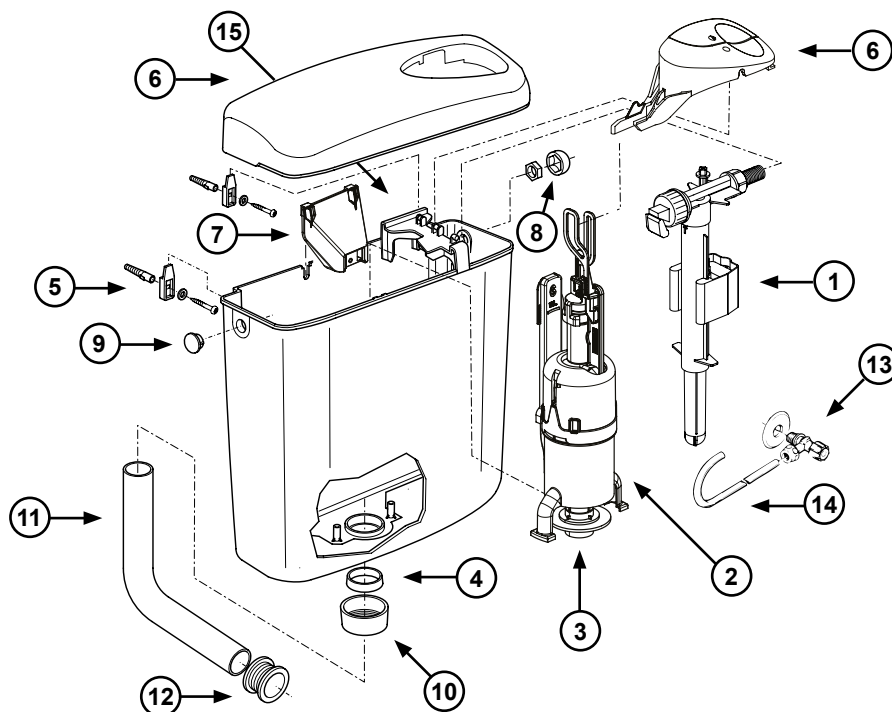
Until 06 / 2020



| Pos. | WISA Art. nr. | Description |
|------|---------------|---|
| 1 | 8035432795 | Fill valve HVK G 3/8 |
| 2 | 8050800101 | Flush valve with gasket, cistern cover with buttons - white |
| 3 | 8035390111 | Rubber seal |
| 4 | 8050882450 | Seal for flush pipe |
| 5 | 8050800078 | Fixation kit including seal for flush pipe |
| 6 | 8050411401 | Cover white including buttons |
| | 8050412601 | Buttons white |
| 7 | 8050883276FM | Bridging piece |
| 8 | 8050882382 | Nut cover cap white |
| 9 | 8050882480 | Closing cap white |
| 10 | 8050882430 | Nut for flush pipe white |
| 11 | 8050110101 | Flush pipe 230 x 210 white |
| 12 | 8050985530 | Flush pipe connector |
| 13 | 1403987112 | Stop valve 1/2" |
| 14 | 1405987116 | Copper connection pipe |
| 15 | 8050883649 | Bridging piece buttons |

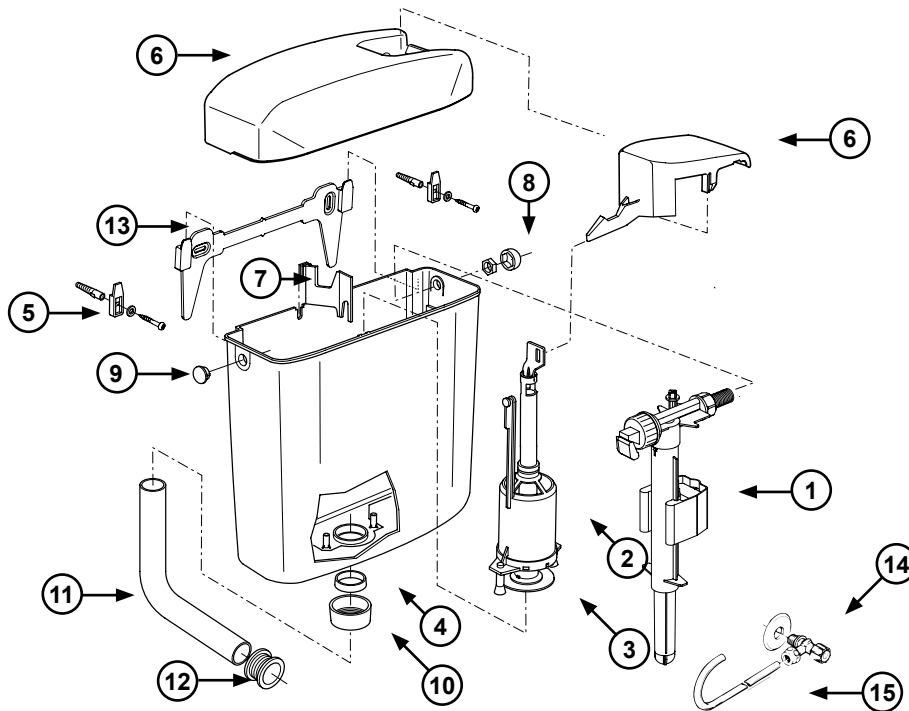
AP230 / WISA 336 DF

Untill 07 / 2020



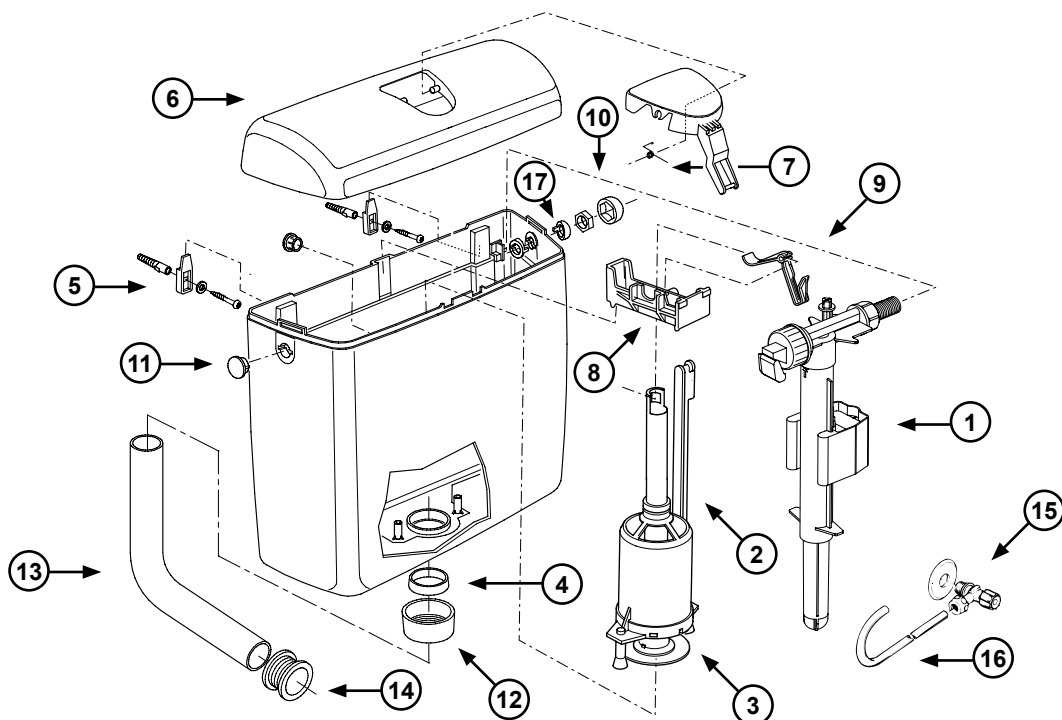
| Pos. | WISA Art. nr. | Description |
|------|---------------|--|
| 1 | 8035432795 | Fill valve HVK G 3/8 |
| 2 | 8050801518 | Flush valve with gasket |
| 3 | 8035390111 | Rubber seal |
| 4 | 8050882450 | Seal for flush pipe |
| 5 | 8050800078 | Fixation kit including seal for flush pipe |
| 6 | 8050411401 | Cover white including buttons |
| | 8050412601 | Buttons white |
| 7 | 8050887260 | Bridging piece |
| 8 | 8050882382 | Nut cover cap white |
| 9 | 8050882480 | Closing cap white |
| 10 | 8050882430 | Nut for flush pipe white |
| 11 | 8050110101 | Flush pipe 230 x 210 white |
| 12 | 8050985530 | Flush pipe connector |
| | 1403987112 | Stop valve 1/2" |
| 14 | 1405987116 | Copper connection pipe |
| 15 | 8050883649 | Bridging piece buttons |

AP260 / WISA 470



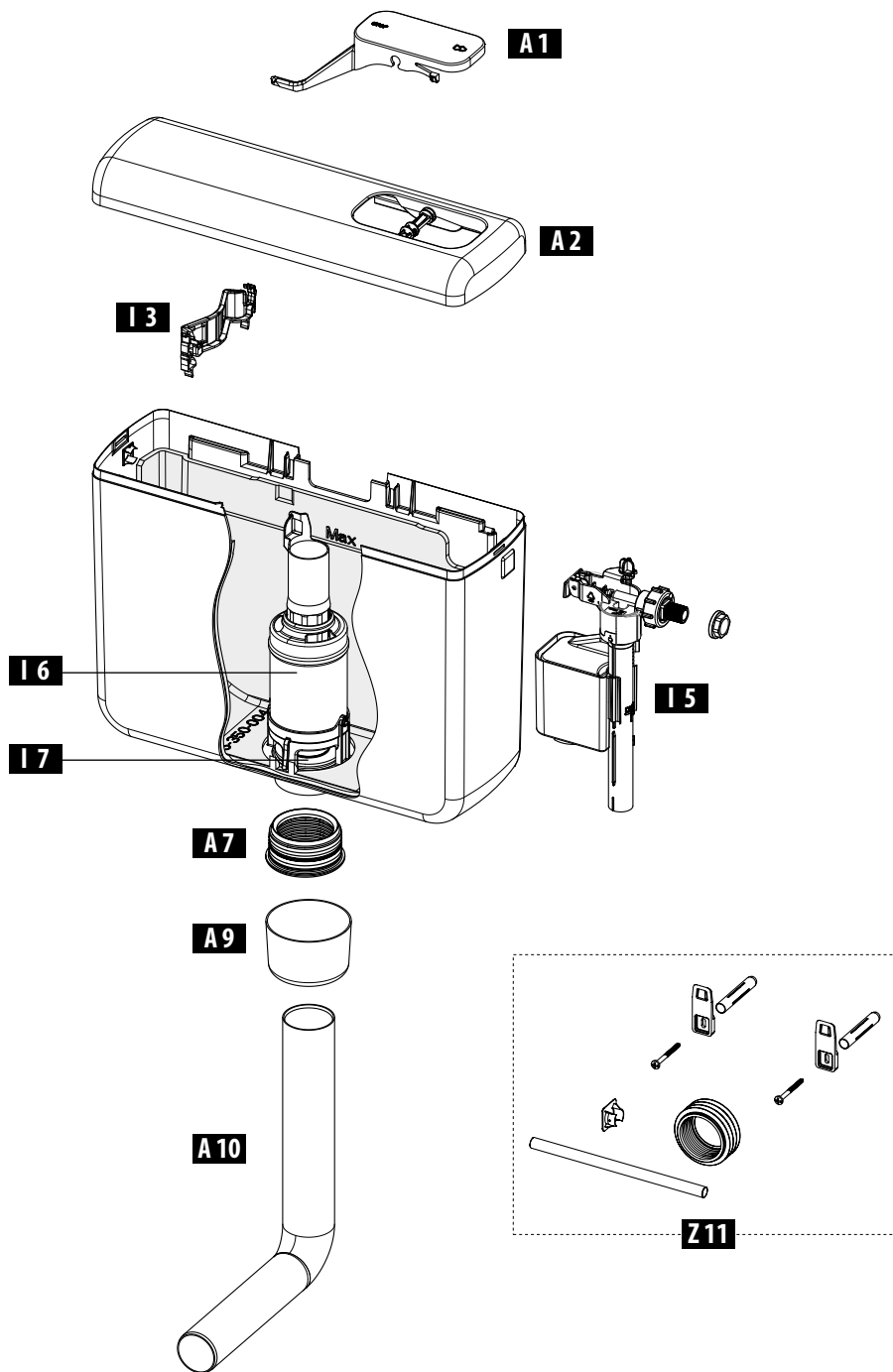
| Pos. | WISA Art. nr. | Description |
|------|---------------|---|
| 1 | 8035432795 | Fill valve HVK G 3/8 |
| 2 | 8050800527 | Flush valve including rubber seal |
| 3 | 1411988440 | Flush valve rubber seal |
| 4 | 8050882450 | Seal for flush pipe |
| 5 | 8050800078 | Fixation kit including seal for flush pipe (8050882450) |
| 6 | 8050410301 | Cover with flushing button - white |
| | 8050410303 | Cover with flushing button - beige |
| | 8050887960 | Cover with flushing button - manhattan |
| | 8050887964 | Cover with flushing button - pergamon |
| 7 | 8050883276FM | Bridging piece |
| 8 | 8050882382 | Nut cover cap - white |
| | 8050886394 | Nut cover cap - beige |
| | 8050886379 | Nut cover cap - manhattan |
| | 8050886397 | Nut cover cap - pergamon |
| 9 | 8050882480 | Closing cap - white |
| | 8050882482 | Closing cap - beige |
| | 8050886249 | Closing cap - manhattan |
| | 8050886237 | Closing cap - pergamon |
| 10 | 8050882430 | Nut for flush pipe - white |
| | 8050882432 | Nut for flush pipe - beige |
| | 8050882224 | Nut for flush pipe - manhattan |
| | 8050882227 | Nut for flush pipe - pergamon |
| 11 | 8050110101 | Flush pipe 230 x 210 - white |
| | 8050110103 | Flush pipe 230 x 210 - beige |
| | 8050110110 | Flush pipe 230 x 210 - manhattan |
| | 8050110114 | Flush pipe 230 x 210 - pergamon |
| 12 | 8050985530 | Flush pipe connector |
| 13 | 8050885205 | Mounting bracket |
| 14 | 1403987112 | Stop valve 1/2" |
| 15 | 1405987116 | Copper connection pipe |

AP270 / WISA 1000



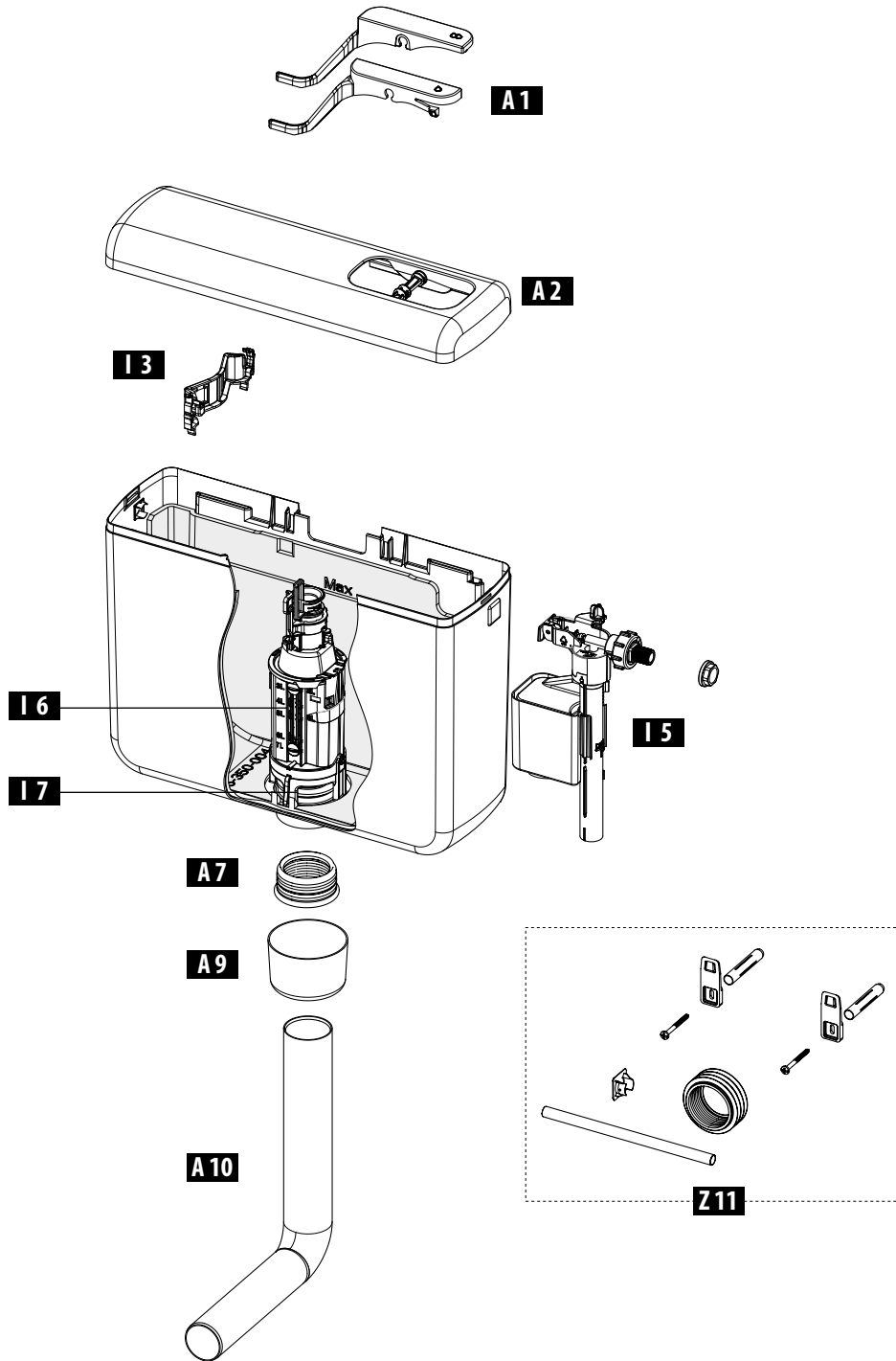
| Pos. | WISA Art. nr. | Description |
|------|---------------|---|
| 1 | 8035432795 | Fill valve HVK G 3/8 |
| 2 | 8050800507 | Flush valve with gasket |
| 3 | 1411988440 | Flush valve rubber seal |
| 4 | 8050882450 | Seal for flush pipe |
| 5 | 8050800078 | Fixation kit including seal for flush pipe (8050882450) |
| 6 | 8050410801 | Cover with flushing button - white |
| | 8050410803 | Cover with flushing button - beige |
| | 8050410814 | Cover with flushing button - pergamon |
| | 8050410810 | Cover with flushing button - manhattan |
| | 8050883533 | Cover with flushing button - bermuda |
| | 8050883536 | Cover with flushing button - mossy green |
| | 8050883539 | Cover with flushing button - curry |
| | 8050883543 | Cover with flushing button - caramel |
| | 8050883551 | Cover with flushing button - calypso |
| | 8050883556 | Cover with flushing button - bali brown |
| 7 | 1401980620 | Spring for push button |
| 8 | 8050883652 | Bridging piece for |
| 9 | 8050883653 | Lever for |
| 10 | 8050882382 | Nut cover cap - white |
| | 8050886394 | Nut cover cap - beige |
| | 8050886379 | Nut cover cap - manhattan |
| | 8050886397 | Nut cover cap - pergamon |
| 11 | 8050883750 | Closing cap - white |
| | 8050883752 | Closing cap - beige |
| | 8050883757 | Closing cap - pergamon |
| | 8050883769 | Closing cap - manhattan |
| 12 | 8050882430 | Nut for flush pipe - white |
| | 8050882432 | Nut for flush pipe - beige |
| | 8050882224 | Nut for flush pipe - manhattan |
| | 8050882227 | Nut for flush pipe - pergamon |
| 13 | 8050110101 | Flush pipe 230 x 210 - white |
| | 8050110103 | Flush pipe 230 x 210 - beige |
| | 8050110110 | Flush pipe 230 x 210 - manhattan |
| | 8050110114 | Flush pipe 230 x 210 - pergamon |
| 14 | 8050985530 | Flush pipe connector |
| 15 | 1403987112 | Stop valve 1/2" |
| 16 | 1405987118 | Copper connection pipe |
| 17 | 8050883620 | Fixation ring - white |
| | 8050883622 | Fixation ring - beige |
| | 8050883627 | Fixation ring - pergamon |
| | 8050883639 | Fixation ring - manhattan |

AP410



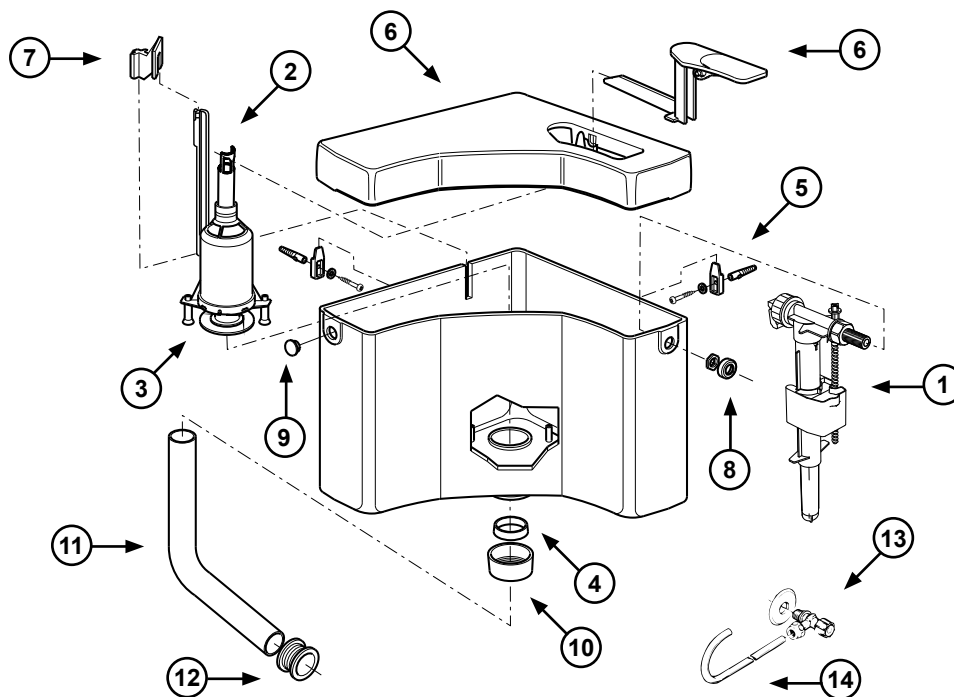
| Pos. | Art. nr. | EAN-Code | Description | Color | Details |
|------|----------|---------------|-----------------------------|-------|-------------------------|
| A 1 | 635735 | 3838912039422 | Function button | white | |
| A 2 | 635736 | 3838912039521 | Flushing cistern cover | white | without function button |
| A 7 | 243281 | 3838912032911 | Flush pipe gasket | | |
| A 9 | 243277 | 3838912032928 | Rosette | white | |
| A10 | 607359 | 3838912029720 | Flush pipe elbow | white | |
| A10 | 674830 | 3838912063250 | Flushing elbow 325 x 220 mm | white | |
| I 3 | 635739 | 3838912039828 | Fill valve retainer | | |
| I 5 | 628458 | 3838912038012 | Fill valve | | |
| I 6 | 635738 | 3838912039729 | Flush valve | | complete with seal |
| I 7 | 243275 | 3838912033918 | Valve seal | | |
| Z 11 | 242859 | 3838912034021 | Service pack | | |

AP412



| Pos. | Art. nr. | EAN-Code | Description | Color | Details |
|------|----------|---------------|-----------------------------|-------|--------------------------|
| A 1 | 635734 | 3838912039323 | Function buttons | white | |
| A 2 | 635736 | 3838912039521 | Flushing cistern cover | white | without function buttons |
| A 7 | 243281 | 3838912032911 | Flush pipe gasket | | |
| A 9 | 243277 | 3838912032928 | Rosette | white | |
| A10 | 607359 | 3838912029720 | Flush pipe elbow | white | |
| A10 | 674830 | 3838912063250 | Flushing elbow 325 x 220 mm | white | |
| I 3 | 635739 | 3838912039828 | Fill valve retainer | | |
| I 5 | 628458 | 3838912038012 | Fill valve | | |
| I 6 | 635737 | 3838912039620 | Flush valve | | complete with seal |
| I 7 | 243275 | 3838912033918 | Valve seal | | |
| Z 11 | 242859 | 3838912034021 | Service pack | | |

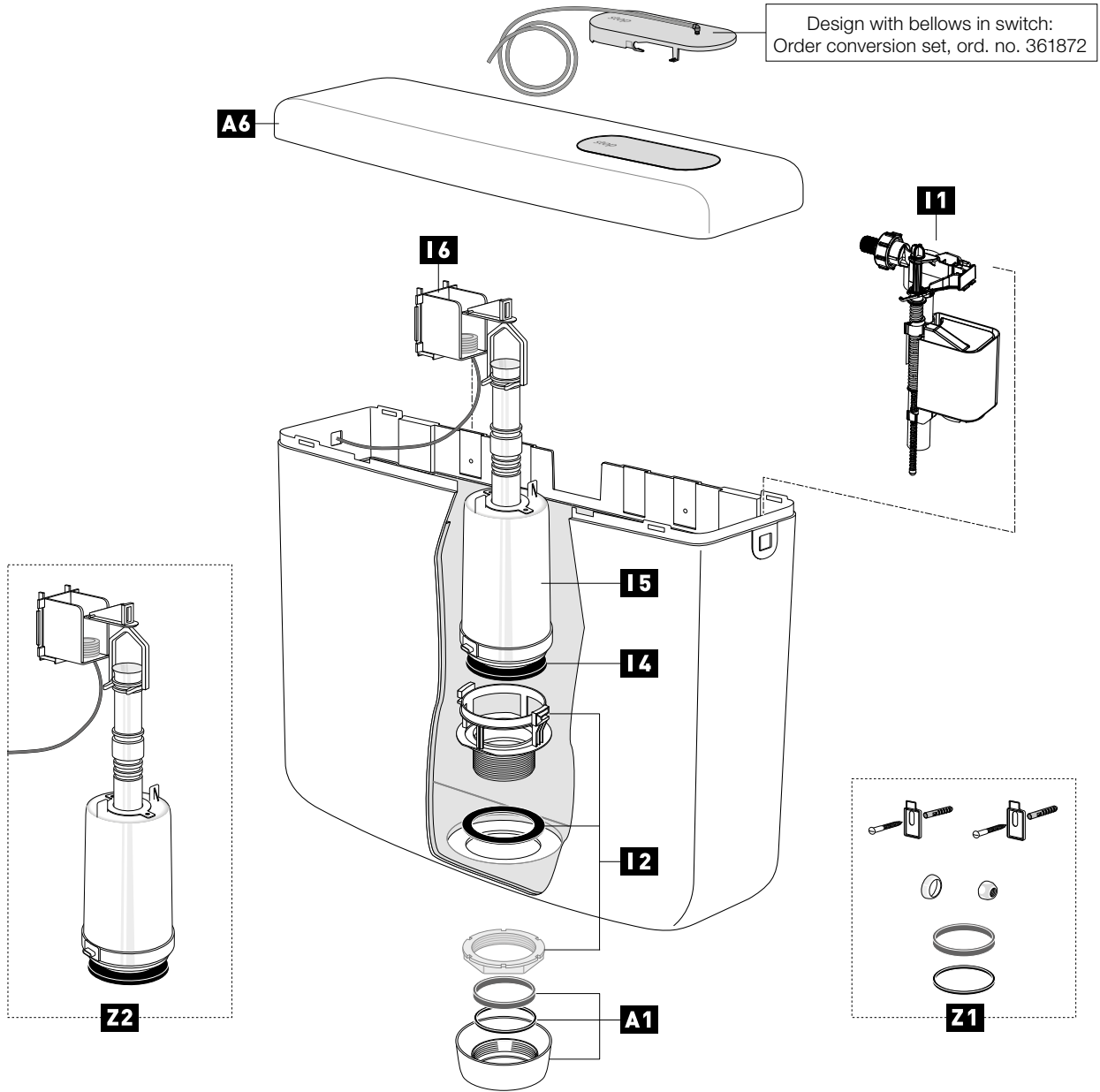
AP240 / WISA 444 (FROM SEPTEMBER 1999)



| Pos. | WISA Art. nr. | Description |
|------|---------------|--|
| 1 | 8035432795 | Fill valve HVK G 3/8 |
| 2 | 8050800500 | Flush valve including rubber seal |
| 3 | 1411988440 | Flush valve rubber seal 28 x 65 x 3 |
| | 8050390037 | Bag of flush valve rubber seal 28 x 65 x 3 (5 pc.) |
| 4 | 8050882450 | Seal for flush pipe |
| | 8050390025 | Bag of seal for flush pipe (5 pc.) |
| 5 | 8050800078 | Fixation kit including seal for flush pipe |
| 6 | 8050410401 | Cover and button white |
| | 8050410414 | Cover and button pergamon |
| | 8050411701 | Button white |
| 7 | 8050887076 | Bridging piece |
| 8 | 8050882382 | Nut cover cap white |
| | 8050886397 | Nut cover cap pergamon |
| 9 | 8050882480 | Closing cap white |
| | 8050390067 | Bag of closing cap white (5 pc.) |
| | 8050886237 | Closing cap pergamon |
| 10 | 8050882430 | Nut for flush pipe white |
| | 8050390002 | Bag of nut for flush pipe white (5 pc.) |
| | 8050882227 | Nut for flush pipe pergamon |
| 11 | 8050110101 | Flush pipe 230 x 210 white |
| | 8050110114 | Flush pipe 230 x 210 pergamon |
| 12 | 8050985530 | Flush pipe connector |
| | 8050390093 | Bag of flush pipe connector (5 pc.) |
| 13 | 1403987112 | Stop valve 1/2" |
| 14 | 1405987119 | Copper connection pipe |

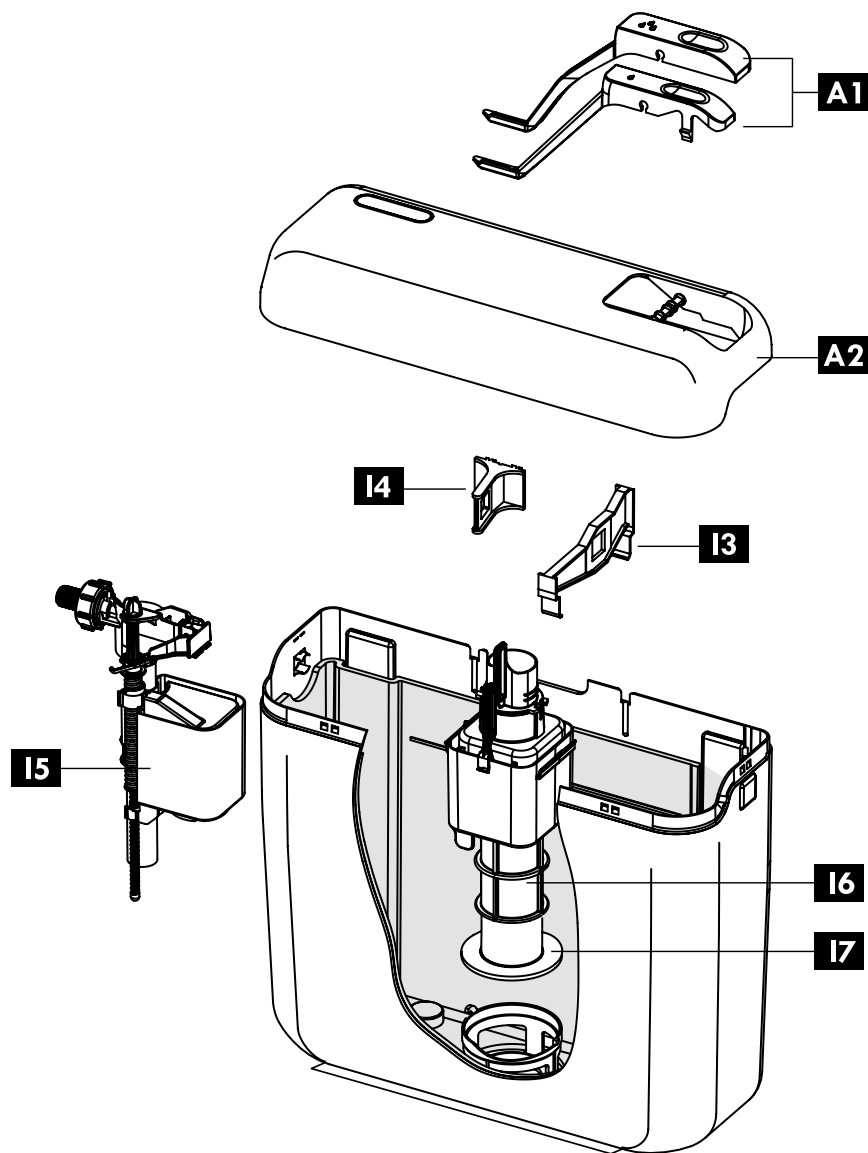
AP164 PNEUMATIC (164.1701 / 64.090)

for pneumatical activation



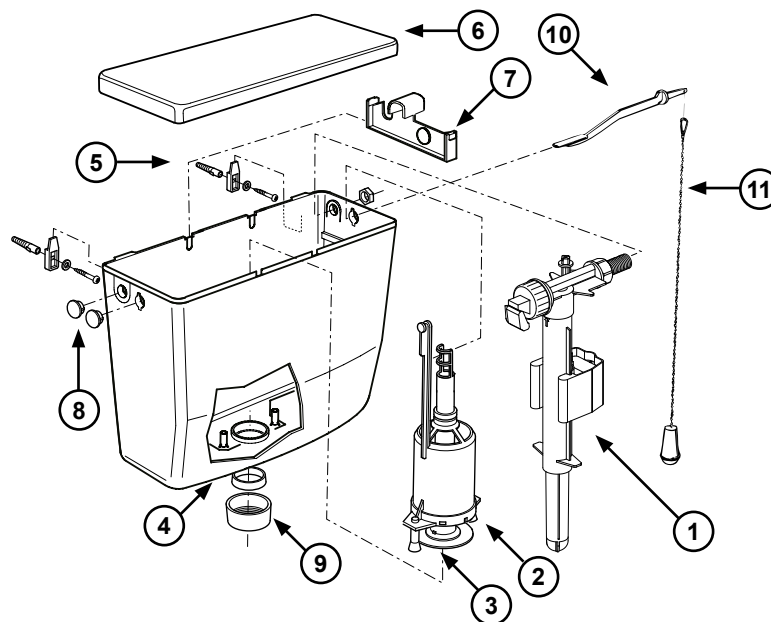
| Pos. | Art. nr. | EAN-Code | Description | Color | Details |
|------|--------------|---------------|--|-------|-----------------------------|
| A 1 | 363776 | 4016817024159 | Rosette | white | with gasket + abrasive ring |
| A 6 | 251567 | 3838912033826 | Flushing cistern cover | white | with function button |
| I 1 | 747E-036-P20 | 3838912063496 | 747 FILL VALVE | | |
| I 2 | 251166 | 3838912033819 | Valve seat | | complete |
| I 4 | 351517 | 3838912033901 | Valve seal | | |
| I 5 | 363780 | 4016817024463 | Flush valve | | complete with seal |
| I 6 | 363757 | 4016817026382 | Bellows bracket | | complete |
| Z 1 | 366306* | 3838912029317 | Service pack | | |
| Z 2 | 361872* | 3838912033222 | Conversion set for design with bellows | | |

AP122 MONOBLOCK



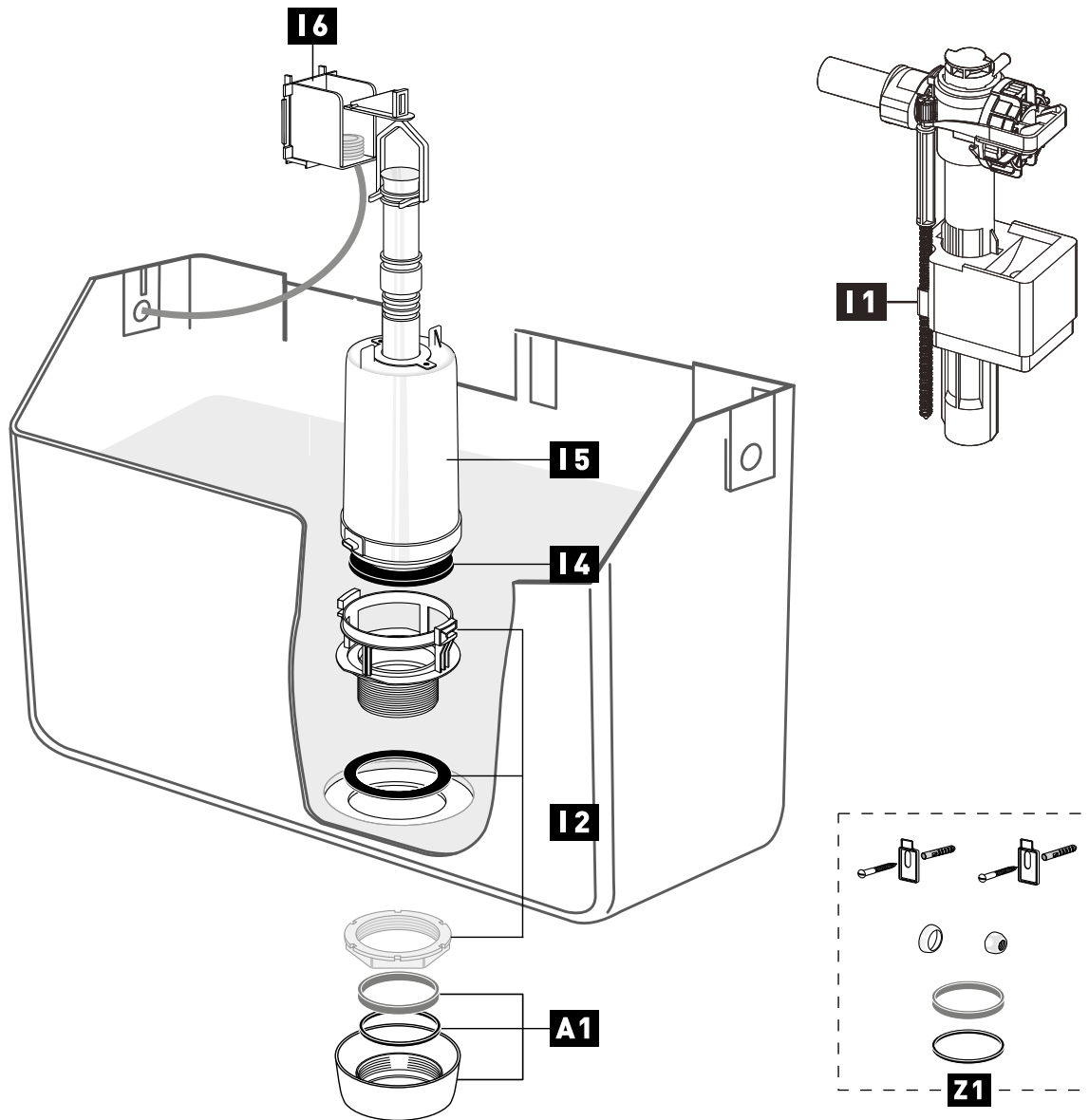
| Pos. | Art. nr. | EAN-Code | Description | Color | Details |
|------|----------|---------------|------------------------|-------|--------------------------|
| A 1 | 243276 | 3838912032829 | Function buttons | white | |
| A 2 | 243278 | 3838912032904 | Flushing cistern cover | white | without function buttons |
| 13 | 243282 | 3838912033017 | Fill valve retainer 1 | | |
| 14 | 243285 | 3838912033024 | Fill valve retainer 2 | | |
| 15 | 628458 | 3838912038012 | Fill valve | | |
| 16 | 243280 | 3838912033109 | Flush valve | | complete with seal |
| 17 | 243275 | 3838912033918 | Valve seal | | |

AP210 / WISA 285



| Pos. | WISA Art. nr. | Description |
|------|---------------|--|
| 1 | 8035432795 | Fill valve HVK G 3/8 |
| 2 | 8050800500 | Flush valve including rubber seal |
| 3 | 1411988440 | Flush valve rubber seal 28 x 65 x 3 |
| | 8050390037 | Bag of flush valve rubber seal 28 x 65 x 3 (5 pc.) |
| 4 | 8050882450 | Seal for flush pipe |
| | 8050390025 | Bag of seal for flush pipe (5 pc.) |
| 5 | 8050800078 | Fixation kit including seal for flush pipe |
| 6 | 8050411101 | Cover in carton |
| 7 | 8050881400 | Bridging piece |
| 8 | 8050882480 | Closing cap white |
| | 8050390067 | Bag of closing cap white (5 pc.) |
| 9 | 8050882430 | Nut for flushpipe white |
| | 8050390002 | Bag of nut for fluspipe white (5 pc.) |
| 10 | 1409986000 | Flush pipe white |
| 11 | 8050800080 | Fixation kit flush pipe |
| 12 | 8050882100 | Flow reducer white |
| 13 | 8050882050 | Lever |
| 14 | 1409986070 | Pull chain |
| 15 | 8050421550 | Flush interruption kit - pulling rod |

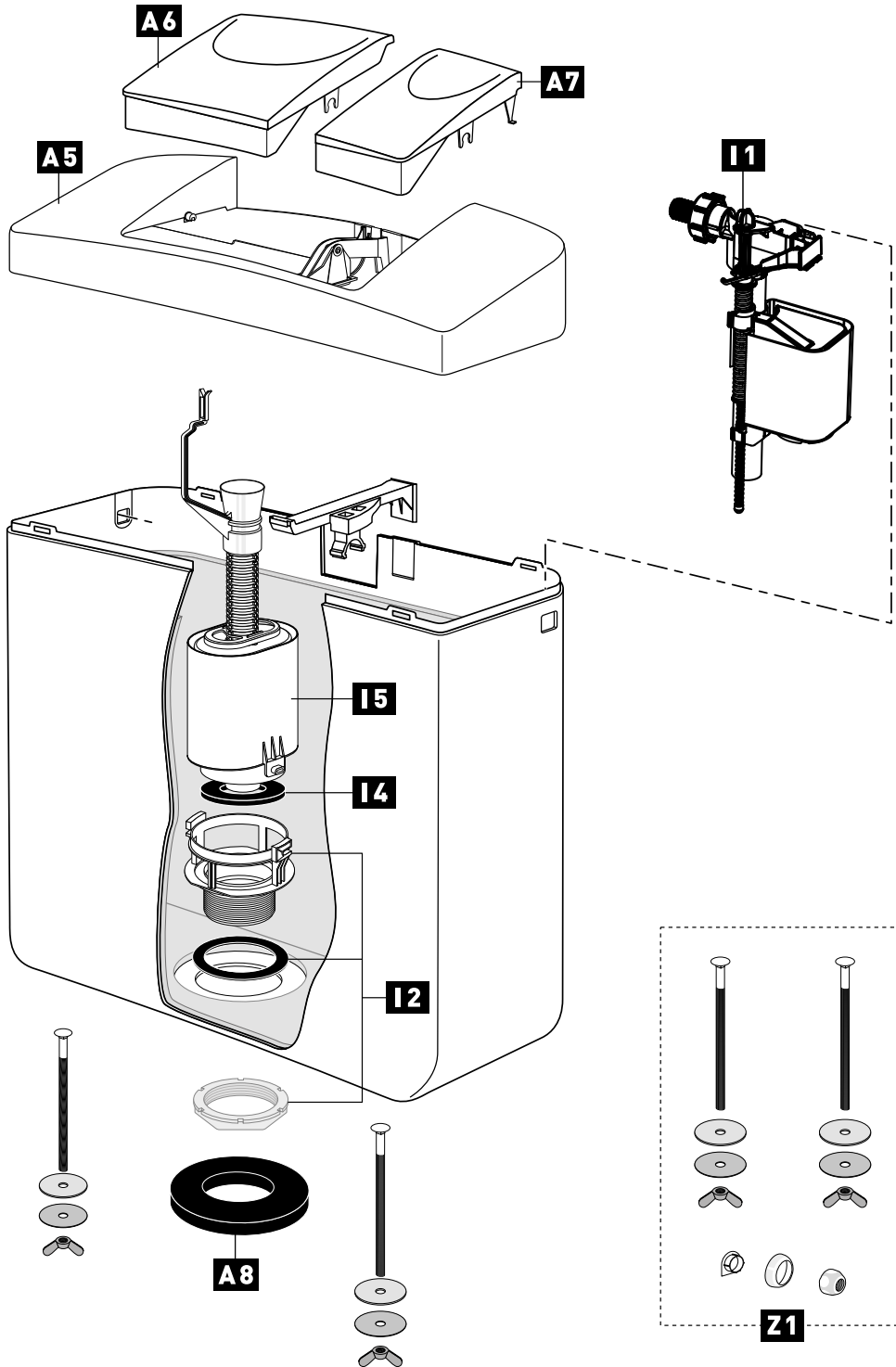
AP134 CH (134.1401)



| Pos. | Art. nr. | EAN-Code | Description | Color | Details |
|------|--------------|---------------|-------------------|-------|--------------------------|
| A 1 | 363776 | 4016817024159 | Rosette | white | with sealing + slip ring |
| I 1 | 747E-036-P20 | 3838912063496 | 747 FILL VALVE | | |
| I 2 | 251166 | 3838912033819 | Valve seat | | complete |
| I 4 | 351517 | 3838912033901 | Fill valve seal | | |
| I 5 | 361815 | 3838912036919 | Flush valve | | with seal |
| I 6 | 361062 | 3838912036827 | Console with hose | | |
| Z 1 | 366306 | 3838912029317 | Service pack | | |

AP 152.21XX

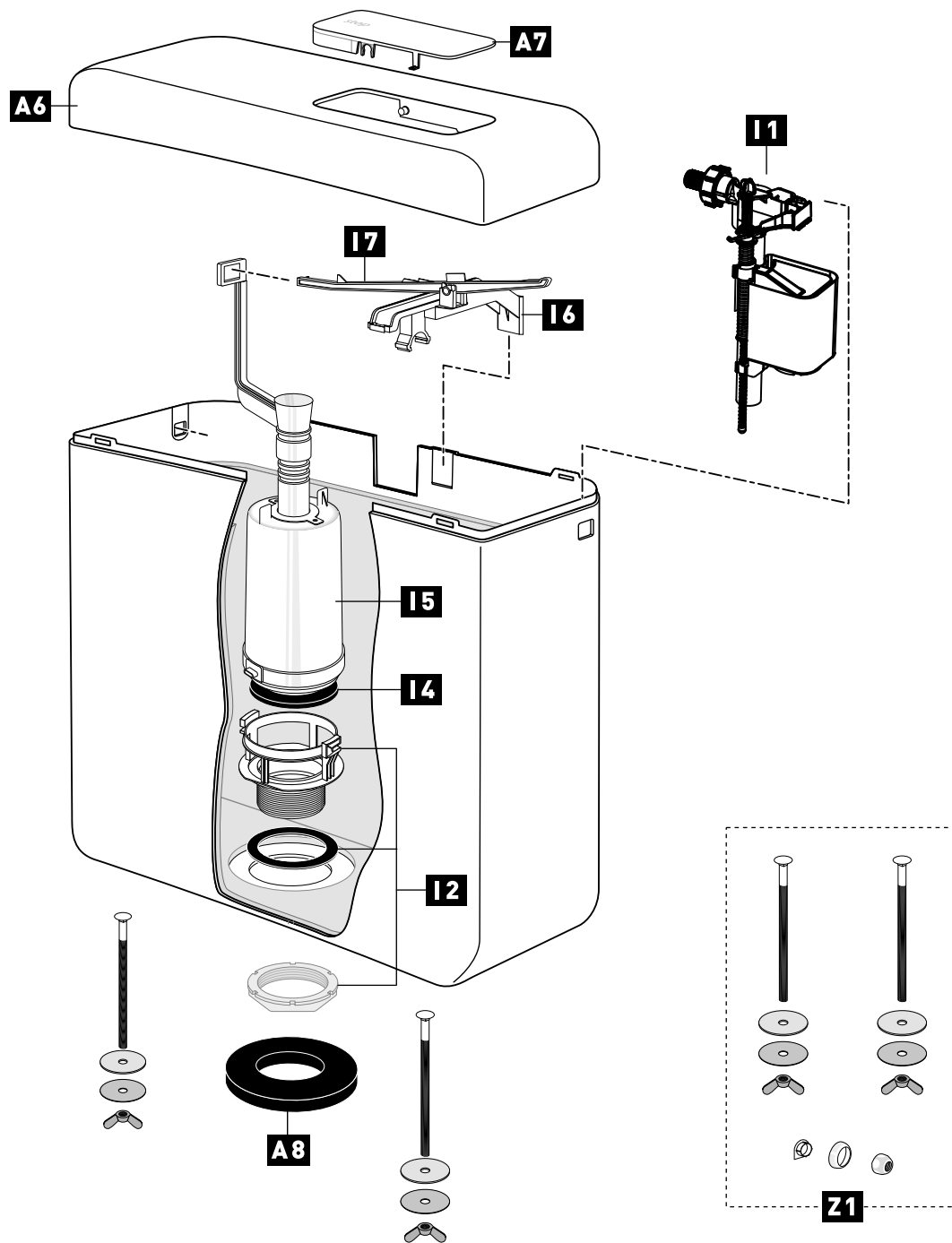
attached to WC ceramics



| Pos. | Art. nr. | EAN-Code | Description | Color | Details |
|------|----------|---------------|------------------------|-------|----------------------|
| A 5 | 239212 | 3838912035622 | Flushing cistern cover | white | with function button |
| A 6 | 239202 | 3838912035608 | Function button | white | big |
| A 7 | 239206 | 3838912035615 | Function button | white | small |
| A 8 | 360816 | 3838912036803 | Cellular rubber gasket | | 110x72x15 mm |
| I 1 | 628458 | 3838912038012 | Fill valve | | |
| I 2 | 251166 | 3838912033819 | Valve seat | | complete |
| I 4 | 351517 | 3838912033901 | Valve seal | | |
| I 5 | 239297 | 3838912035714 | Flush valve | | complete with seal |
| Z 1 | 363819 | 4016817026351 | Service pack | | |

AP 150.23XX (50.300 / 150.21XX (50.303))

attached to WC ceramics



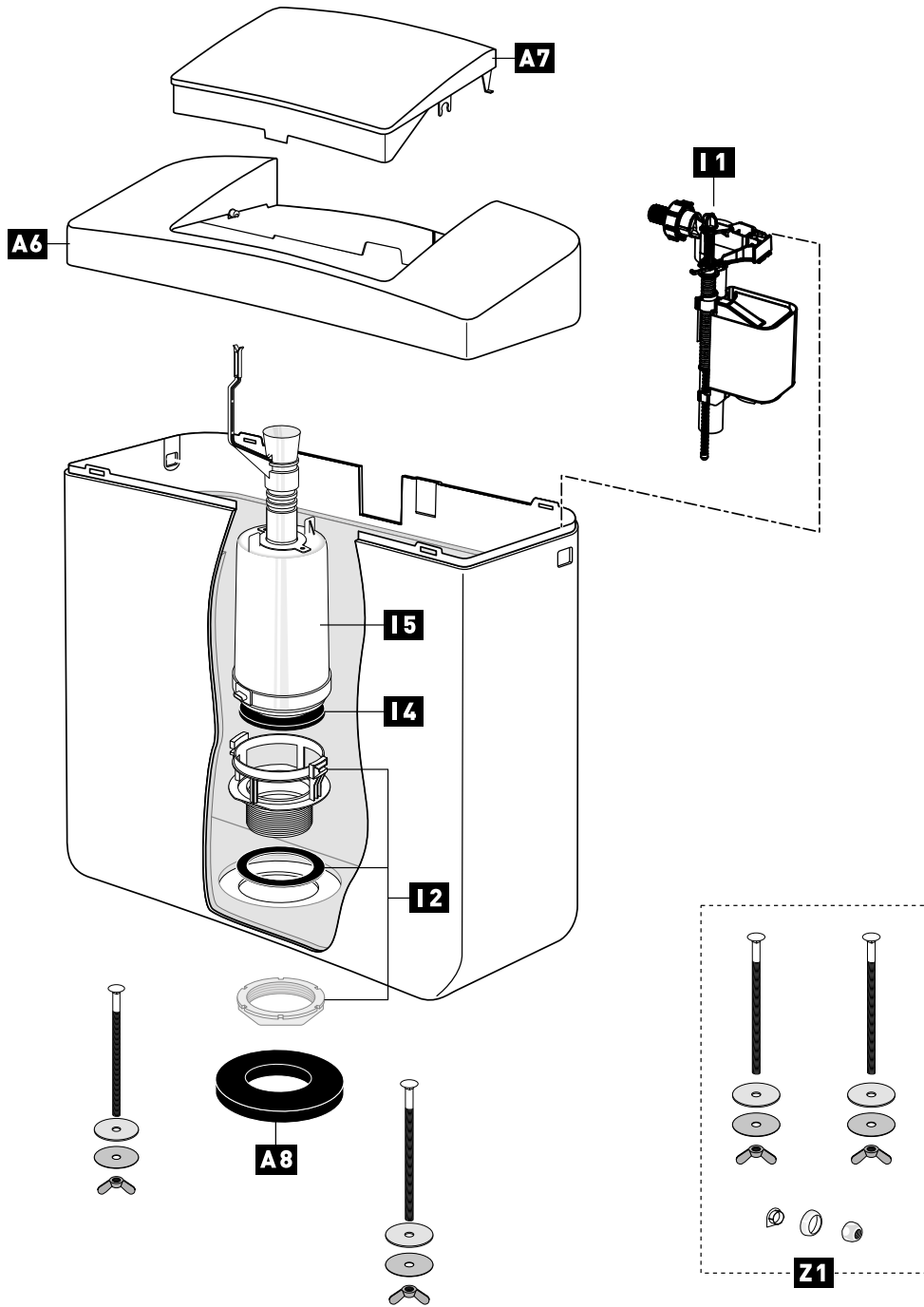
EXPIRING ITEM, please check availability before ordering

| Pos. | Art. nr. | EAN-Code | Description | Color | Details |
|------|----------|---------------|------------------------|-------|----------------------|
| A 6 | 235138 | 3838912035219 | Flushing cistern cover | white | with function button |
| A 7 | 234163 | 3838912034502 | Function button | white | |
| A 8 | 360816 | 3838912036803 | Cellular rubber gasket | | 110x72x15 mm |
| I 1 | 628458 | 3838912038012 | Filling valve | | |
| I 2 | 251166 | 3838912033819 | Fill seat | | complete |
| I 4 | 351517 | 3838912033901 | Valve seal | | |
| I 5 | 249826* | 3838912036223 | Flush valve | | complete with seal |
| I 6 | 241287 | 3838912036117 | Lever support | | |
| I 7 | 241332 | 3838912032805 | Actuation lever | | |
| Z 1 | 363819 | 4016817026351 | Service pack | | |

* Product available on request

AP 155.23XX (55.300 / 155.21XX (55.303))

since 1996, attached to WC ceramics



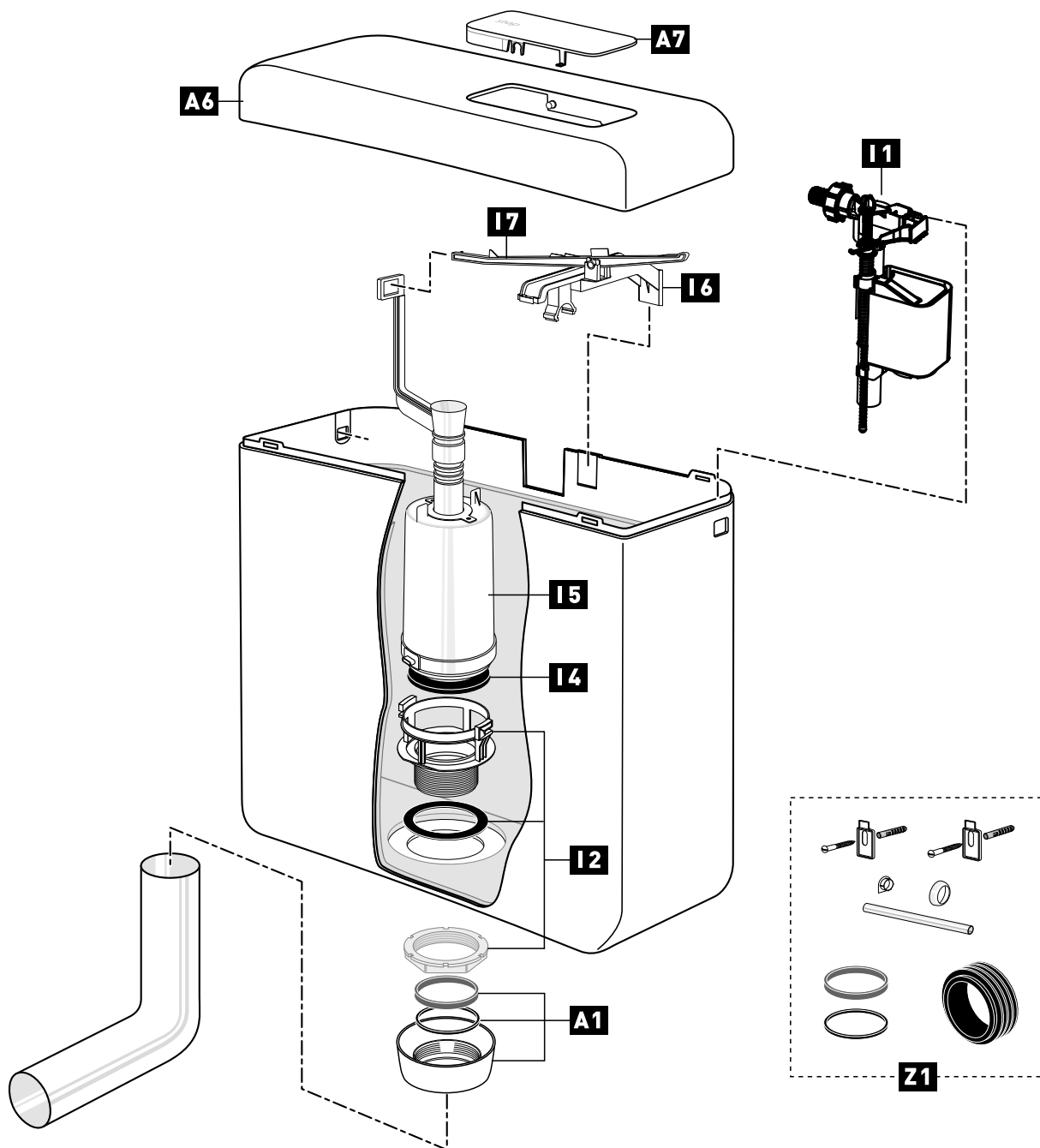
EXPIRING ITEM, please check availability before ordering

| Pos. | Art. nr. | EAN-Code | Description | Color | Details |
|------|----------|---------------|------------------------|-------|----------------------|
| A 6 | 239794 | 3838912035905 | Flushing cistern cover | white | with function button |
| A 7 | 239795 | 3838912035912 | Function button | white | |
| A 8 | 360816 | 3838912036803 | Cellular rubber gasket | | 110x72x15 mm |
| I 1 | 628458 | 3838912038012 | Fill valve | | |
| I 2 | 251166 | 3838912033819 | Valve seat | | complete |
| I 4 | 351517 | 3838912033901 | Valve seal | | |
| I 5 | 363799* | 4016817025361 | Flush valve | | complete with seal |
| Z 1 | 363819 | 4016817026351 | Service pack | | |

* Product available on request

AP 150.1901 (50.000)

low-hung

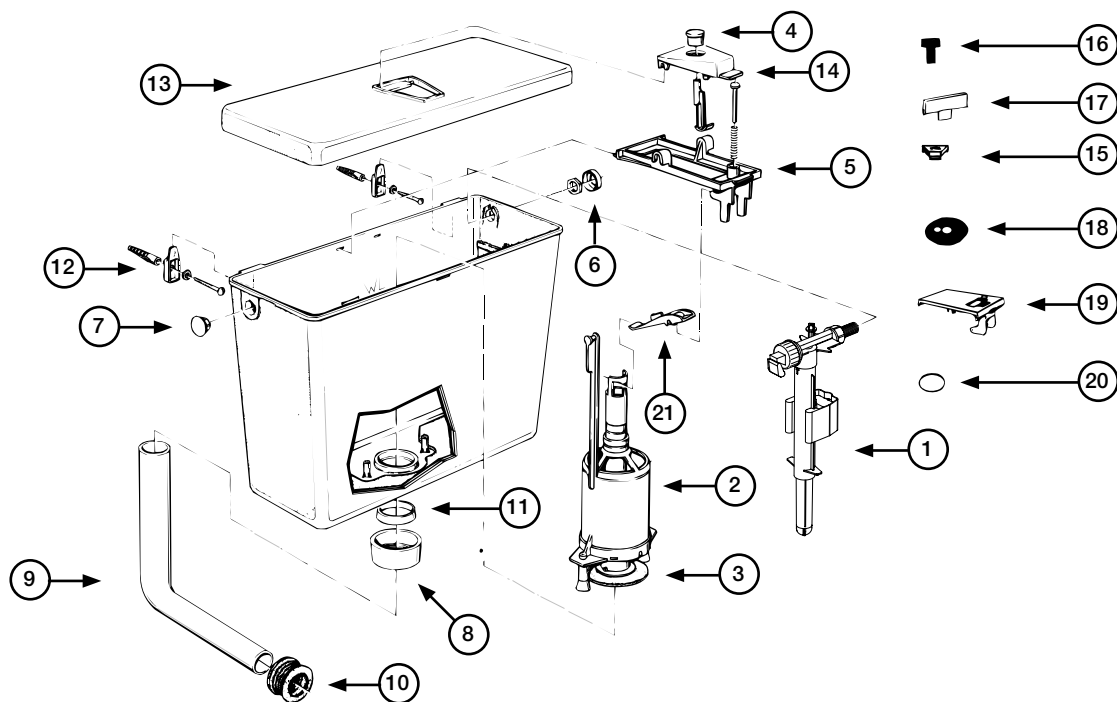


EXPIRING ITEM, please check availability before ordering

| Pos. | Art. nr. | EAN-Code | Description | Color | Details |
|------|----------|---------------|------------------------|-------|-----------------------------|
| A 1 | 363776 | 4016817024159 | Rosette | white | with gasket + abrasive ring |
| A 6 | 235138 | 3838912035219 | Flushing cistern cover | white | with function button |
| A 7 | 234163 | 3838912034502 | Function button | white | |
| I 1 | 628458 | 3838912038012 | Fill valve | | |
| I 2 | 251166 | 3838912033819 | Valve seat | | complete |
| I 4 | 351517 | 3838912033901 | Valve seal | | |
| I 5 | 249826* | 3838912036223 | Flush valve | | complete with seal |
| I 6 | 241287 | 3838912036117 | Lever support | | |
| I 7 | 241332 | 3838912032805 | Actuation lever | | |
| Z 1 | 363820 | 4016817026368 | Service pack | | |

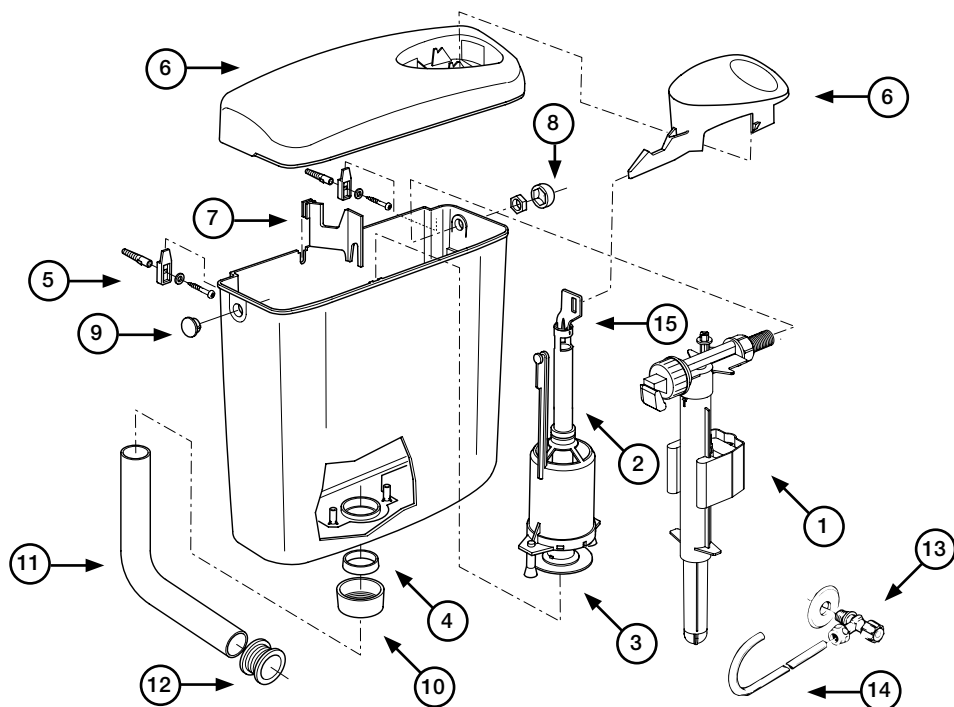
* Product available on request

WISA 250



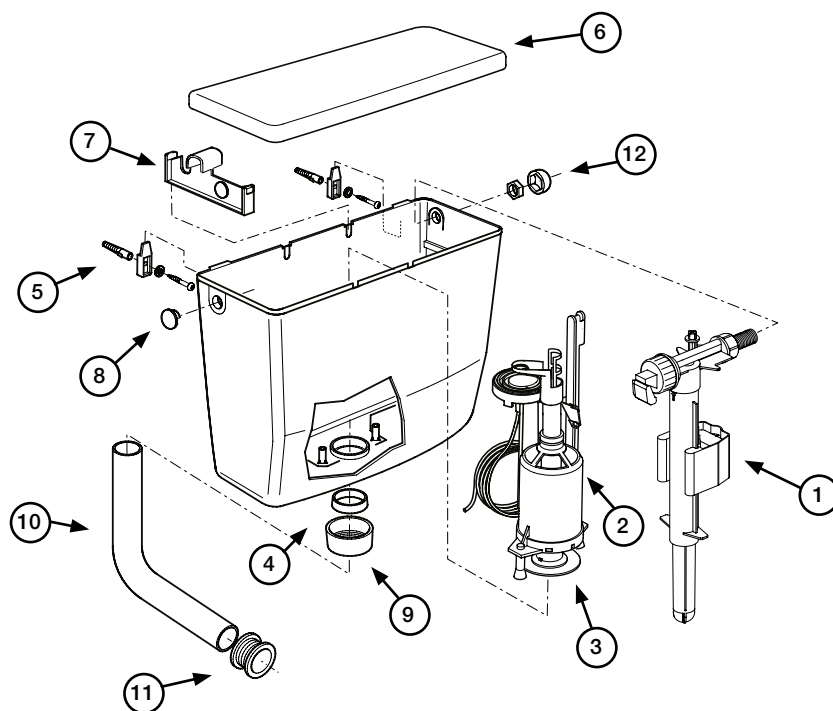
| Pos. | WISA Art. nr. | Description |
|------|---------------|--|
| 1 | 8035432795 | Fill valve HVK G 3/8 |
| 2 | 8050800500 | Flush valve for WISA 250/350/444 including rubber seal |
| 3 | 1411988440 | Flush valve rubber seal 28 x 65 x 3 |
| 4 | 8050885740 | Flush interruption button white |
| 5 | 8050800234 | Bridging piece WISA 250 complete |
| 6 | 8050882382 | Nut cover cap white |
| 7 | 8050882480 | Closing cap white |
| 8 | 8050882430 | Nut for flush pipe white |
| 9 | 8050110101 | Flush pipe 230 x 210 white |
| 10 | 8050985530 | Flush pipe connector |
| 11 | 8050882450 | Seal for flush pipe |
| 12 | 8050800078 | Fixation kit including seal for flush pipe |
| 13 | 8050882630 | Cover WISA 250 white excluding button |
| 14 | 8050428020 | Button WISA 250 white |
| 15 | 8050885500 | Button WISA 250 without flush interruption white |
| | 8050885400 | Button WISA 250 without flush interruption black |
| 16 | 8050882606 | Button WISA 250 T model |
| 17 | 8050885203 | Button WISA 250 chrome (old model) |
| 18 | 1411988438 | Rubber disk WISA 250 78 mm |
| | 1411988431 | Rubber disk WISA 250 116 mm |
| 19 | 8050800235 | Bridging piece WISA 250 (old model) |
| 20 | 1411988437 | Flush mechanism rubber seal 23,5 x 69 x 3 (old model) |
| 21 | 8050885402 | Lever |

WISA 300



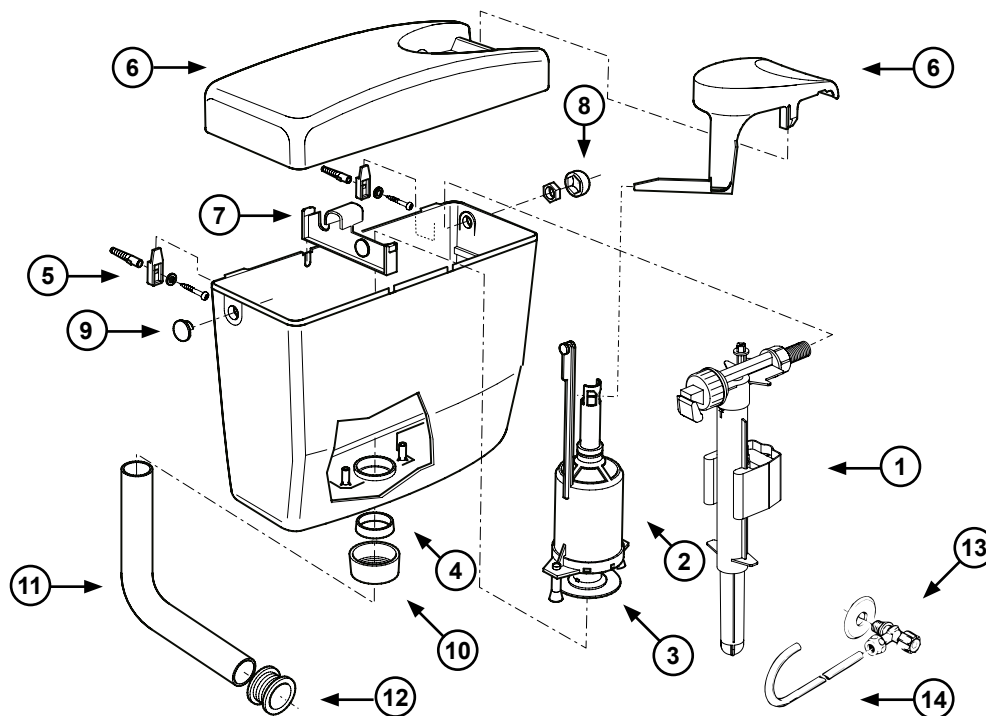
| Pos. | WISA Art. nr. | Description |
|------|---------------|--|
| 1 | 8035432783 | Fill valve HVK G 3/8 |
| 2 | 8050800527 | Flush valve WISA 300 (including rubber seal) |
| | 8050800529 | Flush valve WISA 300 pneumatic (including rubber seal) |
| 3 | 1411988440 | Flush valve rubber seal 28 x 65 x 3 |
| | 8050390037 | Bag of flush valve rubber seal 28 x 65 x 3 (5 pc.) |
| 4 | 8050882450 | Seal for flush pipe |
| | 8050390025 | Bag of seal for flush pipe (5 pc.) |
| 5 | 8050800078 | Fixation kit including seal for flush pipe |
| 6 | 8050410101 | Cover including button WISA 300 white |
| | 8050887714 | Cover WISA 300 pergamon |
| | 8050411501 | Button WISA 300 white |
| 7 | 8050883276 | Bridging piece WISA 300 |
| 8 | 8050882480 | Nut cover cap white |
| | 8050882482 | Nut cover cap beige |
| | 8050886237 | Nut cover cap pergamon |
| 9 | 8050882382 | Closing cap white |
| | 8050886394 | Closing cap beige |
| | 8050886397 | Closing cap pergamon |
| 10 | 8050882430 | Nut for flush pipe white |
| | 8050390002 | Bag of nut for flush pipe white (5 pc.) |
| | 8050882432 | Nut for flush pipe beige |
| | 8050882227 | Nut for flush pipe pergamon |
| 11 | 8050110101 | Flush pipe 230 x 210 white |
| | 8050110103 | Flush pipe 230 x 210 beige |
| | 8050110114 | Flush pipe 230 x 210 pergamon |
| 12 | 8050985530 | Flush pipe connector |
| | 8050390093 | Bag of flush pipe connector (5 pc.) |
| 13 | 1403987112 | Stop valve 1/2" |
| 14 | 1405987116 | Copper connection pipe |
| 15 | 8050883277 | Lifting bracket WISA 300 |

WISA 350 UC



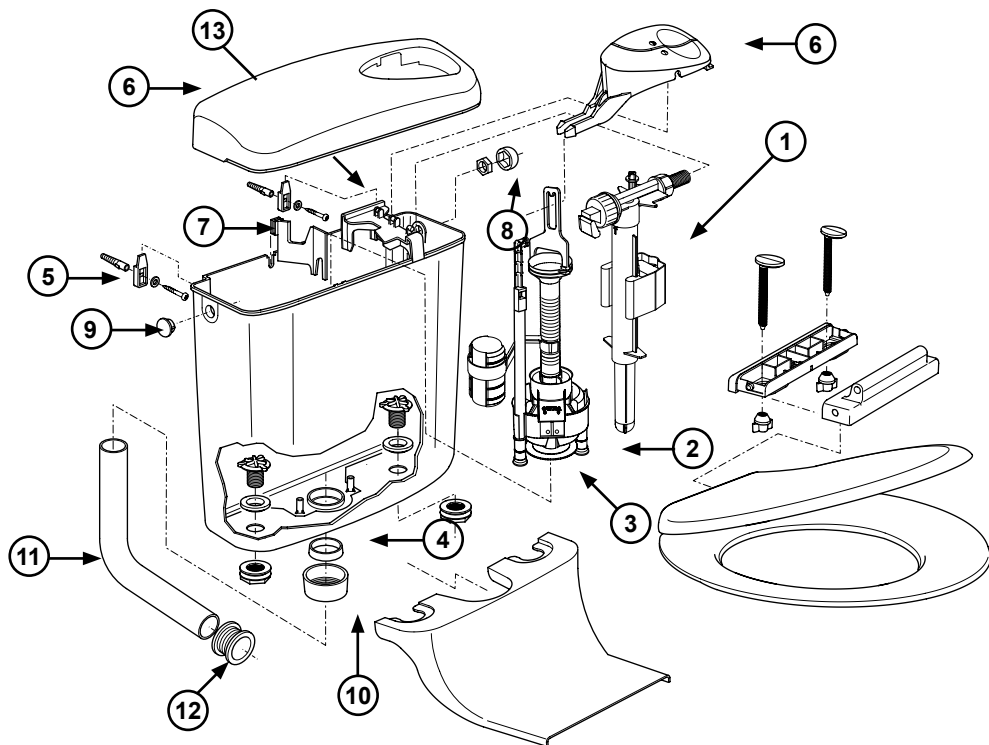
| Pos. | WISA Art. nr. | Description |
|------|---------------|--|
| 1 | 8035432783 | Fill valve HVK G 3/8 |
| 2 | 8050800533 | Flush valve pneumatic including rubber seal |
| 3 | 1411988440 | Flush valve rubber seal 28 x 65 x 3 |
| | 8050390037 | Bag of flush valve rubber seal 28 x 65 x 3 (5 pc.) |
| 4 | 8050882450 | Seal for flush pipe |
| | 8050390025 | Bag of seal for flush pipe (5 pc.) |
| 5 | 8050800075 | Fixation kit |
| 6 | 8050411101 | Cover WISA 350 in carton |
| 7 | 8050881400 | Bridging piece WISA 350 |
| 8 | 8050882480 | Closing cap white |
| | 8050390067 | Bag of closing cap white (5 pc.) |
| 9 | 8050882430 | Nut for flush pipe white |
| | 8050390002 | Bag of nut for flush pipe white (5 pc.) |
| 10 | 1409985680 | Flush pipe white |
| 11 | 8050985530 | Flush pipe connector |
| | 8050390093 | Bag of flush pipe connector (5 pc.) |
| 12 | 8050882382 | Nut cover cap white |

WISA 900



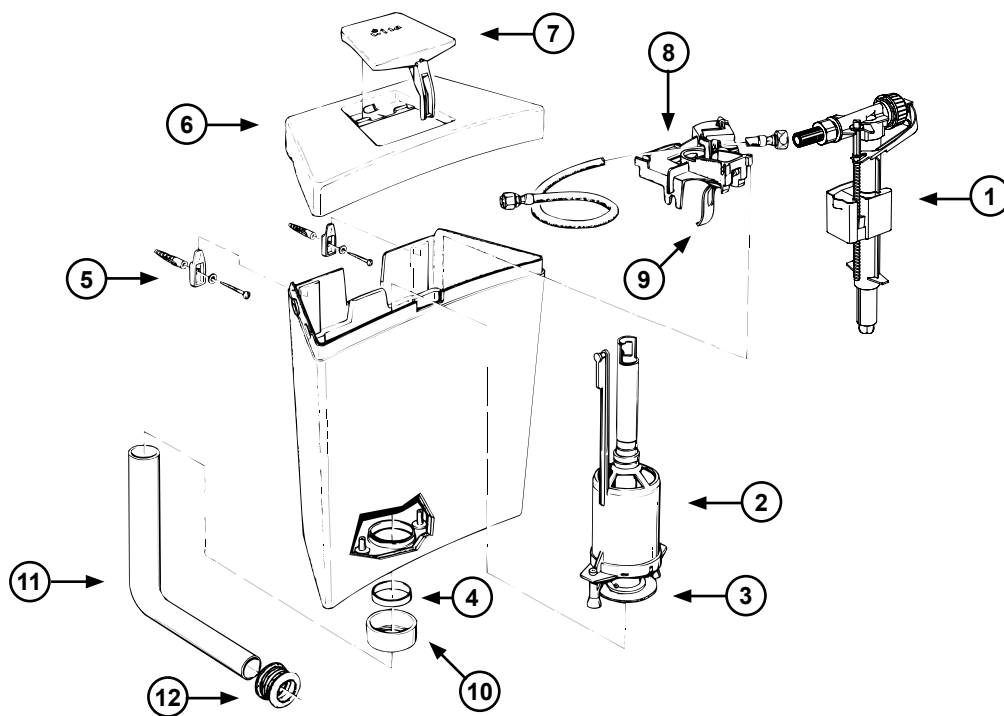
| Pos. | WISA Art. nr. | Description |
|------|---------------|--|
| 1 | 8035432795 | Fill valve HVK G 3/8 |
| 2 | 8050800500 | Flush valve including rubber seal |
| 3 | 1411988440 | Flush valve rubber seal 28 x 65 x 3 |
| 4 | 8050882450 | Seal for flush pipe |
| 5 | 8050800078 | Fixation kit including seal for flush pipe |
| 6 | 8050410201 | Cover and button white |
| | 8050410203 | Cover and button beige |
| | 8050410210 | Cover and button manhattan |
| | 8050410214 | Cover and button pergamon |
| 7 | 8050881400 | Bridging piece WISA 370/259 |
| 8 | 8050882382 | Nut cover cap white |
| | 8050886394 | Nut cover cap beige |
| | 8050886379 | Nut cover cap manhattan |
| | 8050886397 | Nut cover cap pergamon |
| 9 | 8050882480 | Closing cap white |
| | 8050882482 | Closing cap beige |
| | 8050886249 | Closing cap manhattan |
| | 8050886237 | Closing cap pergamon |
| 10 | 8050882430 | Nut for flush pipe white |
| | 8050882432 | Nut for flush pipe beige |
| | 8050882224 | Nut for flush pipe manhattan |
| | 8050882227 | Nut for flush pipe pergamon |
| 11 | 8050110101 | Flush pipe 230 x 210 white |
| | 8050110103 | Flush pipe 230 x 210 beige |
| | 8050110110 | Flush pipe 230 x 210 manhattan |
| | 8050110114 | Flush pipe 230 x 210 pergamon |
| 12 | 8050985530 | Flush pipe connector |
| 13 | 1403987522 | Stop valve 1/2" |
| 14 | 1405987126 | Copper connection pipe |

WISA 450



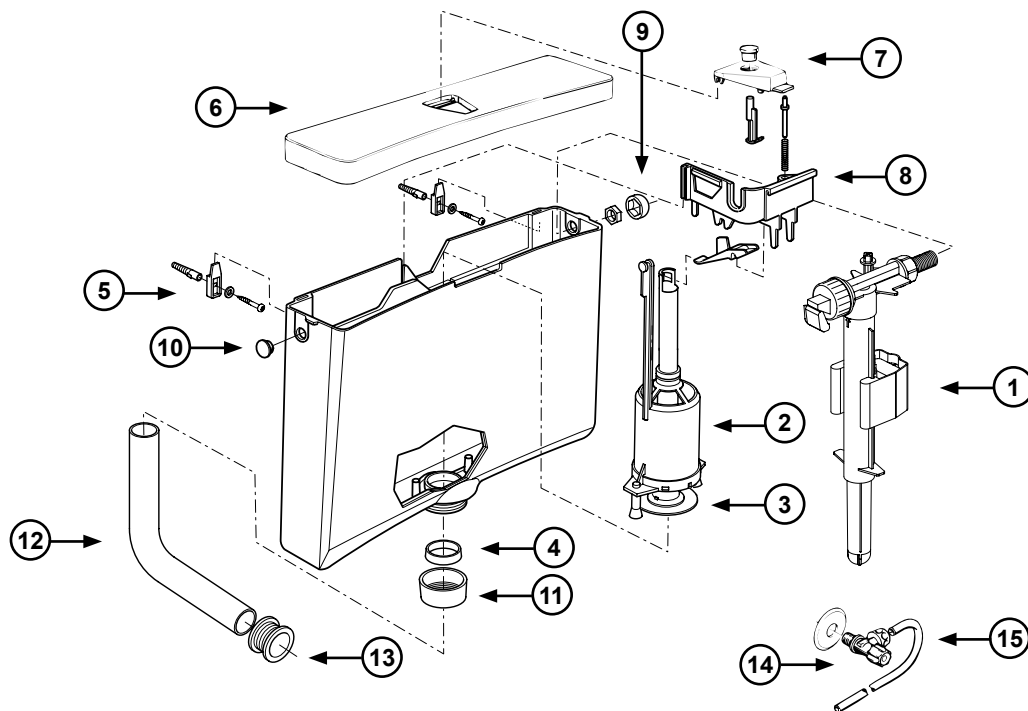
| Pos. | WISA Art. nr. | Description |
|------|---------------|--|
| 1 | 8035432795 | Fill valve HVK G 3/8 |
| 2 | 8050800101 | Conversion set WISA 336 white |
| 3 | 8035390111 | Rubber seal |
| 4 | 8050882450 | Seal for flush pipe |
| 5 | 8050800078 | Fixation kit including seal for flush pipe |
| 6 | 8050411401 | Cover and buttons WISA 450 white |
| 7 | 8050883276 | Bridging piece WISA 450 |
| 8 | 8050882382 | Nut cover cap white |
| 9 | 8050882480 | Closing cap white |
| 10 | 8050882430 | Nut for flush pipe white |
| 11 | 8050110101 | Flush pipe 230 x 210 |
| 12 | 8050985530 | Flush pipe connector |
| 13 | 8050883649 | Bridging piece buttons WISA 450 |

WISA 600



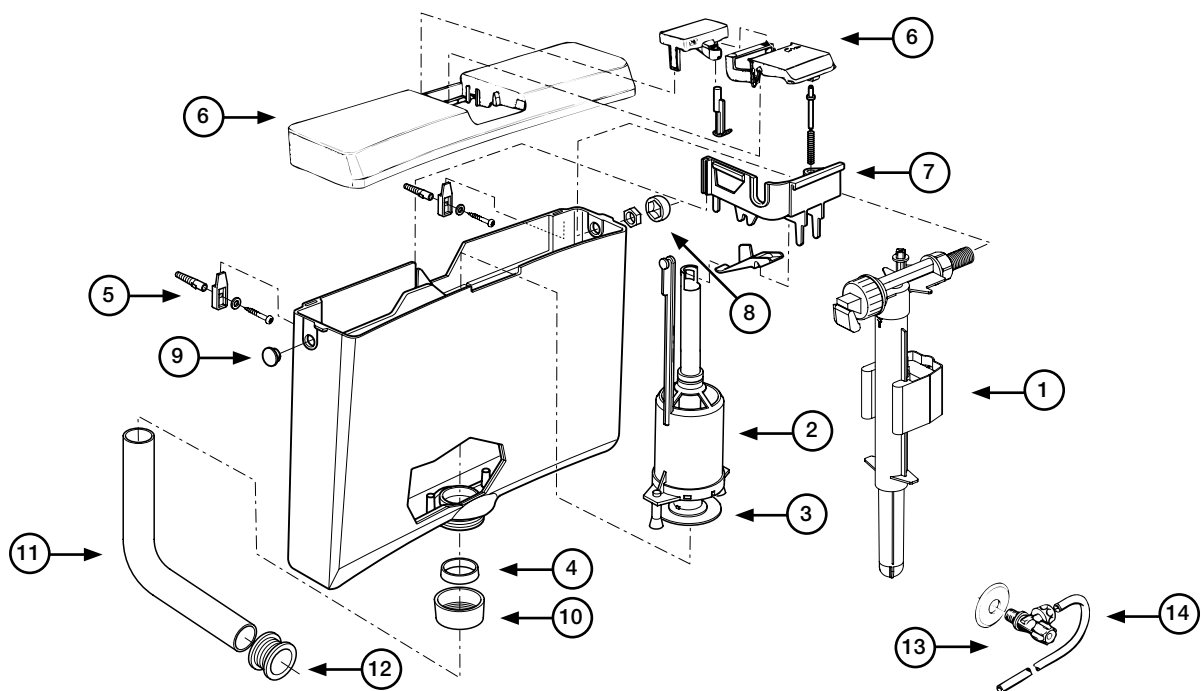
| Pos. | WISA Art. nr. | Description |
|------|---------------|--|
| 1 | 8035432795 | Fill valve HVK G 3/8 |
| 2 | 8050800507 | Flush valve WISA 600 including rubber seal |
| 3 | 1411988440 | Flush valve rubber seal 28 x 65 x 3 |
| 4 | 8050882450 | Seal for flush pipe |
| 5 | 8050800078 | Fixation kit including seal for flush pipe |
| 6 | 8050801600 | Cover WISA 600 white |
| 7 | 8050881620 | Button WISA 600 white |
| 8 | 8050881610 | Bridging piece WISA 600 |
| 9 | 8050881611 | Lever WISA 600 |
| 10 | 8050882430 | Nut for flush pipe white |
| 11 | 8050110101 | Flush pipe 230 x 210 white |
| 12 | 8050985530 | Flush pipe connector |

WISA 750



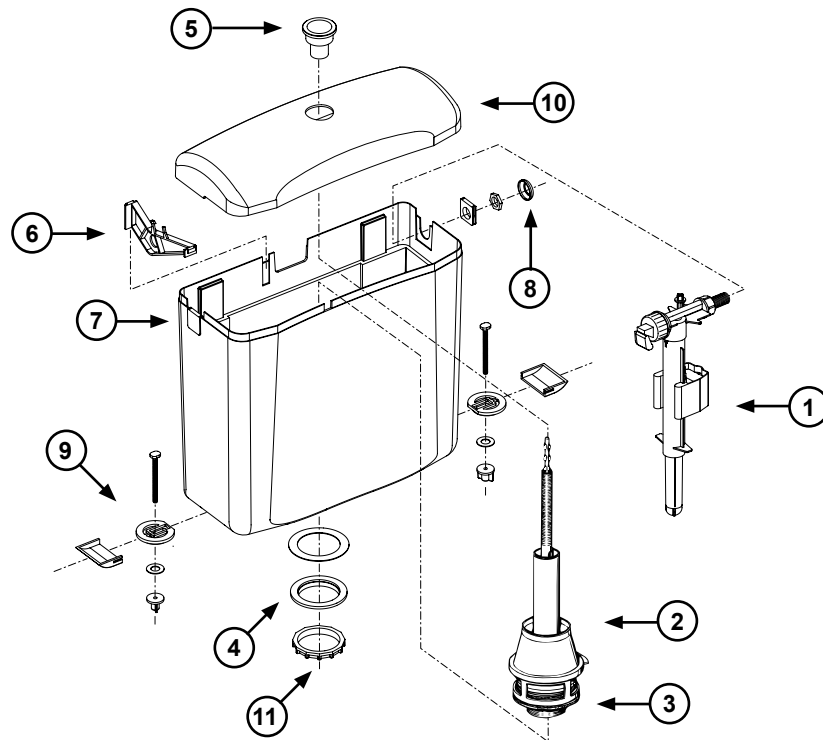
| Pos. | WISA Art. nr. | Description |
|------|---------------|---|
| 1 | 8035432795 | Fill valve HVK G 3/8 |
| 2 | 8050800504 | Flush valve WISA 670 including rubber seal |
| 3 | 1411988440 | Flush valve rubber seal 28 x 65 x 3 |
| | 1411988436 | Flush valve rubber seal (old model) |
| 4 | 8050882450 | Seal for flush pipe |
| 5 | 8050800078 | Fixation kit including seal for flush pipe |
| 6 | 8050410501 | Cover and button white |
| | 8050410503 | Cover and button beige |
| | 8050410510 | Cover and button manhattan |
| | 8050410514 | Cover and button pergamon |
| 7 | 8050411901 | Complete flushing button (old, with rinsing interruption) white |
| | 8050428022 | Complete flushing button (old, with rinsing interruption) beige |
| | 8050428019 | Complete flushing button (old, with rinsing interruption) manhattan |
| | 8050428027 | Complete flushing button (old, with rinsing interruption) pergamon |
| 8 | 8050800237 | Bridging piece complete |
| | 8050870004 | Interrupting pin |
| | 8050882851 | Pressure |
| | 1401980441 | Spring for pressure pin |
| 9 | 8050882382 | Nut cover cap white |
| | 8050886394 | Nut cover cap beige |
| | 8050886379 | Nut cover cap manhattan |
| | 8050886397 | Nut cover cap pergamon |
| 10 | 8050882480 | Closing cap white |
| | 8050882482 | Closing cap white beige |
| | 8050886249 | Closing cap white manhattan |
| | 8050886237 | Closing cap white pergamon |
| 11 | 8050882430 | Nut for flush pipe white |
| | 8050882432 | Nut for flush pip beige |
| | 8050882224 | Nut for flush pip manhattan |
| | 8050882227 | Nut for flush pip pergamon |
| 12 | 8050110101 | Flush pipe 230 x 210 white |
| | 8050110103 | Flush pipe 230 x 210 beige |
| | 8050110110 | Flush pipe 230 x 210 manhattan |
| | 8050110114 | Flush pipe 230 x 210 pergamon |
| 13 | 8050985530 | Flush pipe connector |
| 14 | 1403987112 | Stop valve 1/2" |
| 15 | 1405987118 | Copper connection pipe |

WISA 790



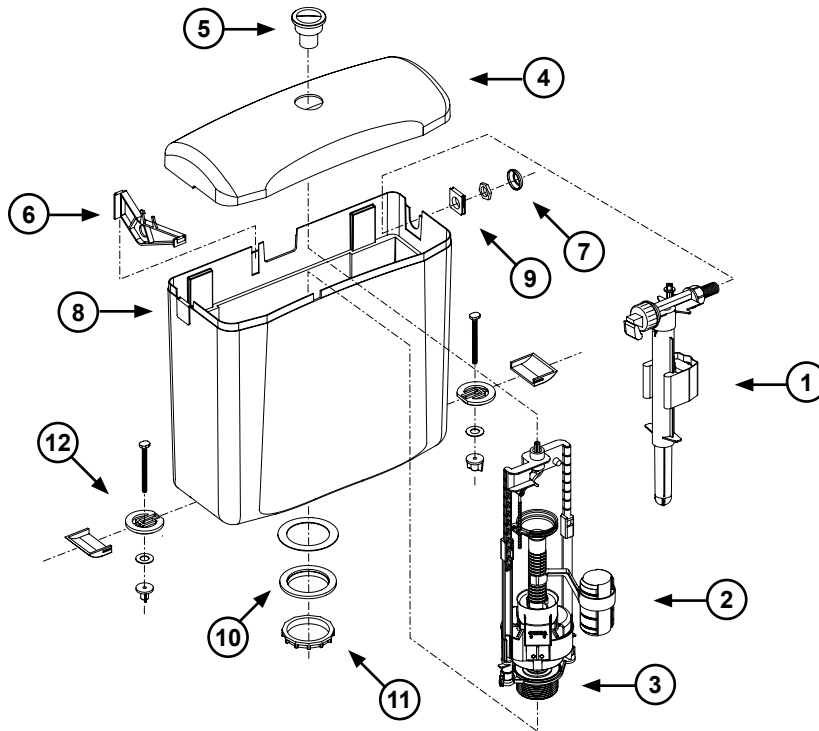
| Pos. | WISA Art. nr. | Description |
|------|---------------|--|
| 1 | 8035432795 | Fill valve HVK G 3/8 |
| 2 | 8050800504 | Flush valve WISA 790 including rubber seal |
| 3 | 1411988440 | Flush valve rubber seal 28 x 65 x 3 |
| | 8050390037 | Bag of flush valve rubber seal 28 x 65 x 3 (5 pc.) |
| 4 | 8050882450 | Seal for flush pipe |
| | 8050390025 | Bag of seal for flush pipe (5 pc.) |
| 5 | 8050800078 | Fixation kit including seal for flush pipe |
| 6 | 8050410601 | Cover and buttons WISA 790 white |
| | 8050881702 | Cover and buttons WISA 790 beige |
| | 8050410614 | Cover and buttons WISA 790 pergamon |
| | 8050410610 | Cover and buttons WISA 790 manhattan |
| | 8050881790 | Cover and buttons WISA 790 white with cover lock |
| 7 | 8050800237 | Bridging piece WISA 790 |
| 8 | 8050882382 | Nut cover cap white |
| | 8050886394 | Nut cover cap beige |
| | 8050886397 | Nut cover cap pergamon |
| | 8050886379 | Nut cover cap manhattan |
| 9 | 8050882480 | Closing cap white |
| | 8050390067 | Bag of closing cap white (5 pc.) |
| | 8050882482 | Closing cap beige |
| | 8050886237 | Closing cap pergamon |
| | 8050886249 | Closing cap manhattan |
| 10 | 8050882430 | Nut for flush pipe white |
| | 8050390002 | Bag of nut for flus pipe white (5 pc.) |
| | 8050882432 | Nut for flush pipe beige |
| | 8050882227 | Nut for flush pipe pergamon |
| | 8050882224 | Nut for flush pipe manhattan |
| 11 | 8050110101 | Flush pipe 230 x 210 white |
| | 8050110103 | Flush pipe 230 x 210 beige |
| | 8050110114 | Flush pipe 230 x 210 pergamon |
| | 8050110110 | Flush pipe 230 x 210 manhattan |
| 12 | 8050985530 | Flush pipe connector |
| | 8050390093 | Bag of flush pipe connector (5 pc.) |
| 13 | 1403987112 | Stop valve 1/2" |
| 14 | 1405987118 | Copper connection pipe |

WISA 800 (BEFORE 1999)



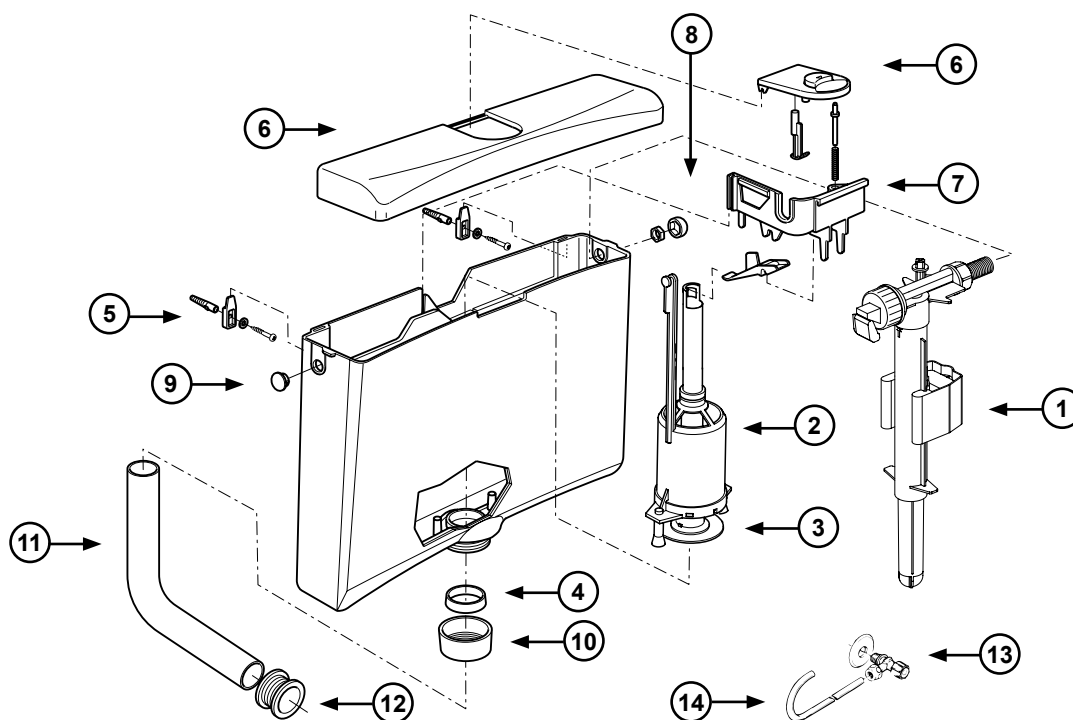
| Pos. | WISA Art. nr. | Description |
|------|---------------|---|
| 1 | 8035432795 | Fill valve HVK G 3/8 |
| 2 | 8035820147 | Flush valve WISA 800 |
| 3 | 1411988481 | Flush valve rubber seal WISA 800 |
| 4 | 8035988487 | Seal for flush pipe WISA 800 |
| 5 | 8035800105 | Push button WISA 800 |
| 6 | 8050881261 | Bridging piece WISA 800 white |
| 7 | 8050881240 | Closing plate WISA 800 white |
| 8 | 8050882382 | Nut cover cap WISA 800 white |
| 9 | 8050800090 | Fixation kit WISA 800 including bowl rubber |
| 10 | 8050411301 | Cover WISA 800 white |
| 11 | 8035885917 | Nut M59 WISA 800 white |

WISA 800 / 800 DF (FROM 1999)



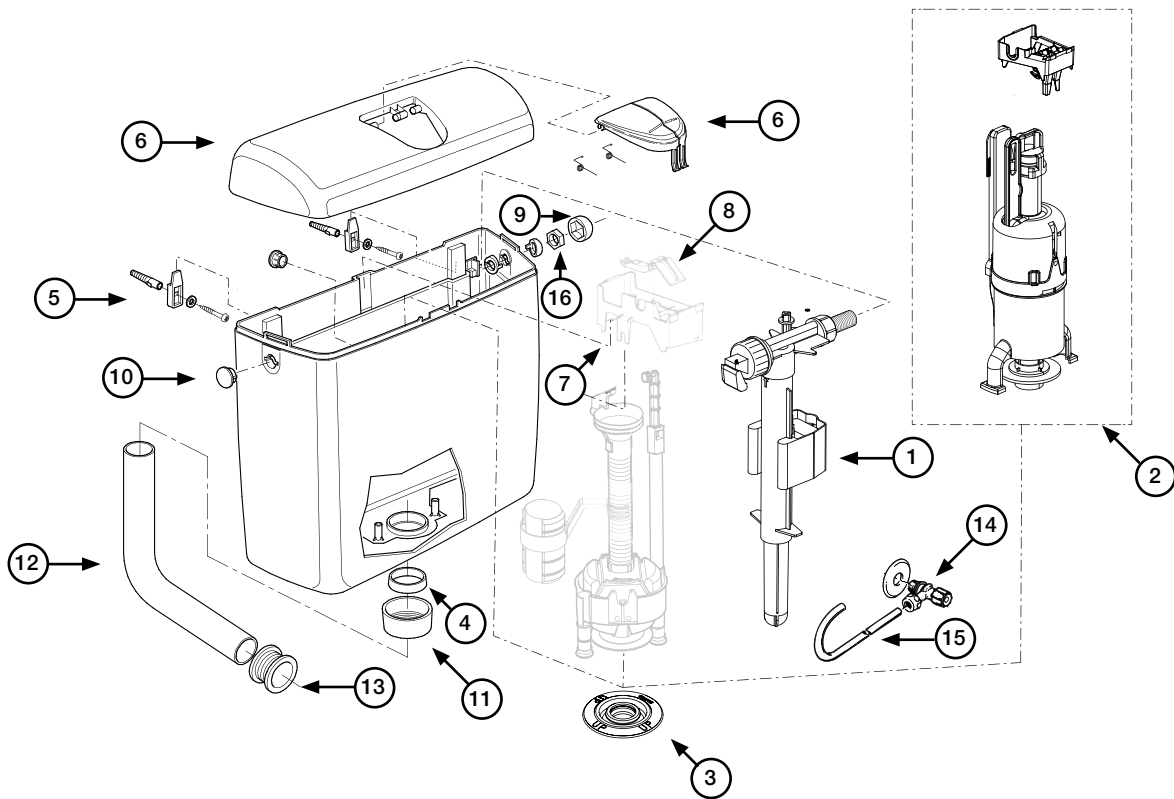
| Pos. | WISA Art. nr. | Description |
|------|---------------|---|
| 1 | 8035432795 | Fill valve HVK G 3/8 |
| 2 | 8050801502 | Flush valve WISA 800 MF including rubber seal |
| | 8050801504 | Flush valve WISA 800 DF including rubber seal |
| 3 | 8035390111 | Rubber seal |
| 4 | 8050411301 | Cover WISA 800 white |
| 5 | 8050802001 | Button WISA 800 MF bright chrome |
| | 8050802002 | Button WISA 800 DF bright chrome |
| 6 | 8050881261 | Bridging piece WISA 800 |
| 7 | 8050882382 | Nut cover cap white |
| 8 | 8050881240 | Closing plate WISA 800 |
| 9 | 8050881250 | Installation plate WISA 800 white |
| 10 | 8035885909 | Rubber seal WISA 800 |
| 11 | 8035885917 | Nut M59 WISA 800 white |
| 12 | 8050800090 | Fixation kit WISA 800 including bowl rubber |

WISA 870



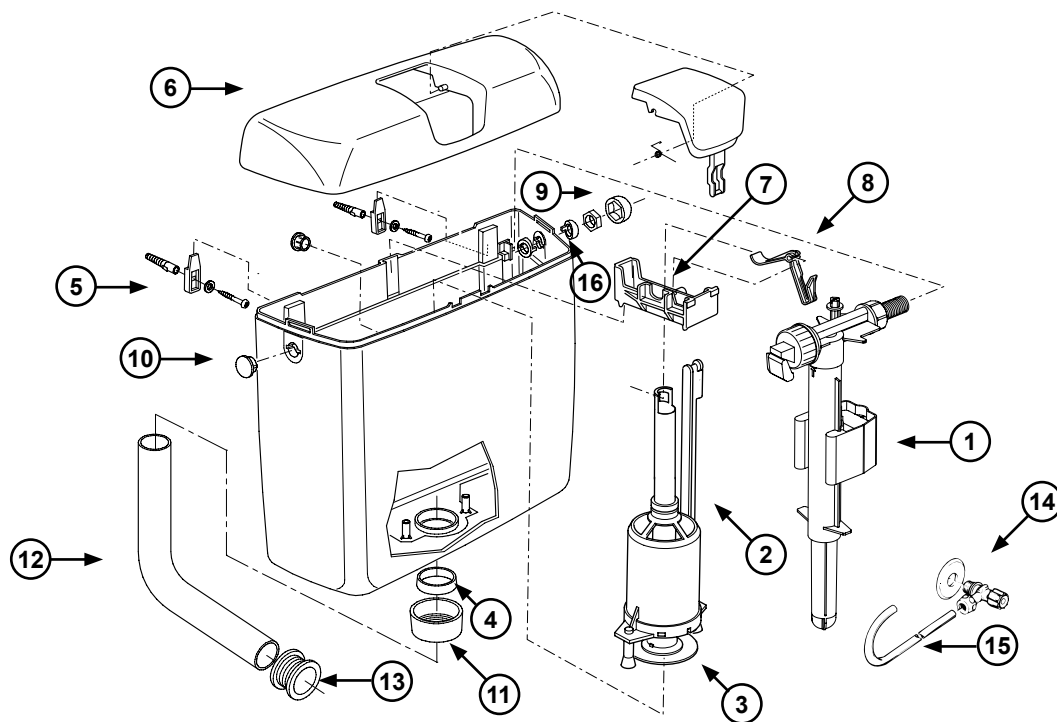
| Pos. | WISA Art. nr. | Description |
|------|---------------|---|
| 1 | 8035432795 | Fill valve HVK G 3/8 |
| 2 | 8050800504 | Flush valve WISA 570/670/870 including rubber sea |
| 3 | 1411988440 | Flush valve rubber seal 28 x 65 x 3 |
| 4 | 8050882450 | Seal for flush pipe |
| 5 | 8050800078 | Fixation kit including seal for flush pipe (8050882450) |
| 6 | 8050410701 | Cover WISA 870 with flushing button - white |
| | 8050889603 | Cover WISA 870 with flushing button - beige |
| | 8050889610 | Cover WISA 870 with flushing button - manhattan |
| | 8050889614 | Cover WISA 870 with flushing button - pergamon |
| 7 | 8050800237 | Bridging piece WISA 670/870, complete |
| | 8050870004 | Interrupting pin for WISA 670/870 |
| | 8050882851 | Pressure pin for WISA 670/870 |
| | 8050870003 | Lever to holding plate |
| | 1401980441 | Spring for pressure pin WISA 670/870 |
| 8 | 8050882382 | Nut cover cap - white |
| | 8050886394 | Nut cover cap - beige |
| | 8050886379 | Nut cover cap - manhattan |
| | 8050886397 | Nut cover cap - pergamon |
| 9 | 8050882480 | Closing cap - white |
| | 8050882482 | Closing cap - beige |
| | 8050886249 | Closing cap - manhattan |
| | 8050886237 | Closing cap - pergamon |
| 10 | 8050882430 | Nut for flush pipe - white |
| | 8050882432 | Nut for flush pipe - beige |
| | 8050882224 | Nut for flush pipe - manhattan |
| | 8050882227 | Nut for flush pipe - pergamon |
| 11 | 8050110101 | Flush pipe 230 x 210 - white |
| | 8050110103 | Flush pipe 230 x 210 - beige |
| | 8050110110 | Flush pipe 230 x 210 - manhattan |
| | 8050110114 | Flush pipe 230 x 210 - pergamon |
| 12 | 8050985530 | Flush pipe connector |
| 13 | 1403987112 | Stop valve 1/2" |
| 14 | 1405987118 | Copper connection pipe |

WISA 1036 DF



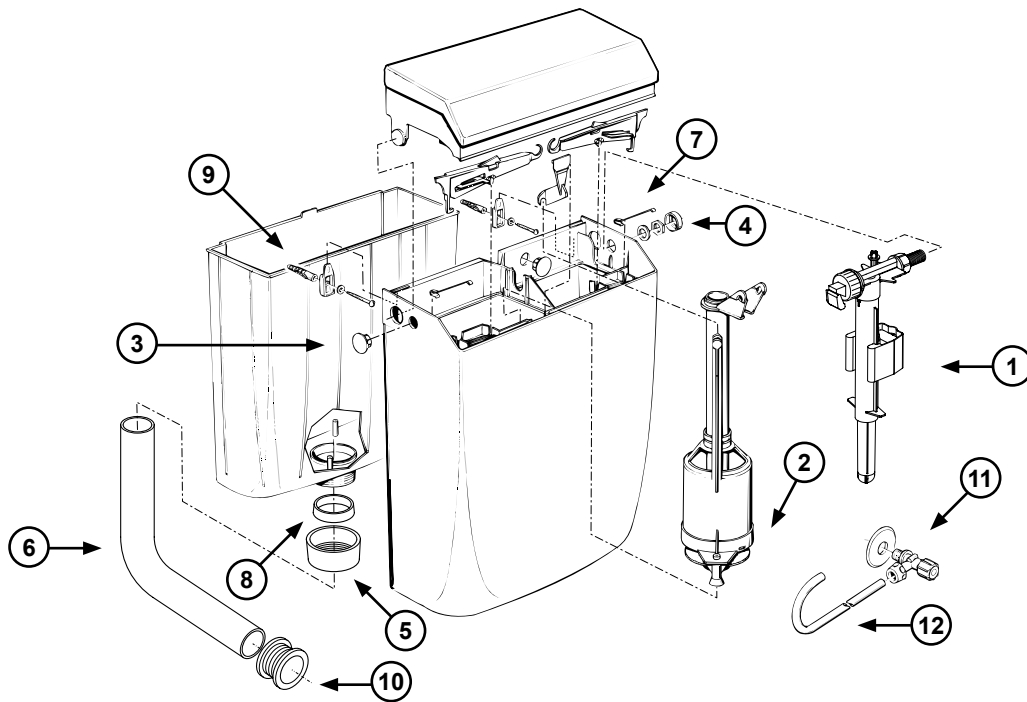
| Pos. | WISA Art. nr. | Description |
|------|---------------|--|
| 1 | 8035432795 | Fill valve HVK G 3/8 |
| 2 | 8050800201 | Flush valve including rubber seal |
| 3 | 8035390111 | Rubber seal |
| 4 | 8050882450 | Seal for flush pipe |
| 5 | 8050800078 | Fixation kit including seal for flush pipe |
| 6 | 8050410901 | Cover and buttons white |
| | 8050410903 | Cover and buttons beige |
| | 8050884137 | Cover and buttons pergamon |
| | 8050884149 | Cover and buttons manhattan |
| 7 | 8050883651 | Bridging piece |
| 8 | 8050883650 | Lever |
| 9 | 8050882382 | Nut cover cap white |
| | 8050886394 | Nut cover cap beige |
| | 8050886379 | Nut cover cap manhattan |
| | 8050886397 | Nut cover cap pergamon |
| 10 | 8050883750 | Closing cap white |
| | 8050883752 | Closing cap beige |
| | 8050883757 | Closing cap pergamon |
| | 8050883769 | Closing cap manhattan |
| 11 | 8050882430 | Nut for flush pipe white |
| | 8050882432 | Nut for flush pipe beige |
| | 8050882224 | Nut for flush pipe manhattan |
| | 8050882227 | Nut for flush pipe pergamon |
| 12 | 8050110101 | Flush pipe 230 x 210 white |
| | 8050110103 | Flush pipe 230 x 210 beige |
| | 8050110110 | Flush pipe 230 x 210 manhattan |
| | 8050110114 | Flush pipe 230 x 210 pergamon |
| 13 | 8050985530 | Flush pipe connector |
| 14 | 1403987112 | Stop valve 1/2" |
| 15 | 1405987118 | Copper connection pipe |
| 16 | 8050883620 | Fixation ring white |
| | 8050883622 | Fixation ring beige |
| | 8050883627 | Fixation ring pergamon |
| | 8050883639 | Fixation ring manhattan |

WISA 1170



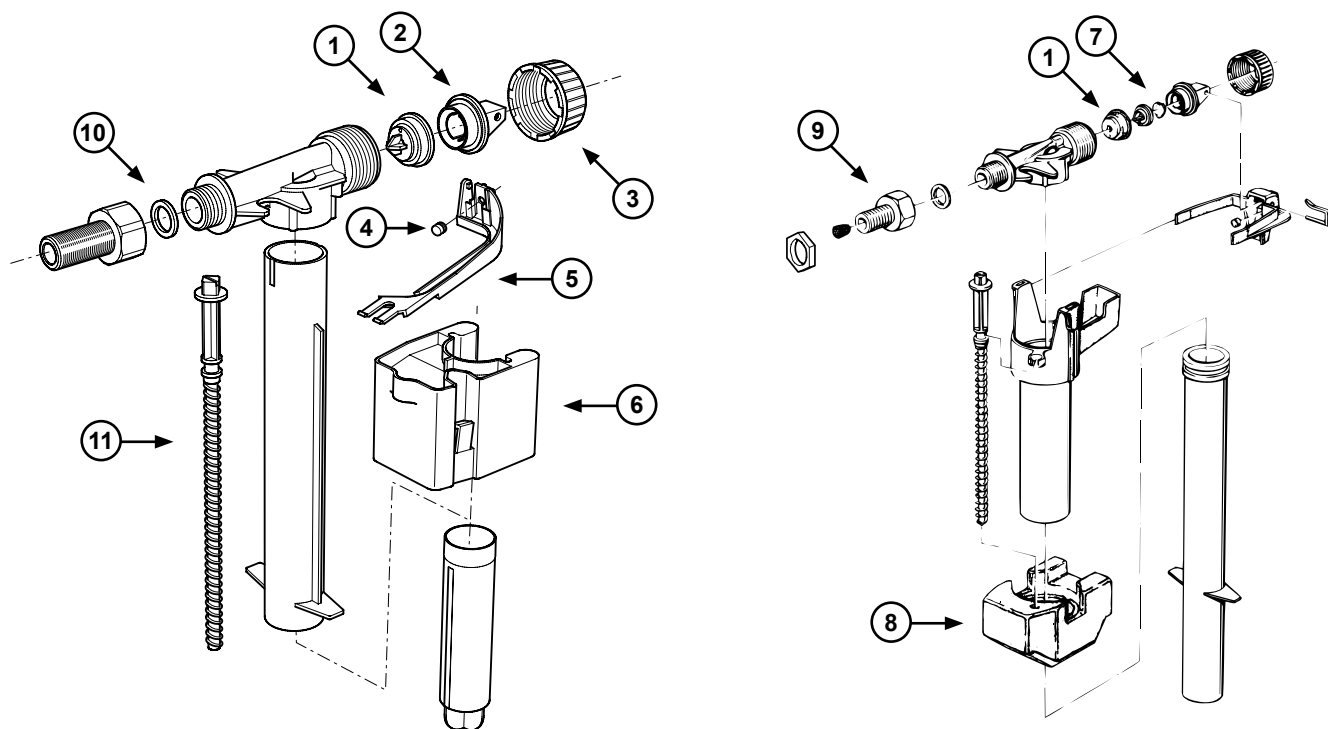
| Pos. | WISA Art. nr. | Description |
|------|---------------|--|
| 1 | 8035432795 | Fill valve HVK G 3/8 |
| 2 | 8050800507 | Flush valve WISA 1170 including rubber seal |
| 3 | 1411988440 | Flush valve rubber seal |
| 4 | 8050882450 | Seal for flush pipe |
| 5 | 8050800078 | Fixation kit, including 8050882450 |
| 6 | 8050411001 | Cover WISA 1170 with flushing button white |
| | 8050411003 | Cover WISA 1170 with flushing button beige |
| | 8050889910 | Cover WISA 1170 with flushing button manhattan |
| | 8050889914 | Cover WISA 1170 with flushing button pergamon |
| 7 | 8050883652 | Bridging piece WISA 1170 |
| 8 | 8050883653 | Lever WISA 1170 |
| 9 | 8050882382 | Nut cover cap white |
| | 8050886394 | Nut cover cap beige |
| | 8050886379 | Nut cover cap manhattan |
| | 8050886397 | Nut cover cap pergamon |
| 10 | 8050883750 | Closing cap white |
| | 8050883752 | Closing cap beige |
| | 8050883757 | Closing cap pergamon |
| | 8050883769 | Closing cap manhattan |
| 11 | 8050882430 | Nut for flush pipe white |
| | 8050882432 | Nut for flush pipe beige |
| | 8050882224 | Nut for flush pipe manhattan |
| | 8050882227 | Nut for flush pipe pergamon |
| 12 | 8050110101 | Flush pipe 230 x 210 white |
| | 8050110103 | Flush pipe 230 x 210 beige |
| | 8050110110 | Flush pipe 230 x 210 manhattan |
| | 8050110114 | Flush pipe 230 x 210 pergamon |
| 13 | 8050985530 | Flush pipe connector |
| 14 | 1403987112 | Stop valve 1/2" |
| 15 | 1405987118 | Copper connection pipe |
| 16 | 8050883620 | Fixation ring white |
| | 8050883622 | Fixation ring beige |
| | 8050883627 | Fixation ring pergamon |
| | 8050883639 | Fixation ring manhattan |

WISA 1250 / FLAVION



| Pos. | WISA Art. nr. | Description |
|------|---------------|------------------------------------|
| 1 | 8035432795 | Fill valve HVK G 3/8 |
| 2 | 1411988440 | Flush valve rubber seal |
| 3 | 8050882480 | Closing cap white |
| 4 | 8050882382 | Nut cover cap white |
| 5 | 8050882430 | Nut for flush pipe white |
| 6 | 8050110101 | Flush pipe 230 x 210 white |
| 7 | 1401980202 | Leaf spring |
| 8 | 8050882450 | Seal for flush pipe |
| 9 | 8050800078 | Fixation kit, including 8050882450 |
| 10 | 8050985530 | Flush pipe connector |
| 11 | 1403987112 | Stop valve 1/2" |
| 12 | 1405987118 | Copper connection pipe |

WISA UNIVERSAL FILL VALVE



Last production 2000

| Pos. | WISA Art. nr. | Description |
|------|---------------|---|
| 1 | 8050800311 | Rubber membrane with support plate |
| | 8050123011 | 2 x membrane mounted on holder |
| 2 | 8050885463 | Valve lid |
| 3 | 8050885454 | Valve nut |
| 4 | 1411988471 | Valve rubber 5 mm |
| 5 | 8050885414 | Valve lever |
| 6 | 8050885413 | Valve floater |
| 7 | 1411988474 | Insulation |
| 8 | 1409985600 | Styrofoam float (available till stock runs out) |
| 9 | 1405988468 | Thread piece 33 mm x G 3/8 |
| 10 | 1603988164 | Inlet seal |
| 11 | 8050870005 | Set screw |
| | 8050428050 | Sealing set (1, 4, 7 and 10) |




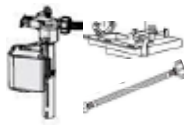


A series of horizontal lines spanning the width of the page, providing a template for writing. The lines are evenly spaced and extend from the left margin to the right edge of the page.



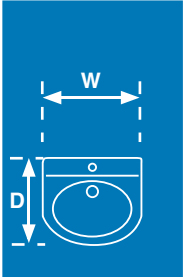
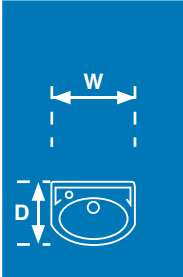
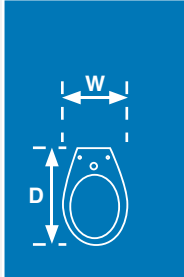

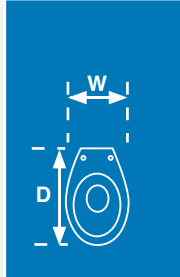
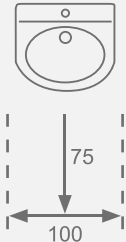

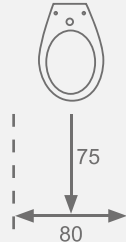

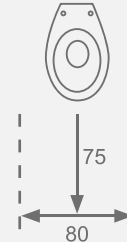
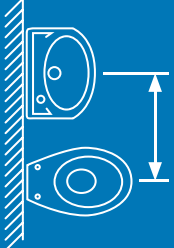









Mounting Instruction - Filling valve for WC flushing cisterns and concealed cisterns

| | | OLD FILL VALVES/SETS | | | NEW FILL VALVES/SETS | |
|----------------------|-----------------|---|--|--------|---|---|
| | |  |  | |  |  |
| All exposed cisterns | | 243292 | | → | 628458 | |
| WC 189/189A/189 DWC | 2/2014 - now | 628458 | | → | 628458 | |
| | 2010 - 2/2014 | 243292 | | → | | 675100 |
| 182/188 | 2/2014 - now | 628458 | | → | 628458 | |
| | 1999 - 2/2014 | 243292 | | → | | 675100 |
| | | | | 359812 | → | |
| 187 | 2/2014 - now | 628458 | | → | 628458 | |
| | 2001 - 2/2014 | 243292 | | → | | 675101 |
| | | | | 361809 | → | |
| 180.xxx | 1992 - 1999 | 243292 | | → | | 675100 |
| | 1992 - 1993 | | 363653 | → | | 363653N |
| 81.000/84.100/80.000 | 1983 - 1996 | 243292 | | → | 628458 | |
| | | | 385768 | → | | 385768N |
| 183.xxx | 1992 - 1999 | 243292 | | → | | 675102 |
| 184.xxx | 1992 - 1999 | 243292 | | → | | 675103 |
| 185.xxxx | 1993 - 1999 | 243292 | | → | | 675105 |
| 186.xxxx | 2002 - 2010 | 243292 | | → | | 675102 |
| 190.xxxx | 1997-2003 | 243292 | | → | | 675104 |
| 192 | 2/2014 - 2020 | 628458 | | → | 628458 | |
| | 2003 - 2/2014 | 243292 | | → | | 675104 |
| 198 | 2/2014 - now | 628458 | | → | 628458 | |
| | 2013 - 2/2014 | 243292 | | → | | 675104 |
| | (IT) 2016 - now | 747EL-SCW | | → | 747E-036-P20 | |
| 134 | | 358720 | | → | 747E-036-P20 | |

UNIT DISTANCES AND DIMENSIONS

| |  |  |  |  |  |
|---|--|--|---|--|--|
| Average measurements | W: 60 D: 55 | W: 50 D: 40 | W: 40 D: 60 | W: 40 D: 40 | W: 40 D: 60 |
| User space |  |  |  |  |  |
| Minimal distance | 80 | - | 70 | 70 | 75 |
| Centre distance | 75 | - | 65 | 65 | 70 |
|  | 70 | 65 | 60 | 60 | 65 |
|  | 70 | 65 | 60 | 60 | 65 |
|  | 75 | 70 | 65 | 65 | - |
| Shower tray  | 50 | 45 | 40 | 40 | 45 |
| Side wall  | 50 | 45 | 40 | 40 | 45 |
| Side walls  | 50 | 45 | 45 | 40 | 45 |

General terms and conditions

Article 1 – General

- 1.1 These general terms and conditions apply to all our offers, tenders, orders performed or to be performed, contracts (including follow-up orders) and their performance.
- 1.2 In these terms and conditions, the “Buyer” refers to any (natural or artificial) person entering into negotiations or contracts with Fluidmaster d.o.o. (the “Seller”) in respect of products or services to be provided by the Seller, also in cases where two or more (natural or artificial) persons are acting together.
- 1.3 Unless expressly agreed otherwise in writing in a specific instance, the Seller expressly rejects the application of the Buyer’s own terms and conditions or any other terms.
- 1.4 If the Seller and the Buyer expressly agree the applicability of the Buyer’s general terms and conditions, that agreement is without prejudice to the applicability of the Seller’s general terms and conditions, with the sole exception of cases where the provisions of the Seller’s general terms and conditions patently conflict with the general terms and conditions of the Buyer in question. In such a case the Buyer’s general terms and conditions shall prevail.
- 1.5 Any variations to these general terms and conditions are only binding on the Seller insofar as they have been expressly accepted in writing by the Seller.
Where the Seller and the Buyer have agreed a variation to these terms in any contract, the Buyer may not under any circumstances rely on that variation in subsequent contracts between the parties. Variations to these general terms and conditions must be expressly agreed in writing again on each occasion.

Article 2 – Formation of contract

- 2.1 All offers, tenders and orders (including offers, tenders and orders made orally) whether in the form of price lists or otherwise and other statements by the Seller and its representatives and/or employees are without obligation.
- 2.2 A contract is formed if an offer made by the Seller (offer without obligation) is accepted in writing by the Buyer. The Seller may withdraw an offer made by it without obligation (even after its acceptance by the Buyer) within a period of seven working days.
- 2.3 An order placed by the Buyer does not become binding on the Seller until the Seller has confirmed the order in writing.
- 2.4 If the Buyer has not contested the correctness and completeness of an order confirmation within seven days after that confirmation is sent out by the Seller, the order confirmation shall be deemed to represent the contract correctly and in full.
- 2.5 In the case of orders, goods and services for which neither an offer nor an order confirmation has been sent out, the invoice and/or delivery note is also regarded as the order confirmation and that invoice is deemed to represent the contract correctly and in full.
- 2.6 Any (further) verbal comments, promises and agreements made by or with the Seller’s subordinates, representatives or other intermediaries are not binding on the Seller unless the (further) arrangements in question are confirmed by the Seller in writing. In this context, “subordinates” are all the Seller’s employees and staff without general commercial power of attorney.
- 2.7 Besides what is stated on the subject in the catalogues and brochures, with respect to all the goods offered the regular and/or usual tolerances shall apply; notably, explicit reservation is made concerning shades in the colours of the goods stated. Slight deviations from the pictures and/or descriptions supplied in the catalogues and brochures shall therefore be reserved. Such deviations shall never discharge the Buyer from his obligations ensuing from the agreement.

Article 3 – Changes to the contract

- 3.1 Changes to the contract of whatever kind will only be effective if they have been agreed by the Seller and the Buyer in writing.
- 3.2 If the Buyer asks for changes in the performance of the contract after its formation, it is up to the Seller to determine whether these changes can still be accepted under the contract and if so on what (further) terms.
- 3.3 In the event of changes of whatever nature to the contract the Buyer may charge on to the Seller the costs involved in making those changes.

Article 4 – Prices

- 4.1 The offered and agreed prices are in euros and exclusive of VAT. Unless expressly agreed otherwise the price does not include other taxes, levies and duties payable by law and the costs of assembly and fitting, shipping, carriage and insurance.
- 4.2 If there is an increase in the prices of the base materials, semi-finished products, materials, resources, components etc. for the sold products before delivery the Seller may charge on the price increase to the Buyer.
- 4.3 Where the price increase is charged on by the Seller to the Buyer within a period of three months after the formation of the contract, the Buyer may dissolve the contract in writing within 14 days after the Seller has notified the price increase in writing. This provision does not apply in the case of increases in import or export duties or other duties, taxes or levies payable in respect of the sold products, base materials or semi-finished products. In the event of such dissolution, the Buyer must indemnify

the Seller for the reasonable costs already incurred by the Seller in that respect.

Article 5 – Payment

- 5.1 Unless another payment period has been agreed in writing the Buyer must pay the whole amount owed by him or (where an advance payment has been made) the remaining amount owed by him in cash on delivery or by payment into or transfer to a bank or giro account specified by the Seller within thirty (30) days of the date of invoice.
- 5.2 The Seller may at all times, including during the performance of the contract, require the Buyer to pay in advance for a contract or to furnish security in some other manner.
- 5.3 If the Buyer fails to pay any amount owed by him within the period set for its payment the Buyer will be in default by operation of law without any further notice of default being required. From the due date of the invoice, the Buyer is liable to pay interest at the rate of 2% per month or part of a month on the amount still outstanding.
- 5.4 Any costs incurred by the Seller, both legal and extrajudicial, for the purposes of enforcing the Buyer’s compliance with his obligations are payable by the Buyer, without any requirement to provide evidence of these costs.
The above costs become due as soon as the debt has been passed to a lawyer, bailiff or debt collection agency irrespective of whether the Buyer is aware that this has been done.
- 5.5 Each payment made by the Buyer will be applied first to settle any interest owed by him, collection costs incurred by the Seller as referred to in the previous paragraph and administration charges, and will thereafter be applied in settlement of the oldest outstanding invoice.
- 5.6 The Buyer may not deduct any amount from the purchase price or set off against the purchase price any counterclaim that the Buyer may have against the Seller, nor may the Buyer suspend performance of his payment obligation.
- 5.7 If the Buyer is in default of payment for a delivery or part-delivery the Seller may suspend performance of any further delivery orders or other work still to be performed, without prejudice to the Seller’s right to cancel the deliveries finally after having issued a notice of default and to demand payment of everything owed to the Seller at that point and also without prejudice to the Seller’s right to damages in that respect.
- 5.8 Where the Buyer consists of more than one natural or artificial person all the persons in question are jointly and severally liable in full for compliance with the Buyer’s obligations.
- 5.9 All the Buyer’s obligations towards the Seller become immediately due and payable if the Buyer does not comply promptly with his payment obligations or if the Buyer has applied for suspension of payment, is declared bankrupt or in a state of liquidation, or attachment is made against him, and in that case the Seller may also dissolve concluded contracts without the intervention of the courts in accordance with the provisions of article 14 of these general terms and conditions and is then entitled to repossess all the products supplied by it; all without prejudice to the Seller’s right to be indemnified for losses suffered, including loss of profit, carriage and storage costs, interest etc.

Article 6 – Moulds

- 6.1 Where the Seller is to be responsible for manufacturing, altering or improving a mould, form, tool or similar item on the Buyer’s behalf, the Seller will only proceed with that work once the Buyer has paid the agreed (estimated) manufacturing cost to the Seller.
- 6.2 If the Buyer makes moulds, forms, tools and similar items available to the Seller for the manufacture of products by the Seller, the Seller will not be required to return the moulds, forms, tools and similar items to the Buyer until the Buyer has paid the Seller all amounts payable to the Seller in respect of work performed and products supplied or in any other respect.
- 6.3 The Seller is not liable for loss of or damage to moulds, forms, tools and similar items made available by the Buyer except in the case of wilful misconduct or gross negligence on the part of the Seller, in which case the Seller will at its choice repair or replace the damaged or lost items or compensate the Buyer for them.
- 6.4 Moulds, forms, tools and similar items manufactured by the Seller for the Buyer or manufactured wholly or partly in accordance with the Seller’s instructions and for which the agreed manufacturing costs have been paid by the Buyer will be retained by the Seller on the Buyer’s behalf for a period of one year after delivery of the last order placed with the Seller by the Buyer. On the expiry of that period the Seller will hand over the moulds, forms, tools and similar items to the Buyer on the Buyer’s written request. If the Buyer does not within the above period request the Seller in writing to hand over the moulds, forms, tools and similar items, the Seller’s obligation to hand over the moulds, forms, tools and similar items to the Buyer will end.
- 6.5 If the Seller has stated in writing the number of products for which a mould, form, tool or similar item can normally be used, the mould, form, tool or similar item will be deemed no longer suitable for further production once that number of products has been produced. If no such written statement has been made, the Seller will notify the Buyer immediately as soon as it appears to the Seller that a mould, form, tool or similar item is no longer suitable for production, all at the Seller’s sole assessment. In

that case the Seller will also advise the Buyer of the costs involved in re-pairing or as appropriate re-manufacturing the mould, form, tool or similar item.

Article 7 – Intellectual property rights

- 7.1 The Seller expressly reserves to itself all rights to and arising from intellectual property rights, such as model rights, copyrights and patents, in respect of the designs, drawings and models, products, moulds, forms, tools and similar items made by it and also in respect of the production methods used by it.
- 7.2 All designs, drawings, models, estimates, diagrams, quality manuals and similar items provided by the Seller remain the Seller's property and must be sent back to the Seller immediately on its request. Except with the Seller's express permission in writing they may not, either in whole or in part, be copied, handed over to third parties or made available to third parties for inspection, or used by the Buyer for the production of goods or services to which they relate.

Article 8 – Third-party claims

- 8.1 Where products are fabricated by the Seller using designs, drawings, models, moulds, forms or tools or other instructions in the most general sense of the term which the Seller has received from the Buyer, the Buyer guarantees that the manufacture and/or supply of the products in question does not infringe third-party intellectual property rights. The Buyer indemnifies the Seller in that respect.
- 8.2 If a third party objects to the manufacture or supply of products as referred to in the previous paragraph on the basis of an alleged intellectual property right, the Seller may discontinue the manufacture and/or supply of the products immediately and claim reimbursement of the costs incurred from the Buyer.

Article 9 – Delivery and delivery times

- 9.1 Delivery is ex works according to Incoterms 2010 unless agreed otherwise in writing.
- 9.2 Agreed or stated delivery times are not to be regarded as conditions going to the heart of the contract unless expressly agreed otherwise in writing. Failure to deliver on time does not under any circumstances entitle the Buyer to compensation for any direct or indirect loss suffered by the Buyer or by third parties unless there has been wilful misconduct or gross negligence by the Seller.
- 9.3 If it becomes clear that the Seller will be unable to meet its obligations regarding the delivery time, the Seller will notify the Buyer of this without delay, stating the anticipated period by which the delivery time will be exceeded.

Article 10 – Carriage

- 10.1 The Buyer and the Seller may agree that the goods to be supplied will be carried by the Seller for the Buyer's account and risk. Where the Buyer has not provided any further instructions to the Seller, the manner of transport, consignment, packaging etc. will be determined by the Seller in accordance with good commercial practice without any liability attaching to the Seller in that respect. Any specific wishes that the Buyer may have regarding the carriage or consignment will be implemented only if the Buyer has stated that he will bear the additional costs involved.
- 10.2 All due freight charges, import and export duties, station storage, security and clearing costs, taxes and other levies are payable by the Buyer unless expressly agreed otherwise.
- 10.3 The carriage of all products, including those carried on behalf of the Seller, is for the Buyer's account and risk, even if the carrier demands that the clause stating that all transport losses are for the sender's account and risk is included on waybills, delivery addresses etc.
- 10.4 The Seller may charge to the Buyer the costs of any transport insurance taken out by the Seller.
- 10.5 The acceptance of the goods by the carrier without any comment on the consignment note or the receipt shall count as proof that the packing was in a good state.

Article 11 – Returns

- 11.1 If the Buyer refuses to take receipt of the purchased products or returns them to the Seller without the Seller having agreed to that return in writing the Seller may store the refused or returned products for the Buyer's account and risk and keep them available for the Buyer; no acknowledgement of the correctness of any complaints may be derived from the Seller's action in doing so.
- 11.2 The return of goods does not release the Buyer from his payment obligations in any respect whatsoever.
- 11.3 The actual costs arising from or incurred in connection with returns of goods and the steps taken by the Seller as a result will be charged by the Seller to the Buyer by the provision of a detailed statement of these costs to the Buyer.
- 11.4 Return consignments of goods are also for the Buyer's account and risk.

Article 12 – Reservation of title

- 12.1 All products supplied remain the sole property of the Seller until such times as all amounts owed by the Buyer to the Seller both under the contract and as a result of failure to comply with such contracts have been paid in full by the Buyer, even where security has been furnished for payment.

- 12.2 Without prejudice to what has been stated on payment in article 5, the Seller has the right to repossess all the products supplied to the Buyer if the Buyer continues in default of payment of any due and payable amount. The Buyer gives the Seller or the agents appointed by the Seller permission to enter the Buyer's business premises, warehouses, factory premises etc. for that purpose. The Seller will charge the Buyer for the costs involved in the repossession. The Buyer will be credited for the value that the products prove to have on repossession.
- 12.3 The Buyer must not encumber, process or dispose of the products other than in the normal course of his business. If third parties wish to establish or assert any right to the products supplied under reservation of title the Buyer is obliged to inform the Seller of this in writing without delay.
- 12.4 The Seller reserves the right to establish an undisclosed lien to the sold and supplied products in respect of amounts due to the Seller that do not or possibly do not come under the reservation of title. The Buyer declares now for then that he will cooperate in the establishment of such an undisclosed lien at the Seller's first request.
- 12.5 Where the law of the destination country of the purchased products provides possibilities for reservation of title going beyond what is specified above, it is agreed between the parties that these more extensive possibilities are deemed to have been stipulated in the Seller's favour, provided always that where it is not possible to determine objectively which more extensive provisions are meant by the present stipulation the provisions above on reservation of title will continue to apply.

Article 13- Complaints

- 13.1 Complaints of whatever nature do not suspend the Buyer's payment obligation and must be brought to the Seller's notice in writing within the periods set out in this article.
- 13.2 On taking receipt of the products, the Buyer must inspect them to check that they are in accordance with the order or the contract.
- 13.3 Complaints relating to visible defects or damage, including but not limited to shortfalls and wrong designs, weights, quantities or packaging, must be written down on the CMR by the buyer immediately and must be notified to the Seller in writing within one week after taking receipt of the products. Concealed defects or damage must be notified to the Seller within 14 days after the Buyer ought reasonably to have been able to discover the fault. Complaints relating to invoices must be communicated in writing to the Seller at latest within eight days after date of invoice.
- 13.4 Defects in part of the goods delivered shall not give the right to reject the total performance.
- 13.5 The Buyer must enable the Seller to inspect the products complained of in their original state. If the complaint is justified the Seller will at its choice either pay fair compensation to a maximum of the invoice value of the supplied products to which the complaint relates or replace the supplied products free of charge in return for the return of the products originally supplied.

Article 14 – Dissolution/termination

- 14.1 If the Buyer fails to comply or to comply promptly or to comply properly with the obligations arising to him from the contract and is in default, the Seller may dissolve the contract without the intervention of the courts and with immediate effect by a written notification to the Buyer.
- 14.2 If the Buyer is declared bankrupt or in compulsory liquidation, is granted suspension, is subjected to debt rescheduling or otherwise loses control of his assets or parts of them the Seller may also dissolve the contract without the intervention of the courts and without the requirement to issue a notice of default.
- 14.3 Without prejudice to the provisions in paragraphs 1 and 2, the Seller is entitled to be indemnified by the Buyer for the loss, costs, interest etc. incurred by the Seller.

Article 15 – Liability

- 15.1 Except in the case of wilful misconduct or gross negligence on the part of the Seller, the Seller is not liable for any costs, losses and interest that may arise as a direct consequence of (but not limited to):
- acts or omissions by the Buyer, the Buyer's subordinates, or other persons employed by or on behalf of the Buyer;
 - not properly or not promptly executing the order;
 - faults and/or defects in a product (an unsound product);
 - delay or damage to products supplied by it arising during carriage;
 - in consequence of the incorrect and/or improper processing and/or use of products supplied by it;
 - the Buyer's choice of the materials for and/or the quality of the supplied products.
 - Stress Corrosion Cracking
- 15.2 In case of wilful misconduct or gross negligence the Seller's obligation to pay compensation shall not in any circumstances exceed an amount equal to the invoice value of the supplied products. The Seller is not liable for consequential loss of whatever type in any circumstances, not even in the event of wilful misconduct or gross negligence.
- 15.3 Buyer is obliged to compensate Seller for and indemnify against all damages claimed by third parties against Seller with respect to the damage caused by or to the goods delivered.

Article 16 – Force majeure

- 16.1 The agreed delivery times will be extended by periods in which the Seller or its suppliers are prevented from or seriously impeded in complying with

GENERAL TERMS AND CONDITIONS

their obligations due to force majeure.

- 16.2 Where the period of force majeure has lasted for two months or where it is certain that it will do so, either party has the right to dissolve the contract (or the remaining part of the contract) in writing. That does not result in any obligation to compensate the other party.

Article 17 – Assembly and fitting

- 17.1 Unless agreed otherwise, all responsibility or liability is excluded where products supplied by the Seller are assembled or fitted by parties other than the Seller.
- 17.2 The costs of assembly or fitting by the Seller are not included in the quoted prices and are charged separately unless agreed otherwise.

Article 18 – Guarantees

- 18.1 Subject to what is provided below, the Seller guarantees the soundness and quality of the products supplied by it for the following periods:
Cisterns: ten (10) years, with the exception of rubber parts and electronic items (for flushing techniques), for which a guarantee period of two (2) years and one (1) year respectively applies.
Ceramic products: five (5) years.
Connectors and discharge elbows :ten (10) years.
Toiletseats: five (5) years.
Acrylic shower trays and baths : ten (10) years.
Whirlpoolsystems: two (2) years.
Glass products: two (2) years.
- 18.2 The guarantee period given by the Seller is effective from the date on Seller's invoice.
- 18.3 The Seller may specify a different guarantee period for its products in writing.
- 18.4 Minor variations in quality, dimensions and colour which are technically unavoidable and generally permitted in commercial practice, and normal wear on products and product parts, cannot constitute grounds for a claim under this article.
- 18.5 The Buyer only has a claim against the Seller under this article if the Buyer can produce to the Seller a purchase receipt or invoice for the supplied products.

- 18.6 The guarantee does not apply if the defect, fault or related loss incurred is due to failure to observe the relevant installation instructions, due to an extraneous cause or improper use, or due to repairs or changes having been made to the product by a third party without the Seller's permission in writing.
- 18.7 The Seller will at its choice either repair faulty products free of charge within the guarantee period or replace the products in question with other sound products.
- 18.8 The guarantee does not apply to products that the Seller has expressly excluded from the guarantee, nor to products consisting of remainders or special batches unless the Seller has expressly stated that they are covered by guarantee.

Article 19 – Severability

If any stipulation in these general terms and conditions should prove not to be legally valid, the remaining stipulations shall continue to apply in full. In that case, the invalid stipulation shall be replaced by stipulations the effect of which corresponds as closely as possible to the invalid stipulation, having regard to the intention of the parties.

Article 20 – Choice of law and competent court

- 20.1 Offers by the Seller and the contract between the Seller and the Buyer shall be governed by Slovenian law. This also applies to all contracts entered into with Buyers residing or having their place of business outside Slovenia.
- 20.2 All disputes arising from this legal relationship and contracts flowing from it shall be settled by the court of appropriate jurisdiction for the place where the Seller has its registered office or at the Seller's discretion by the court of appropriate jurisdiction for the Buyer's place of residence or place of business.
- 20.3 Notwithstanding the above provisions, the parties may agree in consultation to have disputes settled by mediation, binding third-party ruling or arbitration.



Tel: 02 559 8662 / P.O. Box 45557 Abu Dhabi

Email: info@verdeuae.com

www.verdeuae.com